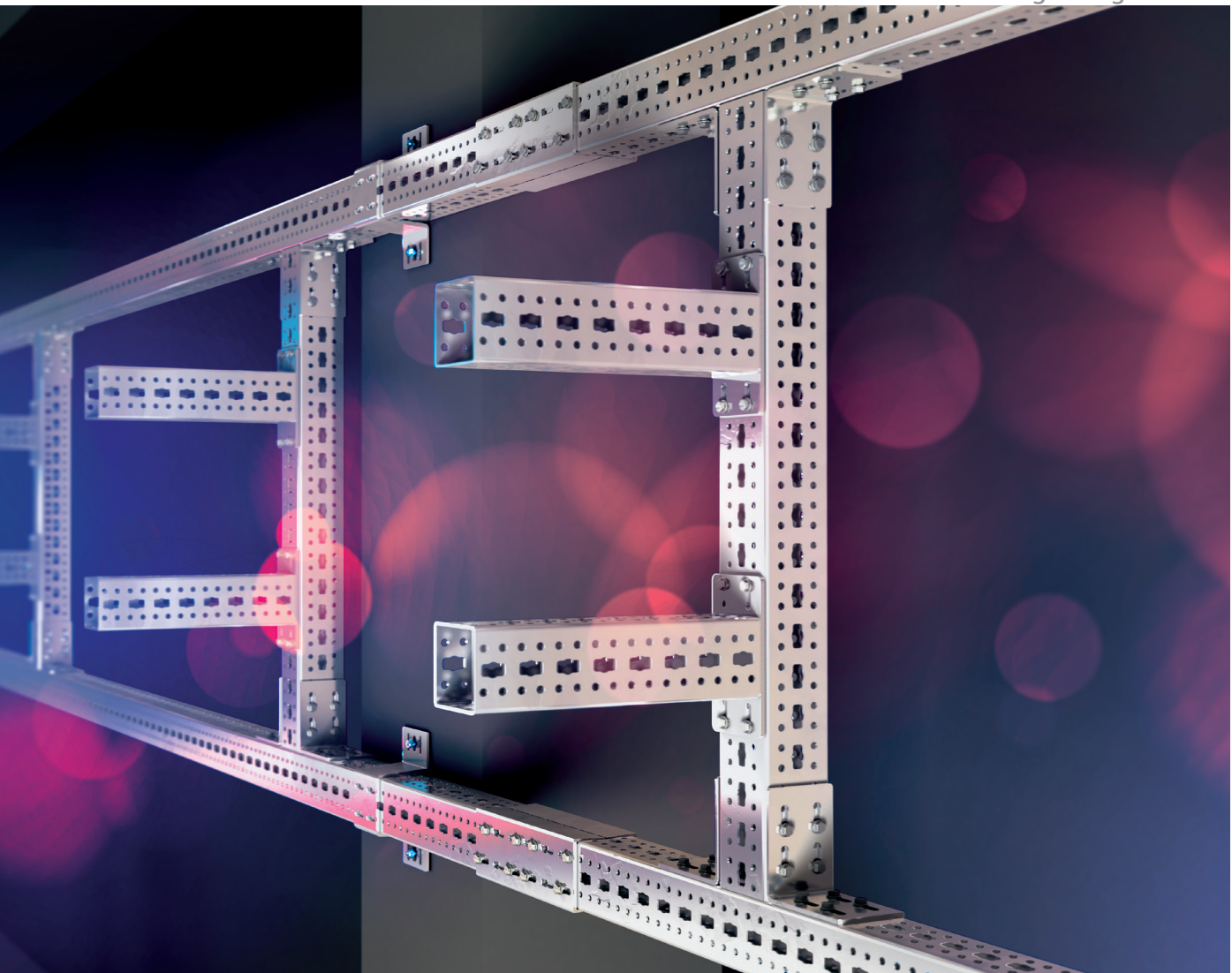




# RSP

New Housing Design Profile



# RSP

Please visit our website for the updated version of our catalogues.  
[www.eaeelectric.com](http://www.eaeelectric.com)



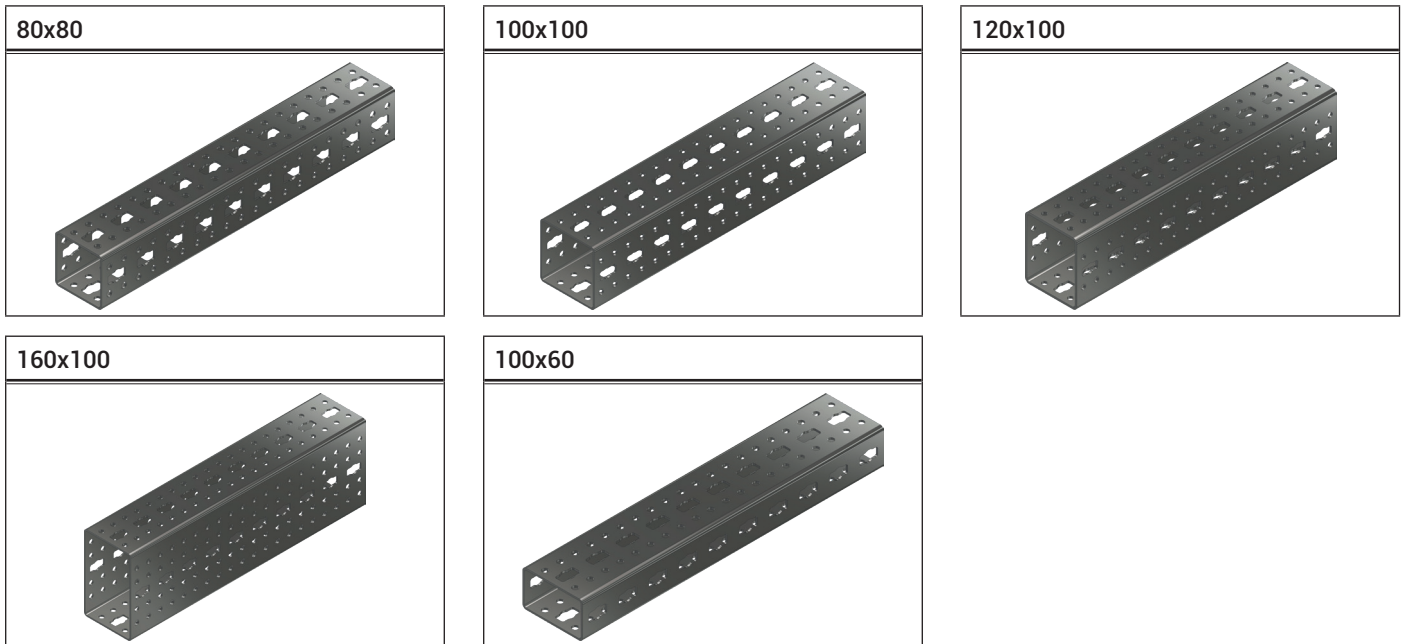
# CONTENTS

---

▶▶ RSP

---

- Industrial, Modular Structure Profile Carriers ..... 4
- Connecting Bolts ..... 5
- Protection Cover ..... 6
- Gusset Mounting ..... 7
- L - Shaped Elbow Bracket ..... 8
- Horizontal Corner Plate ..... 9
- Vertical Corner Plate ..... 10
- Omega Connector Brace ..... 11
- L-Shaped Braced Elbow Bracket ..... 12
- Concrete Mounting Bracket ..... 13
- Concrete Installation Bracket ..... 14
- Beam Assembly Bracket ..... 15
- Beam Console ..... 16
- Beam Pressure Clamp ..... 17
- Horizontal Beam Bracket ..... 18
- Vertical Beam bracket ..... 19
- Beam Securing U Bolt ..... 20
- U-Shaped Floor Bracket ..... 21
- Angle Floor Bracket ..... 22
- Declaration ..... 23



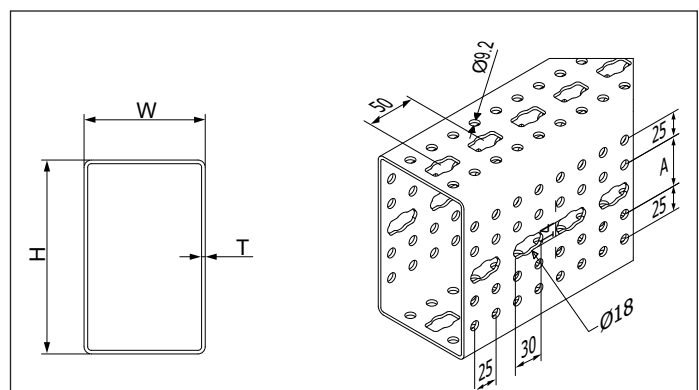
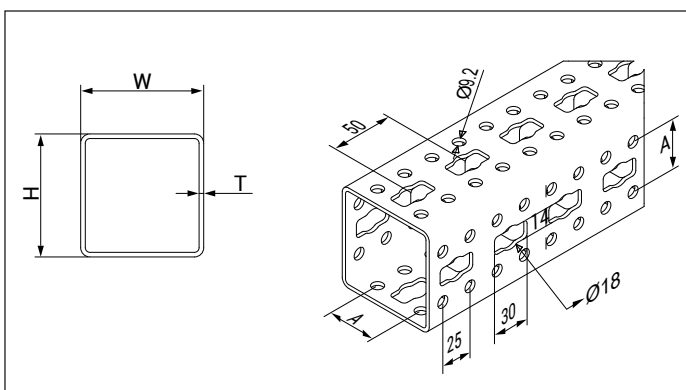
## System Features

- Function: The modular structure is used for profile purposes.
- Accessories: Bolt sets must be ordered separately.

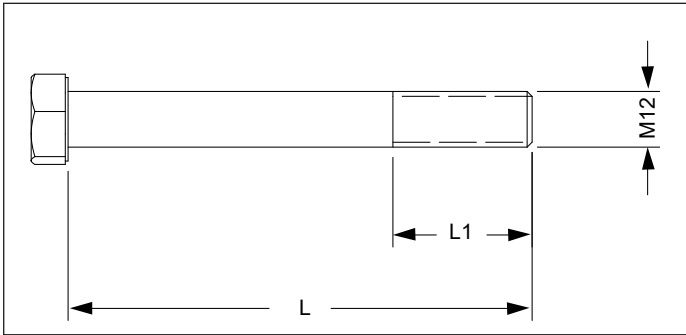
## Technical Information

- Material: Steel
- Surface: Hot Dip Galvanized EN ISO 1461

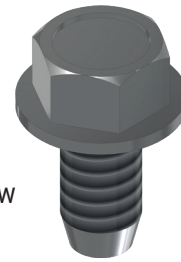
| Product                 | Thickness<br>T<br>(mm) | Height<br>H<br>(mm) | Width<br>W<br>(mm) | A<br>(mm) | Standard Length<br>L<br>(mm) | Hot Dip Galvanized<br>(TS EN ISO 1461) |            |
|-------------------------|------------------------|---------------------|--------------------|-----------|------------------------------|--|------------|
|                         |                        |                     |                    |           |                              | Weight<br>(kg/m)                       | Order Code |
| 80 RSP 80 STD PROFILE   | 3                      | 80                  | 80                 | 40        | 6000                         | 6,309                                  | 3292514    |
|                         | 4                      | 80                  | 80                 | 40        | 6000                         | 8,184                                  |            |
| 100 RSP 60 STD PROFILE  | 3                      | 100                 | 60                 | 50        | 6000                         | 6,584                                  | 3292516    |
|                         | 4                      | 100                 | 60                 | 50        | 6000                         | 8,551                                  |            |
| 100 RSP 100 STD PROFILE | 3                      | 100                 | 100                | 50        | 6000                         | 8,381                                  | 3292518    |
|                         | 4                      | 100                 | 100                | 50        | 6000                         | 10,947                                 |            |
| 120 RSP 100 STD PROFILE | 3                      | 120                 | 100                | 50        | 6000                         | 9,417                                  | 3292520    |
|                         | 4                      | 120                 | 100                | 50        | 6000                         | 12,329                                 |            |
| 160 RSP 100 STD PROFILE | 3                      | 160                 | 100                | 50        | 6000                         | 11,190                                 | 3292522    |
|                         | 4                      | 160                 | 100                | 50        | 6000                         | 14,693                                 |            |



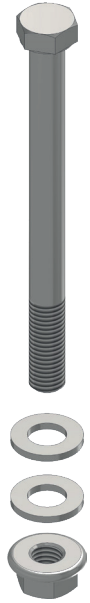




M10x20  
SMART SCREW



AKB BOLT, NUT,  
WASHER SET



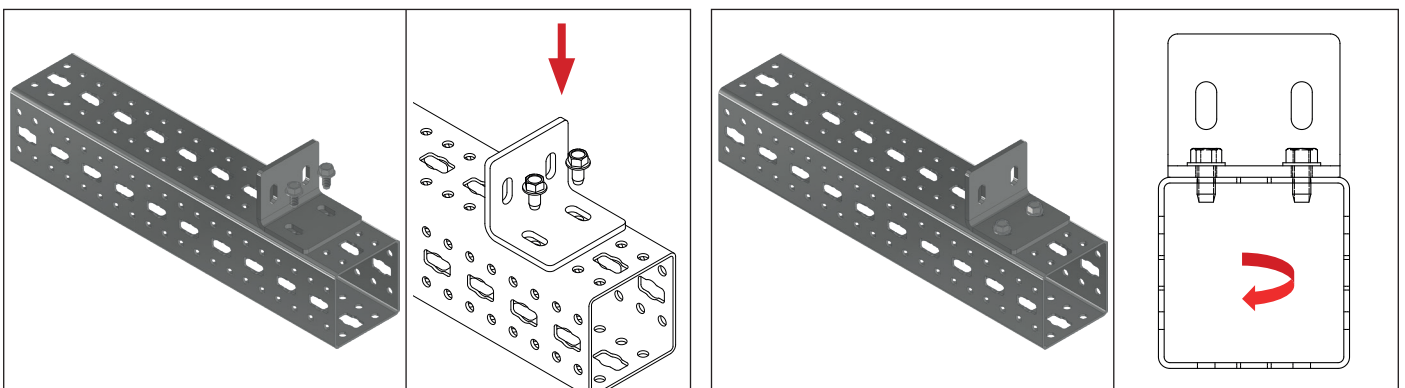
## System Features

- Function: The modular structure is used for profile purposes.
- Accessories: Bolt sets must be ordered separately.

## Technical Information

- Material: Steel
- Surface: Hot Dip Galvanized EN ISO 1461

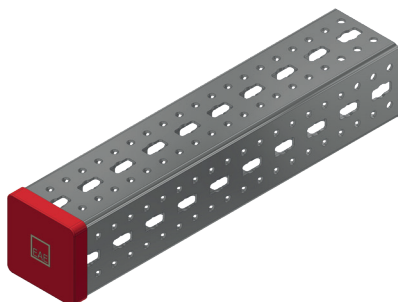
| Product              | Standard Length<br>L<br>(mm) | L1<br>(mm) | Hot Dip Galvanized<br>(TS EN ISO 1461) |            |
|----------------------|------------------------------|------------|--|------------|
|                      |                              |            | Weight<br>(kg/m)                       | Order Code |
| M10X20 RSP-BLT       | 20                           | -          | 0,024                                  | 1041993    |
| M12x100 AKB BOLT SET | 100                          | 30         | 0,124                                  | 3275408    |
| M12x120 AKB BOLT SET | 120                          | 30         | 0,141                                  | 3179534    |
| M12x140 AKB BOLT SET | 140                          | 36         | 0,159                                  | 3179535    |
| M12x150 AKB BOLT SET | 150                          | 36         | 0,168                                  | 3179537    |



# RSP

► Industrial Construction profile

► Protection Cover



## System Features

• Function: The modular structure is used for profile purposes.

## Technical Information

• Material: Plastic

| Product         | Weight (kg./pc.) | Order Code |
|-----------------|------------------|------------|
| 80 RSP 80 PCP   | 0,024            | 1021634    |
| 100 RSP 60 PCP  | 0,024            | 1046946    |
| 100 RSP 100 PCP | 0,034            | 1021635    |
| 120 RSP 100 PCP | 0,039            | 1021636    |
| 160 RSP 100 PCP | 0,049            | 1046947    |

80x80



100x100



120x100

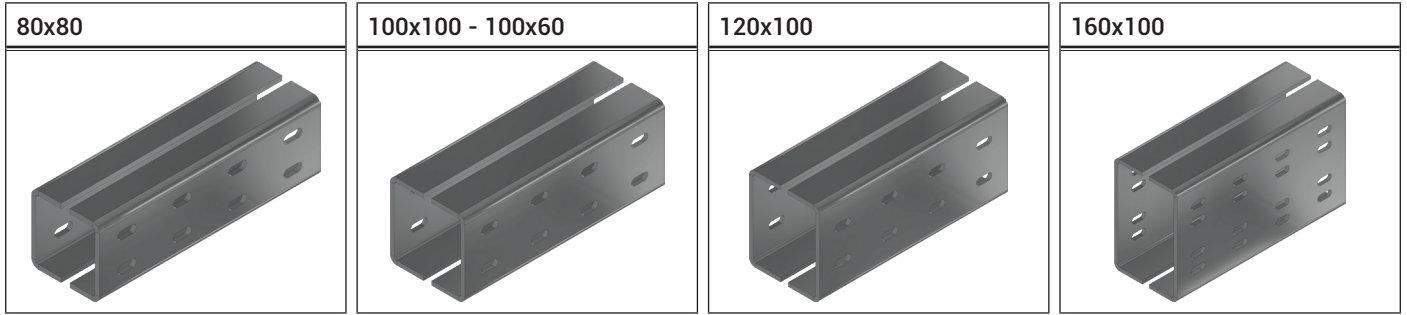


160x100



100x60



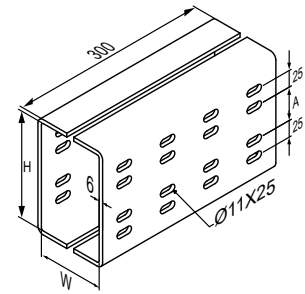


### System Features

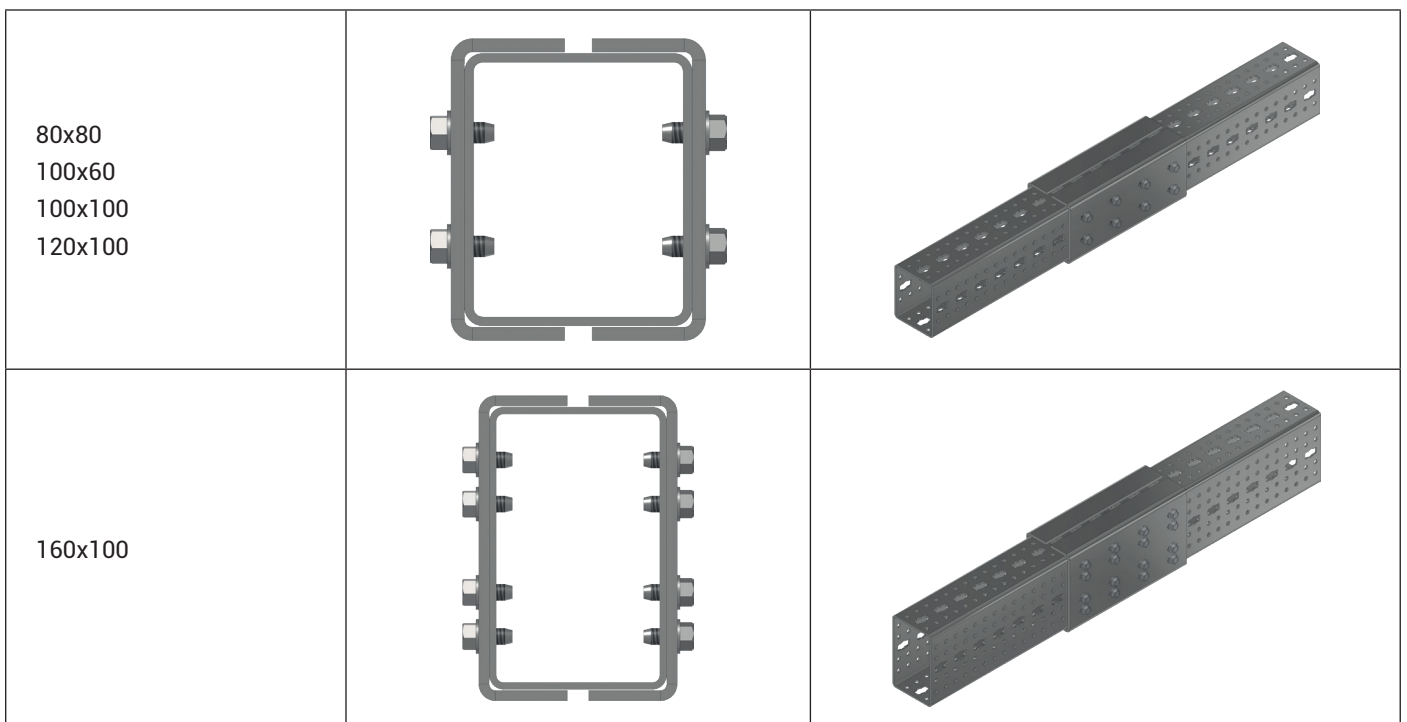
- Function: Profile is used for connection purpose.
- Accessories: Bolt sets must be ordered separately.

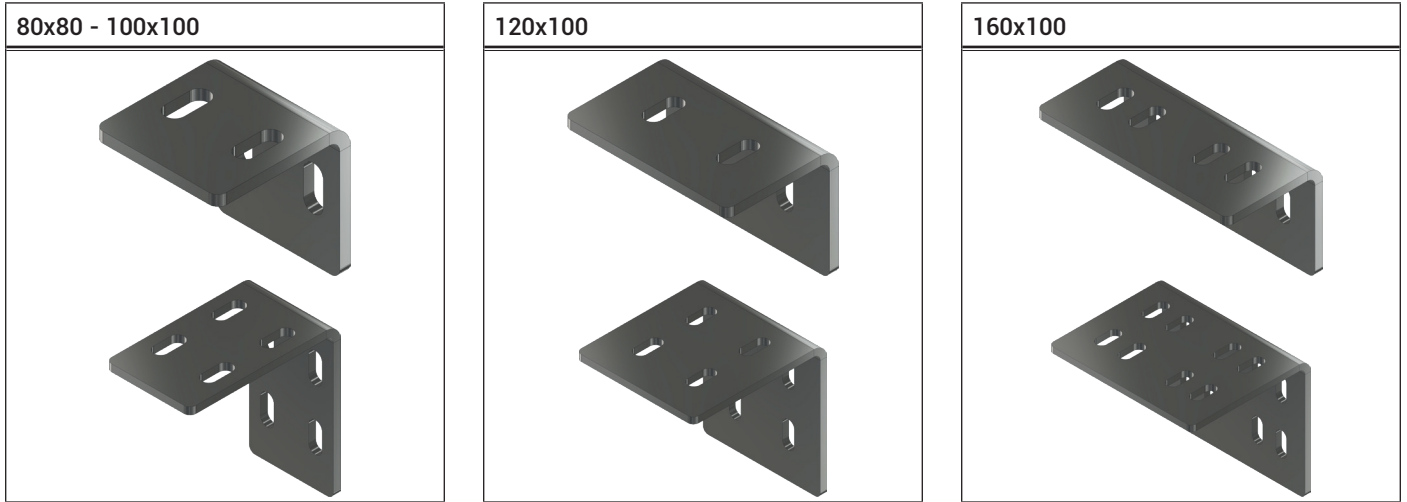
### Technical Information

- Material: Steel
- Surface: Hot Dip Galvanized EN ISO 1461



| Product         | Amount Of Bolts Required | A (mm) | H (mm) | W (mm) | Hot Dip Galvanized (TS EN ISO 1461) |            |
|-----------------|--------------------------|--------|--------|--------|-------------------------------------|------------|
|                 |                          |        |        |        | Weight (kg/m)                       | Order Code |
| 80 RSP 80 JFP   | 8                        | 40     | 81     | 80     | 4,589                               | 3292421    |
| 100 RSP 60 JFP  | 8                        | 50     | 101    | 60     | 2,295                               | 3294547    |
| 100 RSP 100 JFP | 8                        | 50     | 101    | 100    | 5,832                               | 3292422    |
| 120 RSP 100 JFP | 8                        | 50     | 121    | 100    | 6,455                               | 3292423    |
| 160 RSP 100 JFP | 16                       | 50     | 161    | 100    | 7,491                               | 3292424    |



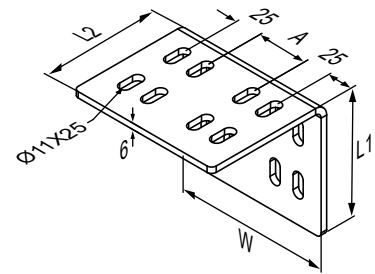


### System Features

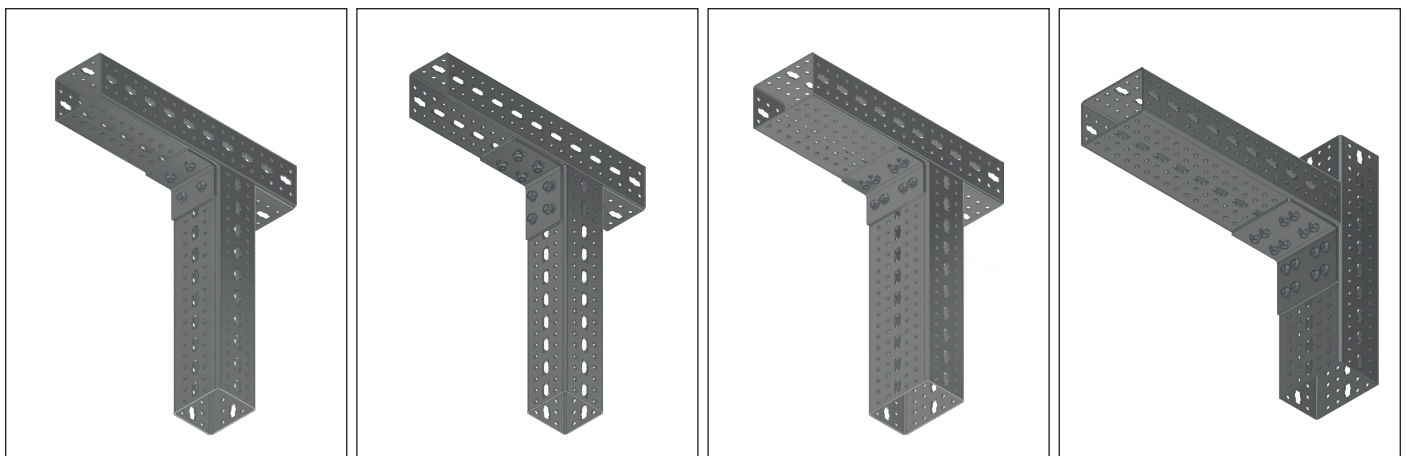
- Function: Profile corner joining
- Accessories: Bolt sets must be ordered separately.

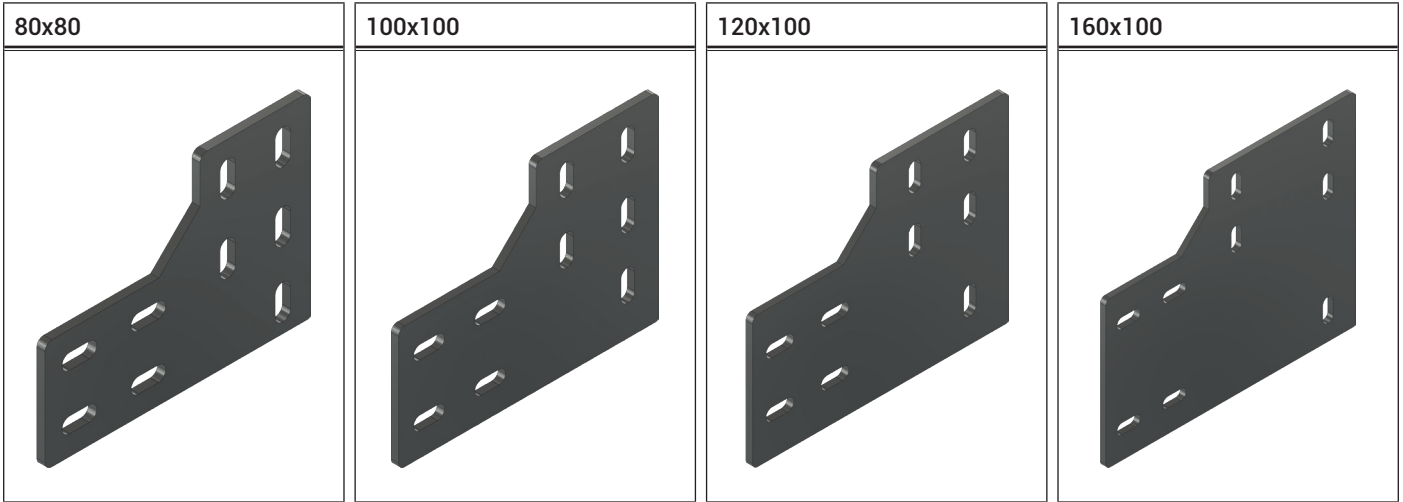
### Technical Information

- Material: Steel
- Surface: Hot Dip Galvanized EN ISO 1461



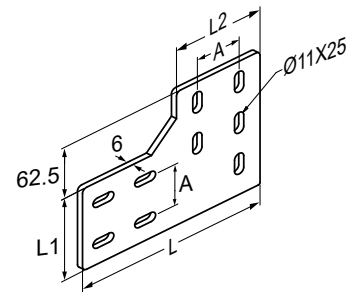
| Product        | Amount Of Bolts Required | W (mm) | L1 (mm) | L2 (mm) | A (mm) | Hot Dip Galvanized (TS EN ISO 1461) |            |
|----------------|--------------------------|--------|---------|---------|--------|-------------------------------------|------------|
|                |                          |        |         |         |        | Weight (kg/m)                       | Order Code |
| 80 RSP 80 L2   | 4                        | 70     | 75      | 75      | 40     | 0,453                               | 3292425    |
| 80 RSP 80 L4   | 8                        | 70     | 125     | 125     | 40     | 0,765                               | 3292426    |
| 100 RSP 100 L2 | 4                        | 90     | 75      | 75      | 50     | 0,598                               | 3292427    |
| 100 RSP 100 L4 | 8                        | 90     | 125     | 125     | 50     | 1,013                               | 3292428    |
| 120 RSP 100 L2 | 4                        | 110    | 75      | 75      | 50     | 0,743                               | 3292429    |
| 120 RSP 100 L4 | 8                        | 110    | 125     | 125     | 50     | 1,261                               | 3292430    |
| 160 RSP 100 L2 | 8                        | 150    | 75      | 75      | 50     | 0,980                               | 3292431    |
| 160 RSP 100 L4 | 16                       | 150    | 125     | 125     | 50     | 1,654                               | 3292432    |





### System Features

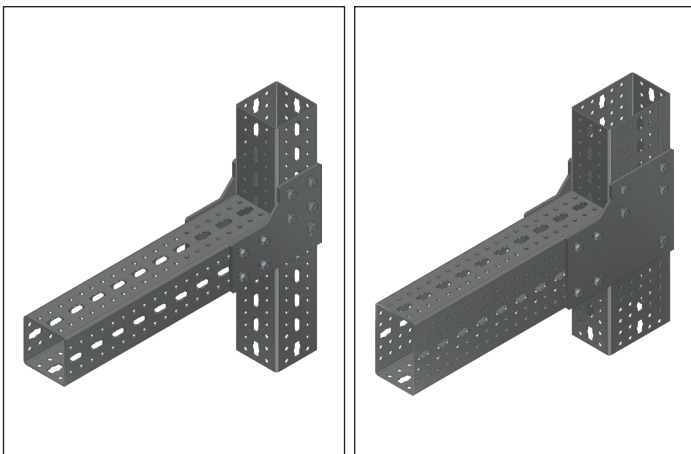
- Function: Profile corner joining.  
It must be mounted on two opposite surfaces!  
One-sided mounting should not be done!
- Accessories: Bolt sets must be ordered separately.

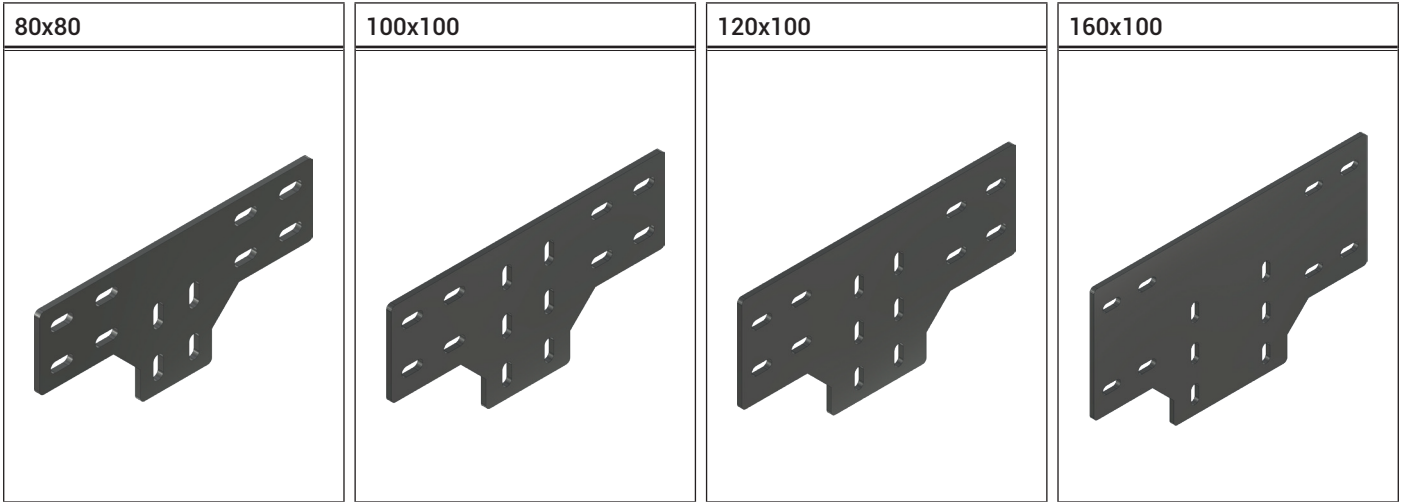


### Technical Information

- Material: Steel
- Surface: Hot Dip Galvanized EN ISO 1461

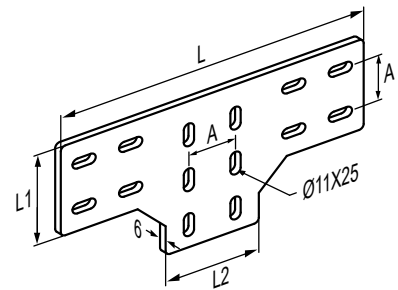
| Product        | Amount Of Bolts Required | L (mm) | L1 (mm) | L2 (mm) | A (mm) | Hot Dip Galvanized (TS EN ISO 1461) |            |
|----------------|--------------------------|--------|---------|---------|--------|-------------------------------------|------------|
|                |                          |        |         |         |        | Weight (kg/m)                       | Order Code |
| 80 RSP 80 LP   | 12                       | 192    | 80      | 142     | 40     | 1,292                               | 3292437    |
| 100 RSP 100 LP | 14                       | 212    | 100     | 162     | 50     | 1,626                               | 3292438    |
| 120 RSP 100 LP | 14                       | 232    | 120     | 182     | 50     | 1,999                               | 3292439    |
| 160 RSP 100 LP | 14                       | 272    | 160     | 222     | 50     | 2,856                               | 3292440    |





### System Features

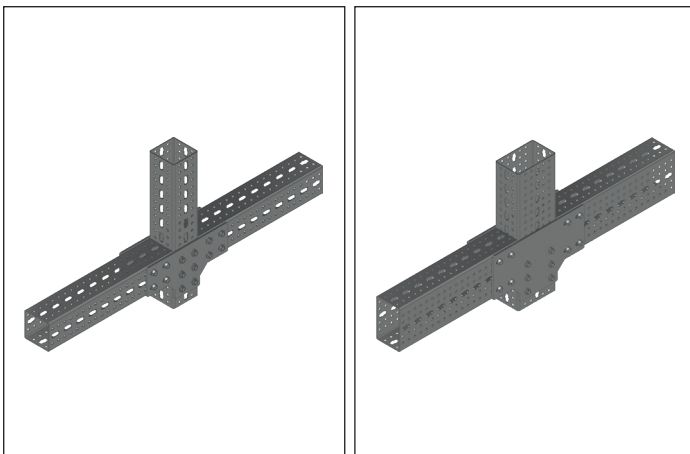
- Function: Profile corner joint.  
It must be mounted on two opposite surfaces!  
One-sided mounting should not be done!
- Accessories: Bolt sets must be ordered separately.



### Technical Information

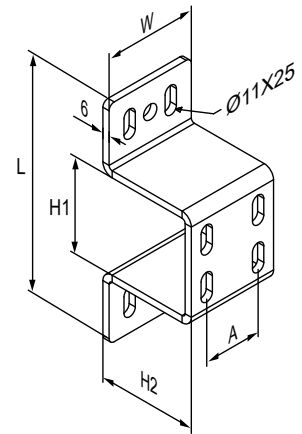
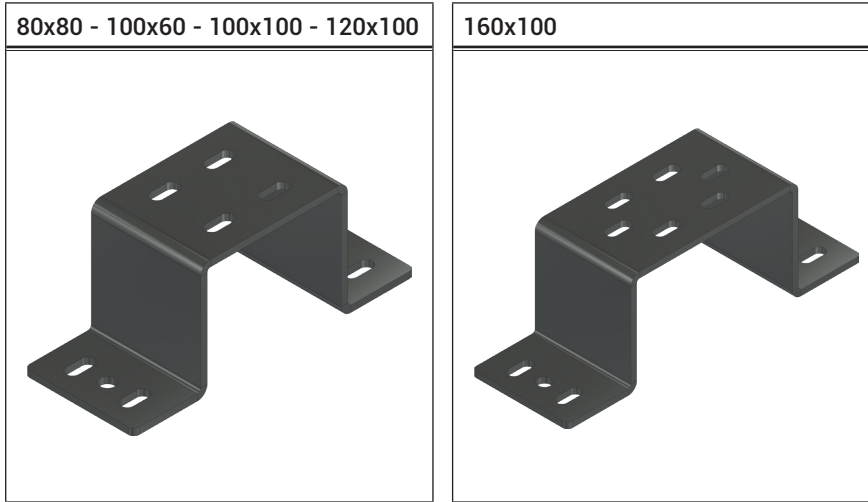
- Material: Steel
- Surface: Hot Dip Galvanized EN ISO 1461

| Product        | Amount Of Bolts Required | L (mm) | L1 (mm) | L2 (mm) | A (mm) | Hot Dip Galvanized (TS EN ISO 1461) |            |
|----------------|--------------------------|--------|---------|---------|--------|-------------------------------------|------------|
|                |                          |        |         |         |        | Weight (kg/m)                       | Order Code |
| 80 RSP 80 TP   | 8                        | 305    | 80      | 80      | 40     | 1,414                               | 3292441    |
| 100 RSP 100 TP | 8                        | 325    | 100     | 100     | 50     | 1,872                               | 3292442    |
| 120 RSP 100 TP | 8                        | 345    | 120     | 120     | 50     | 2,398                               | 3292443    |
| 160 RSP 100 TP | 8                        | 385    | 160     | 160     | 50     | 3,574                               | 3292444    |



# RSP

- Industrial Construction profile
- Omega Connector Brace



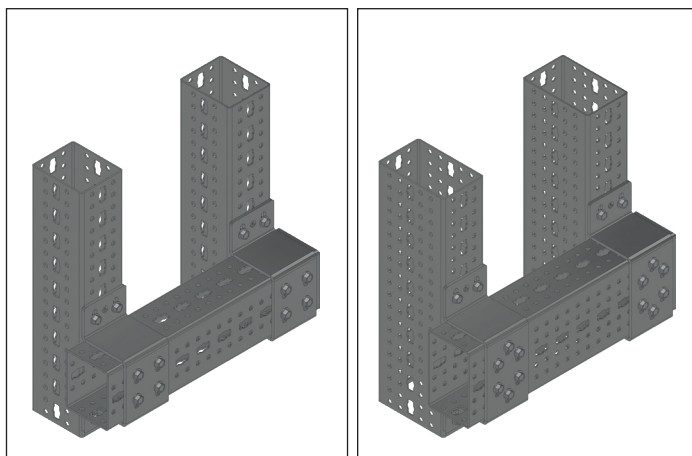
## System Features

- Function: Profile is used for connection purpose.
- Accessories: Bolt sets must be ordered separately.

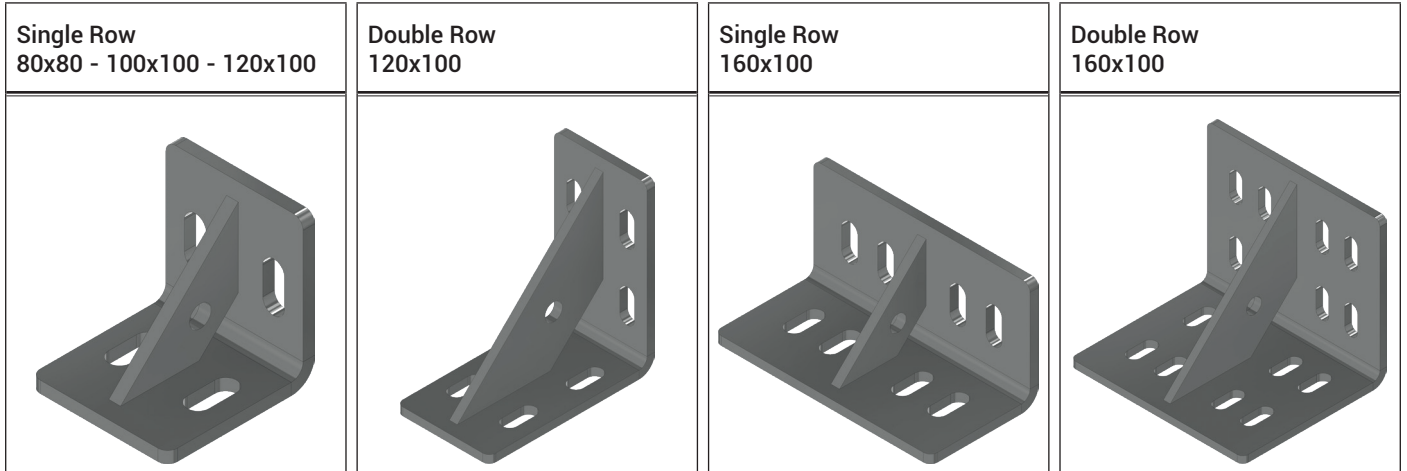
## Technical Information

- Material: Steel
- Surface: Hot Dip Galvanized EN ISO 1461

| Product        | Amount Of Bolts Required | L (mm) | H1 (mm) | H2 (mm) | W (mm) | A (mm) | Hot Dip Galvanized (TS EN ISO 1461) |            |
|----------------|--------------------------|--------|---------|---------|--------|--------|-------------------------------------|------------|
|                |                          |        |         |         |        |        | Weight (kg/m)                       | Order Code |
| 80 RSP 80 OP   | 8                        | 202    | 82      | 86      | 80     | 40     | 1,330                               | 3292446    |
| 100 RSP 60 OP  | 8                        | 246    | 102     | 66      | 100    | 50     | 1,713                               | 3294551    |
| 100 RSP 100 OP | 8                        | 252    | 102     | 106     | 100    | 50     | 2,158                               | 3292447    |
| 120 RSP 100 OP | 8                        | 256    | 122     | 106     | 120    | 50     | 2,179                               | 3292448    |
| 160 RSP 100 OP | 10                       | 306    | 162     | 106     | 160    | 50     | 2,412                               | 3292449    |





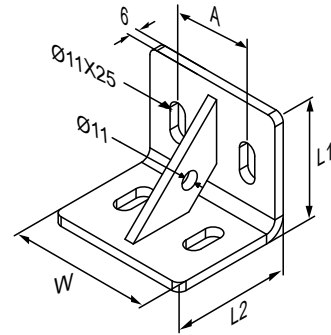


### System Features

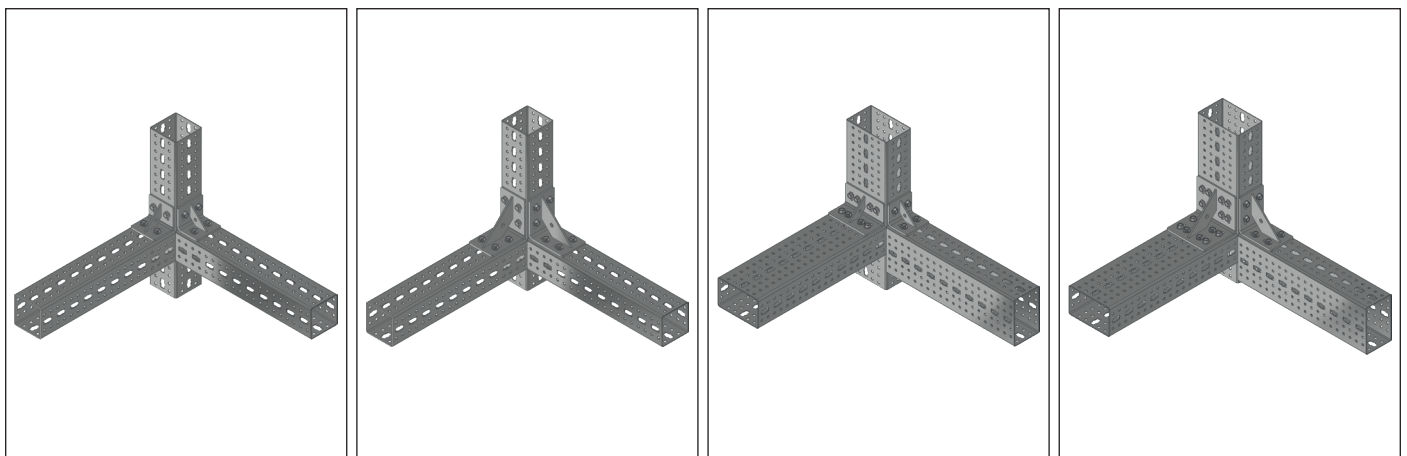
- Function: Profile is used for connection purpose.
- Accessories: Bolt sets must be ordered separately.

### Technical Information

- Material: Steel
- Surface: Hot Dip Galvanized EN ISO 1461



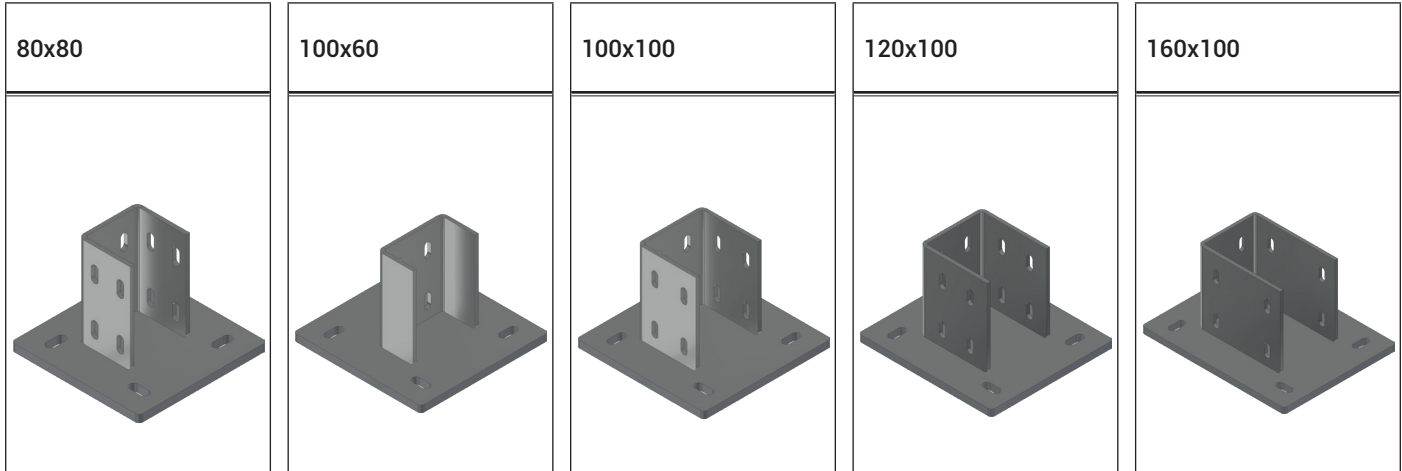
| Product         | Amount Of Bolts Required | A (mm) | W (mm) | L1 (mm) | L2 (mm) | Hot Dip Galvanized (TS EN ISO 1461) |            |
|-----------------|--------------------------|--------|--------|---------|---------|-------------------------------------|------------|
|                 |                          |        |        |         |         | Weight (kg/m)                       | Order Code |
| 80 RSP 80 LS2   | 4                        | 40     | 70     | 75      | 75      | 0,534                               | 3292450    |
| 80 RSP 80 LS4   | 8                        | 40     | 70     | 125     | 125     | 1,032                               | 3292451    |
| 100 RSP 100 LS2 | 4                        | 50     | 90     | 75      | 75      | 0,679                               | 3292452    |
| 100 RSP 100 LS4 | 8                        | 50     | 90     | 125     | 125     | 1,280                               | 3292453    |
| 120 RSP 100 LS2 | 4                        | 50     | 110    | 75      | 75      | 0,824                               | 3292454    |
| 120 RSP 100 LS4 | 8                        | 50     | 110    | 125     | 125     | 1,529                               | 3292455    |
| 160 RSP 100 LS2 | 8                        | 50     | 150    | 75      | 75      | 1,063                               | 3292457    |
| 160 RSP 100 LS4 | 16                       | 50     | 150    | 125     | 125     | 1,924                               | 3292458    |



# RSP

► Industrial Construction profile

► Concrete Mounting Bracket

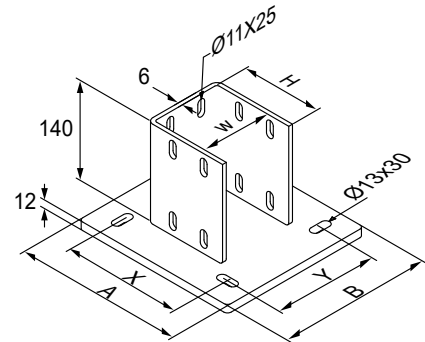


## System Features

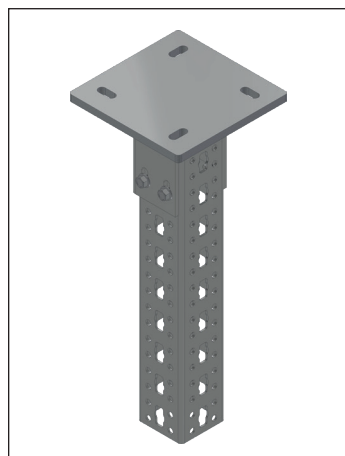
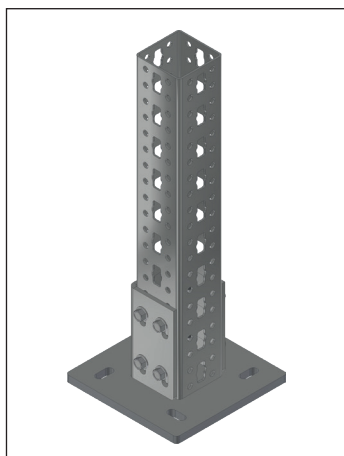
- Function: Concrete mounting bracket; floor plate welded to U-piece Ready for shipment.
- Accessories: Bolt sets must be ordered separately.

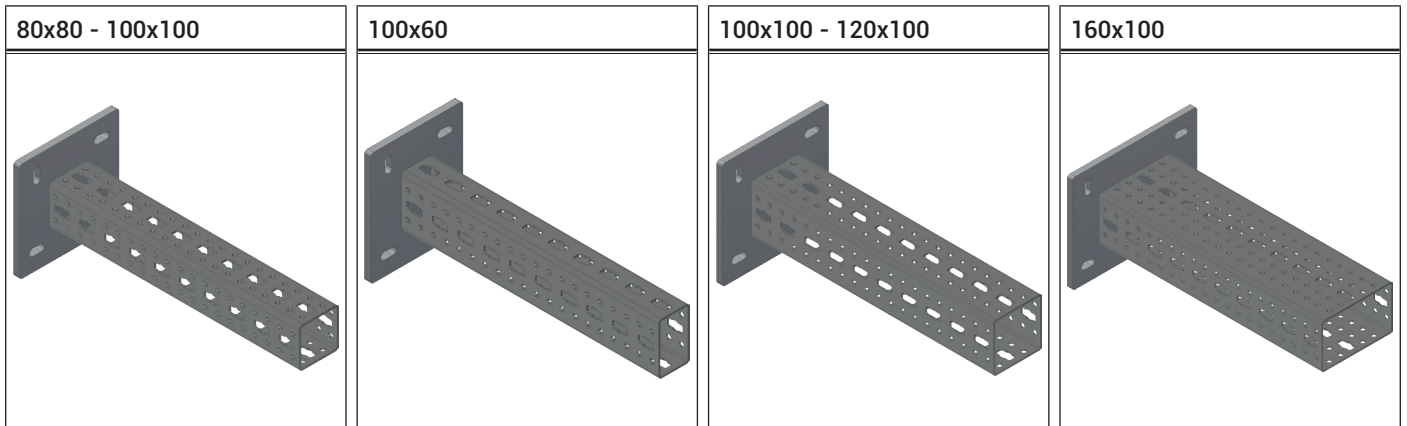
## Technical Information

- Material: Steel
- Surface: Hot Dip Galvanized EN ISO 1461



| Product        | Amount Of Bolts Required | W (mm) | H (mm) | A (mm) | B (mm) | X (mm) | Y (mm) | Hot Dip Galvanized (TS EN ISO 1461) |            |
|----------------|--------------------------|--------|--------|--------|--------|--------|--------|-------------------------------------|------------|
|                |                          |        |        |        |        |        |        | Weight (kg/m)                       | Order Code |
| 80 RSP 80 CP   | 8                        | 81     | 76     | 200    | 200    | 130    | 130    | 5,462                               | 3292459    |
| 100 RSP 60 CP  | 4                        | 101    | 56     | 180    | 220    | 110    | 150    | 6,373                               | 3292460    |
| 100 RSP 100 CP | 8                        | 101    | 96     | 220    | 220    | 150    | 150    | 6,851                               | 3292461    |
| 120 RSP 100 CP | 8                        | 101    | 116    | 240    | 220    | 170    | 150    | 7,597                               | 3292462    |
| 160 RSP 100 CP | 8                        | 101    | 156    | 280    | 220    | 210    | 150    | 9,089                               | 3292463    |



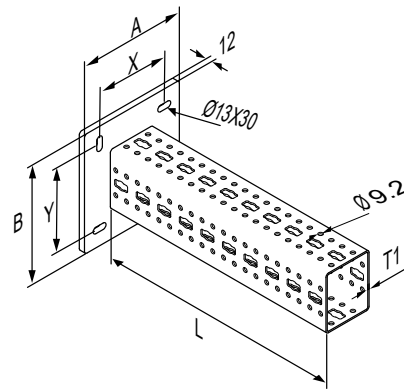


## System Features

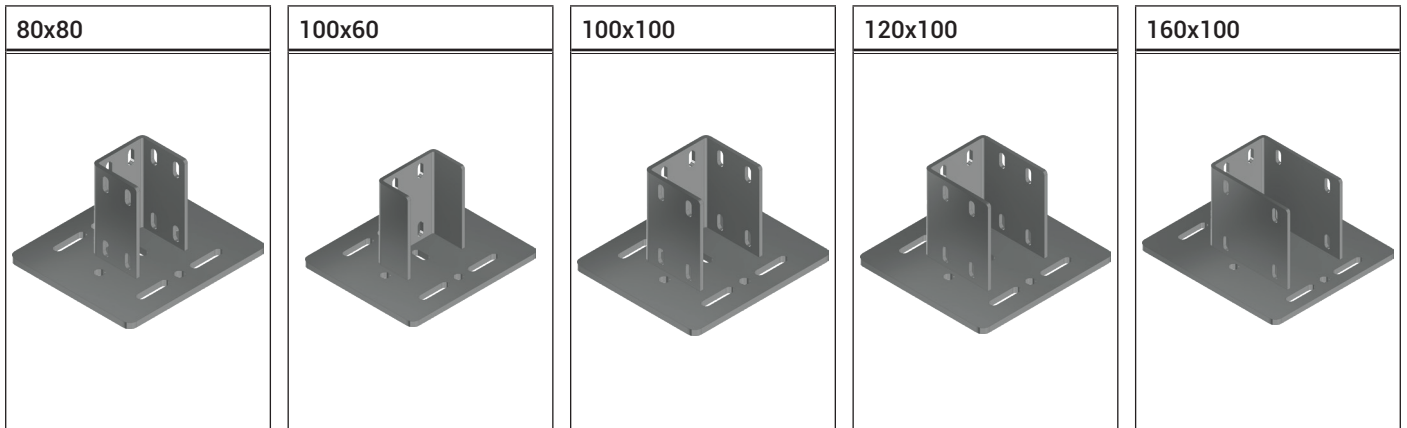
- Function: Profile corner joining
- Accessories: Bolt sets must be ordered separately.

## Technical Information

- Material: Steel
- Surface: Hot Dip Galvanized EN ISO 1461



| Product              | L<br>(mm) | T1<br>(mm) | A<br>(mm) | B<br>(mm) | X<br>(mm) | Y<br>(mm) | Hot Dip Galvanized<br>(TS EN ISO 1461) |               |
|----------------------|-----------|------------|-----------|-----------|-----------|-----------|--|---------------|
|                      |           |            |           |           |           |           | Weight<br>(kg/m)                       | Order<br>Code |
| 80 RSP 80 CPD 500    | 500       | 3          | 200       | 200       | 130       | 130       | 7,149                                  | 3292406       |
| 80 RSP 80 CPD 1000   | 1000      | 3          | 200       | 200       | 130       | 130       | 10,304                                 | 3292407       |
| 80 RSP 80 CPD 1500   | 1500      | 3          | 200       | 200       | 130       | 130       | 13,457                                 | 3292408       |
| 100 RSP 60 CPD 500   | 500       | 3          | 220       | 220       | 150       | 150       | 7,246                                  | 3292409       |
| 100 RSP 60 CPD 1000  | 1000      | 3          | 220       | 220       | 150       | 150       | 10,537                                 | 3292410       |
| 100 RSP 60 CPD 1500  | 1500      | 3          | 220       | 220       | 150       | 150       | 13,171                                 | 3292411       |
| 100 RSP 100 CPD 500  | 500       | 3          | 220       | 220       | 150       | 150       | 9,056                                  | 3292412       |
| 100 RSP 100 CPD 1000 | 1000      | 3          | 220       | 220       | 150       | 150       | 13,246                                 | 3292413       |
| 100 RSP 100 CPD 1500 | 1500      | 3          | 220       | 220       | 150       | 150       | 17,436                                 | 3292414       |
| 120 RSP 100 CPD 500  | 500       | 3          | 240       | 240       | 150       | 170       | 10,030                                 | 3292415       |
| 120 RSP 100 CPD 1000 | 1000      | 3          | 240       | 240       | 150       | 170       | 14,738                                 | 3292416       |
| 120 RSP 100 CPD 1500 | 1500      | 3          | 240       | 240       | 150       | 170       | 19,447                                 | 3292417       |
| 160 RSP 100 CPD 500  | 500       | 3          | 280       | 220       | 210       | 150       | 11,840                                 | 3292418       |
| 160 RSP 100 CPD 1000 | 1000      | 3          | 280       | 220       | 210       | 150       | 17,447                                 | 3292419       |
| 160 RSP 100 CPD 1500 | 1500      | 3          | 280       | 220       | 210       | 150       | 23,054                                 | 3292420       |

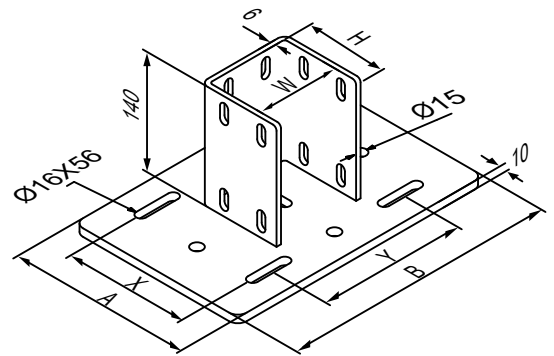


## System Features

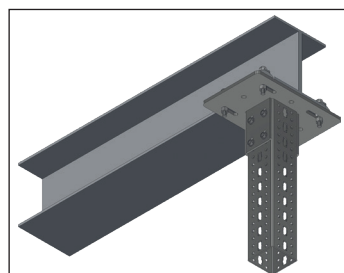
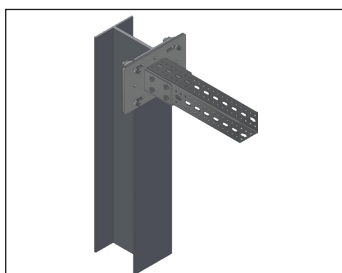
- Function: Profile corner joining
- Accessories: Bolt sets must be ordered separately.

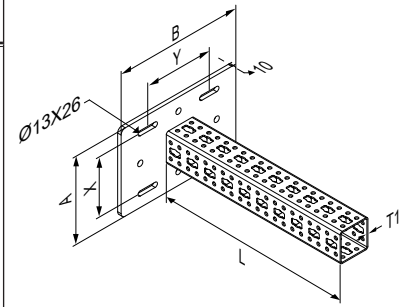
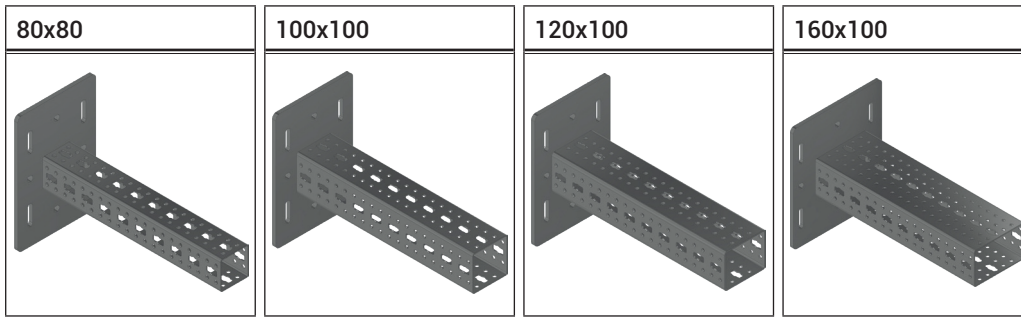
## Technical Information

- Material: Steel
- Surface: Hot Dip Galvanized EN ISO 1461



| Product        | Amount Of Bolts Required | Beam Width (mm) | W (mm) | H (mm) | A (mm) | B (mm) | X (mm) | Y (mm) | Hot Dip Galvanized (TS EN ISO 1461) |            |
|----------------|--------------------------|-----------------|--------|--------|--------|--------|--------|--------|-------------------------------------|------------|
|                |                          |                 |        |        |        |        |        |        | Weight (kg/m)                       | Order Code |
| 80 RSP 80 BP   | 8                        | 42-120          | 81     | 76     | 220    | 250    | 150    | 97     | 5,417                               | 3292464    |
| 80 RSP 80 BP   | 8                        | 121-200         | 81     | 76     | 220    | 330    | 150    | 177    | 6,798                               | 3292465    |
| 80 RSP 80 BP   | 8                        | 201-300         | 81     | 76     | 220    | 430    | 150    | 277    | 8,525                               | 3292466    |
| 100 RSP 60 BP  | 4                        | 42-120          | 101    | 56     | 220    | 250    | 150    | 97     | 5,379                               | 3292467    |
| 100 RSP 60 BP  | 4                        | 121-200         | 101    | 56     | 220    | 330    | 150    | 177    | 6,76                                | 3292468    |
| 100 RSP 60 BP  | 4                        | 201-300         | 101    | 56     | 220    | 430    | 150    | 277    | 8,487                               | 3292469    |
| 100 RSP 100 BP | 8                        | 42-120          | 101    | 96     | 220    | 250    | 150    | 97     | 5,812                               | 3292469    |
| 100 RSP 100 BP | 8                        | 121-200         | 101    | 96     | 220    | 330    | 150    | 177    | 7,194                               | 3292471    |
| 100 RSP 100 BP | 8                        | 201-300         | 101    | 96     | 220    | 430    | 150    | 277    | 8,921                               | 3292472    |
| 120 RSP 100 BP | 8                        | 42-120          | 101    | 116    | 240    | 250    | 170    | 97     | 6,469                               | 3292473    |
| 120 RSP 100 BP | 8                        | 121-200         | 101    | 116    | 240    | 330    | 170    | 177    | 7,976                               | 3292474    |
| 120 RSP 100 BP | 8                        | 201-300         | 101    | 116    | 240    | 430    | 170    | 277    | 9,86                                | 3292475    |
| 160 RSP 100 BP | 8                        | 42-120          | 101    | 156    | 280    | 250    | 220    | 97     | 8,589                               | 3292476    |
| 160 RSP 100 BP | 8                        | 121-200         | 101    | 156    | 280    | 330    | 220    | 177    | 10,524                              | 3292477    |
| 160 RSP 100 BP | 8                        | 201-300         | 101    | 156    | 280    | 430    | 220    | 277    | 12,942                              | 3292478    |





## System Features

- Beam Console Bracket, shipped as required.
- Accessories: Bolt sets must be ordered separately.

## Technical Information

- Material: Steel
- Surface: Hot Dip Galvanized EN ISO 1461

| Product                     | L<br>(mm) | Beam<br>Width<br>(mm) | T1<br>(mm) | A<br>(mm) | B<br>(mm) | X<br>(mm) | Y<br>(mm) | Hot Dip Galvanized<br>(TS EN ISO 1461) |               |
|-----------------------------|-----------|-----------------------|------------|-----------|-----------|-----------|-----------|--|---------------|
|                             |           |                       |            |           |           |           |           | Weight<br>(kg/m)                       | Order<br>Code |
| 80 RSP 80 BPD 500 TYPE 1    | 500       | 42-120                | 3          | 220       | 250       | 150       | 97        | 7,563                                  | 3292378       |
| 80 RSP 80 BPD 1000 TYPE 1   | 1000      | 42-120                | 3          | 220       | 250       | 150       | 97        | 10,716                                 | 3292380       |
| 80 RSP 80 BPD 1500 TYPE 1   | 1500      | 42-120                | 3          | 220       | 250       | 150       | 97        | 13,871                                 | 3292381       |
| 80 RSP 80 BPD 500 TYPE 2    | 500       | 121-200               | 3          | 220       | 330       | 150       | 177       | 9,082                                  | 3292382       |
| 80 RSP 80 BPD 1000 TYPE 2   | 1000      | 121-200               | 3          | 220       | 330       | 150       | 177       | 12,236                                 | 3292383       |
| 80 RSP 80 BPD 1500 TYPE 2   | 1500      | 121-200               | 3          | 220       | 330       | 150       | 177       | 15,390                                 | 3292384       |
| 80 RSP 80 BPD 500 TYPE 3    | 500       | 201-300               | 3          | 220       | 430       | 150       | 277       | 10,981                                 | 3292385       |
| 80 RSP 80 BPD 1000 TYPE 3   | 1000      | 201-300               | 3          | 220       | 430       | 150       | 277       | 14,136                                 | 3292386       |
| 80 RSP 80 BPD 1500 TYPE 3   | 1500      | 201-300               | 3          | 220       | 430       | 150       | 277       | 17,290                                 | 3292387       |
| 100 RSP 100 BPD 500 TYPE 1  | 500       | 42-120                | 3          | 220       | 250       | 150       | 97        | 8,599                                  | 3292388       |
| 100 RSP 100 BPD 1000 TYPE 1 | 1000      | 42-120                | 3          | 220       | 250       | 150       | 97        | 12,789                                 | 3292389       |
| 100 RSP 100 BPD 1500 TYPE 1 | 1500      | 42-120                | 3          | 220       | 250       | 150       | 97        | 16,980                                 | 3292390       |
| 100 RSP 100 BPD 500 TYPE 2  | 500       | 121-200               | 3          | 220       | 330       | 150       | 177       | 10,118                                 | 3292391       |
| 100 RSP 100 BPD 1000 TYPE 2 | 1000      | 121-200               | 3          | 220       | 330       | 150       | 177       | 14,309                                 | 3292392       |
| 100 RSP 100 BPD 1500 TYPE 2 | 1500      | 121-200               | 3          | 220       | 330       | 150       | 177       | 18,499                                 | 3292393       |
| 100 RSP 100 BPD 500 TYPE 3  | 500       | 201-300               | 3          | 220       | 430       | 150       | 277       | 12,018                                 | 3292394       |
| 100 RSP 100 BPD 1000 TYPE 3 | 1000      | 201-300               | 3          | 220       | 430       | 150       | 277       | 16,209                                 | 3292395       |
| 100 RSP 100 BPD 1500 TYPE 3 | 1500      | 201-300               | 3          | 220       | 430       | 150       | 277       | 20,398                                 | 3292396       |
| 120 RSP 100 BPD 500 TYPE 1  | 500       | 42-120                | 3          | 240       | 250       | 170       | 97        | 9,548                                  | 3292397       |
| 120 RSP 100 BPD 1000 TYPE 1 | 1000      | 42-120                | 3          | 240       | 250       | 170       | 97        | 14,257                                 | 3292398       |
| 120 RSP 100 BPD 1500 TYPE 1 | 1500      | 42-120                | 3          | 240       | 250       | 170       | 97        | 18,965                                 | 3292399       |
| 120 RSP 100 BPD 500 TYPE 2  | 500       | 121-200               | 3          | 240       | 330       | 170       | 177       | 11,206                                 | 3292400       |
| 120 RSP 100 BPD 1000 TYPE 2 | 1000      | 121-200               | 3          | 240       | 330       | 170       | 177       | 18,827                                 | 3292401       |
| 120 RSP 100 BPD 1500 TYPE 2 | 1500      | 121-200               | 3          | 240       | 330       | 170       | 177       | 20,623                                 | 3292402       |
| 120 RSP 100 BPD 500 TYPE 3  | 500       | 201-300               | 3          | 240       | 430       | 170       | 277       | 10,636                                 | 3292403       |
| 120 RSP 100 BPD 1000 TYPE 3 | 1000      | 201-300               | 3          | 240       | 430       | 170       | 277       | 17,987                                 | 3292404       |
| 120 RSP 100 BPD 1500 TYPE 3 | 1500      | 201-300               | 3          | 240       | 430       | 170       | 277       | 22,695                                 | 3292405       |
| 160 RSP 100 BPD 500 TYPE 1  | 500       | 42-120                | 3          | 280       | 250       | 220       | 97        | 11,298                                 | 3294597       |
| 160 RSP 100 BPD 1000 TYPE 1 | 1000      | 42-120                | 3          | 280       | 250       | 220       | 97        | 16,8938                                | 3294598       |
| 160 RSP 100 BPD 1500 TYPE 1 | 1500      | 42-120                | 3          | 280       | 250       | 220       | 97        | 22,4884                                | 3294599       |
| 160 RSP 100 BPD 500 TYPE 2  | 500       | 121-200               | 3          | 280       | 330       | 220       | 177       | 13,233                                 | 3294600       |
| 160 RSP 100 BPD 1000 TYPE 2 | 1000      | 121-200               | 3          | 280       | 330       | 220       | 177       | 18,827                                 | 3294601       |
| 160 RSP 100 BPD 1500 TYPE 2 | 1500      | 121-200               | 3          | 280       | 330       | 220       | 177       | 24,4233                                | 3294602       |
| 160 RSP 100 BPD 500 TYPE 3  | 500       | 201-300               | 3          | 280       | 480       | 220       | 277       | 15,6508                                | 3294603       |
| 160 RSP 100 BPD 1000 TYPE 3 | 1000      | 201-300               | 3          | 280       | 480       | 220       | 277       | 21,2454                                | 3294604       |
| 160 RSP 100 BPD 1500 TYPE 3 | 1500      | 201-300               | 3          | 280       | 480       | 220       | 277       | 26,841                                 | 3294605       |

# RSP

- ▶▶ Industrial Construction profile
- ▶ Beam Pressure Clamp

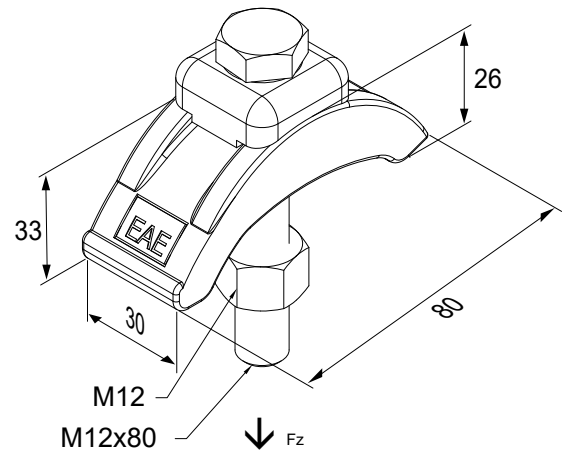


## System Features

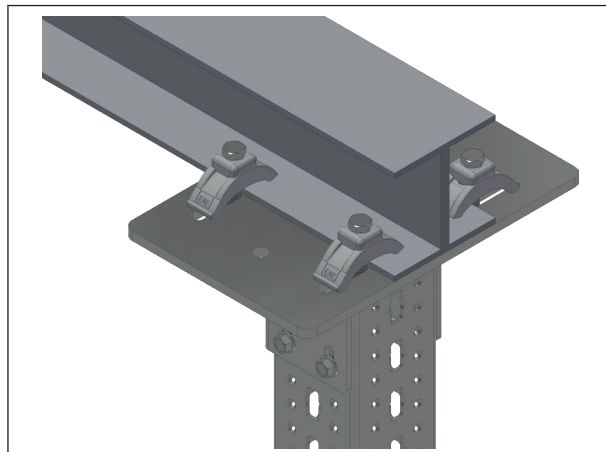
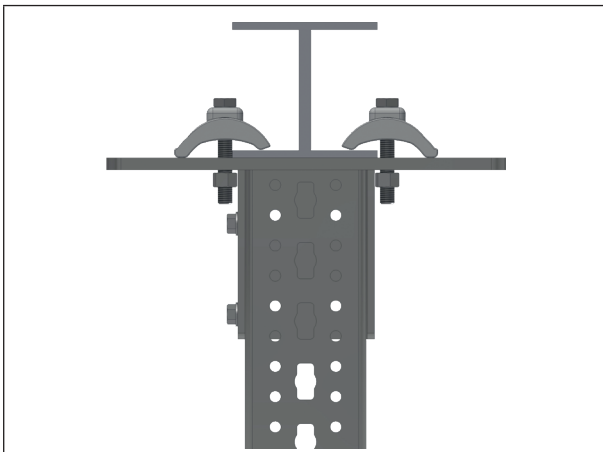
- Compatible with beams of 42mm-300mm width. (B)
- Compatible with beams with a thickness of 3-12mm. (tf)
- 15° adjustable angle.
- The carrying capacity given in the table is the load that can be applied to 1 beam clamp. (6.0 kN)
- The product must be tightened to the specified maximum torque. (85Nm)
- The beam clamps should be used in pairs.
- 1 set: It consists of 1 beam clamp + 1 12x80 Bolt + M12 nut.

## Technical Information

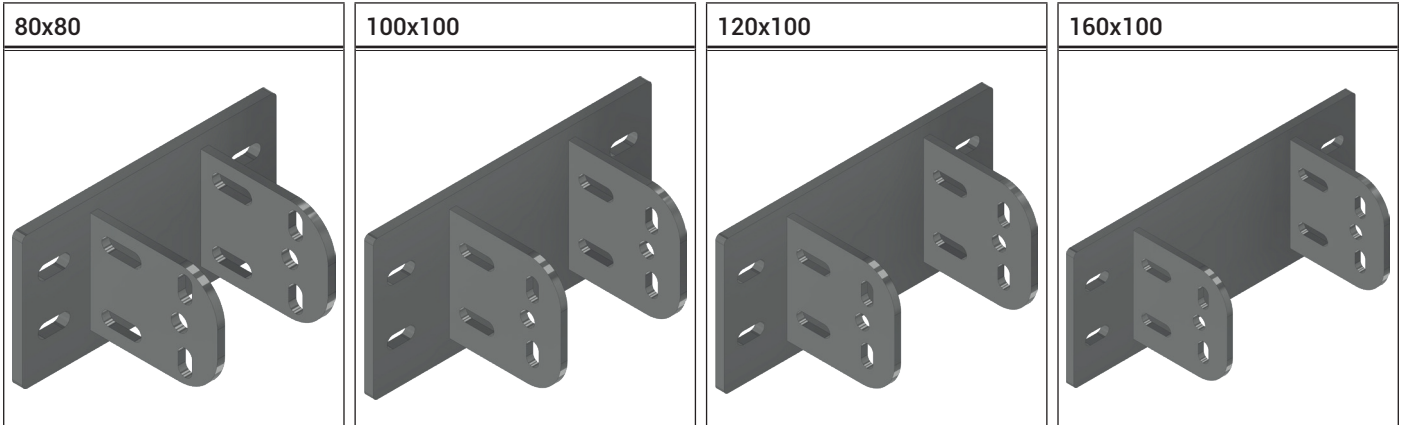
- Material: Cast Iron
- Surface: Zinc Plated



| Product | Fz (kN) | Maximum Tightening Torque (Nm) | Hot Dip Galvanized (TS EN ISO 1461) |            |
|---------|---------|--------------------------------|-------------------------------------|------------|
|         |         |                                | Weight (kg/m)                       | Order Code |
| IM      | 6       | 85                             | 0,43                                | 1021241    |





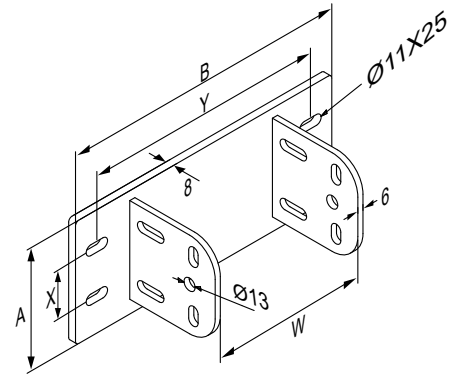


### System Features

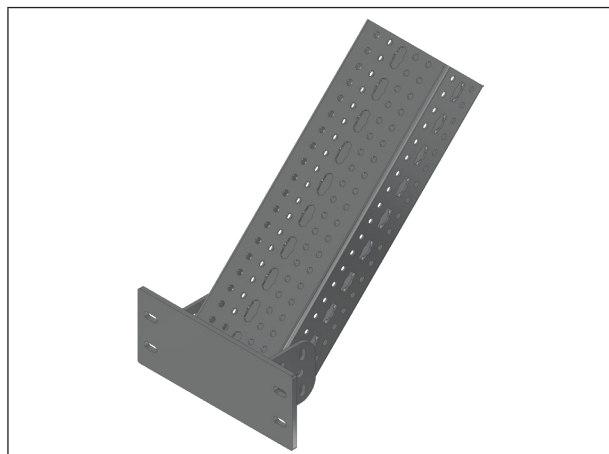
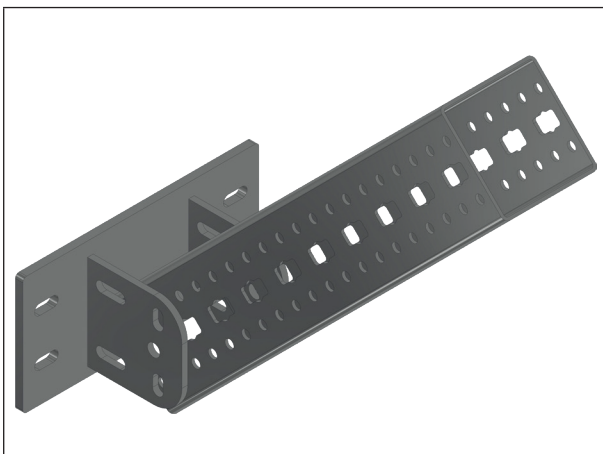
- Function: Profile angle connection; The floor plate is shipped ready welded to the retaining parts.
- Accessories: Bolt sets must be ordered separately.

### Technical Information

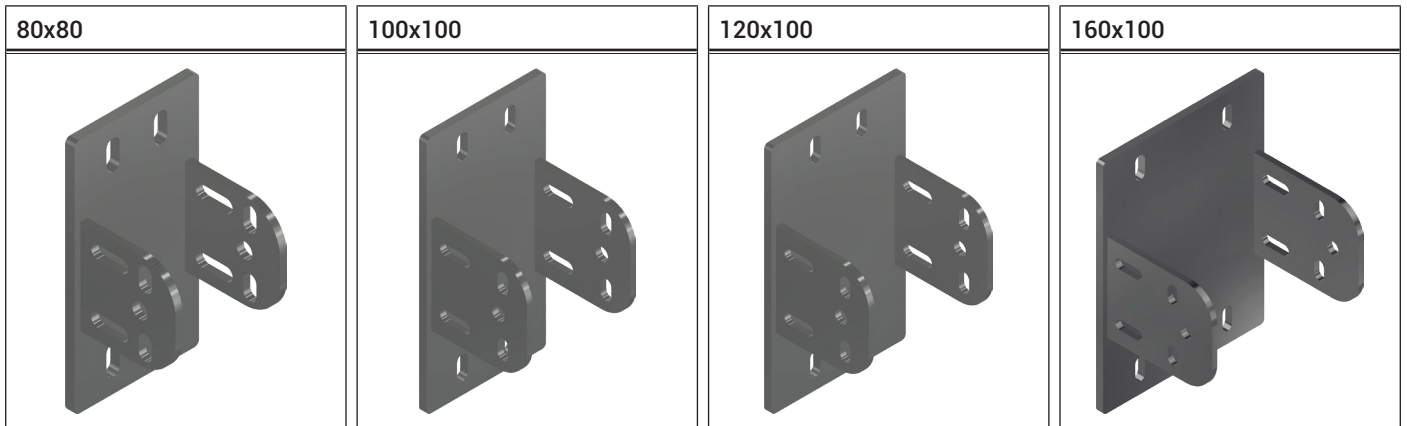
- Material: Steel
- Surface: Hot Dip Galvanized EN ISO 1461



| Product         | Amount Of Bolts Required | W (mm) | A (mm) | B (mm) | X (mm) | Y (mm) | Hot Dip Galvanized (TS EN ISO 1461) |            |
|-----------------|--------------------------|--------|--------|--------|--------|--------|-------------------------------------|------------|
|                 |                          |        |        |        |        |        | Weight (kg/m)                       | Order Code |
| 80 RSP 80 AVP   | 4                        | 81     | 105    | 200    | 40     | 150    | 0,846                               | 3292479    |
| 100 RSP 100 AVP | 4                        | 101    | 125    | 250    | 50     | 200    | 1,143                               | 3292480    |
| 120 RSP 100 AVP | 4                        | 121    | 125    | 250    | 50     | 200    | 1,143                               | 3292481    |
| 160 RSP 100 AVP | 4                        | 161    | 125    | 300    | 50     | 250    | 1,198                               | 3292482    |





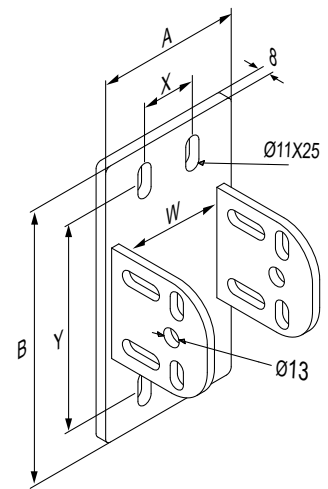


### System Features

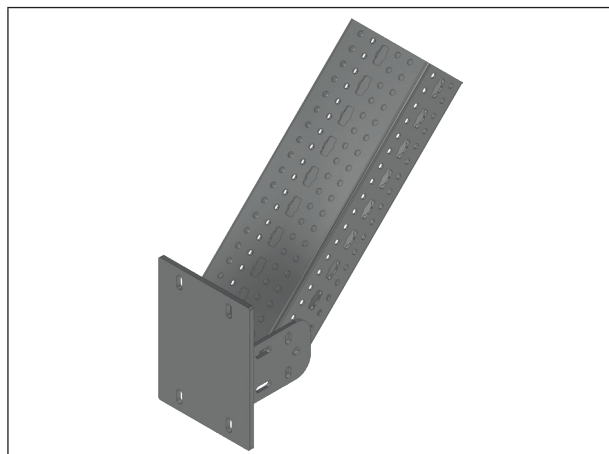
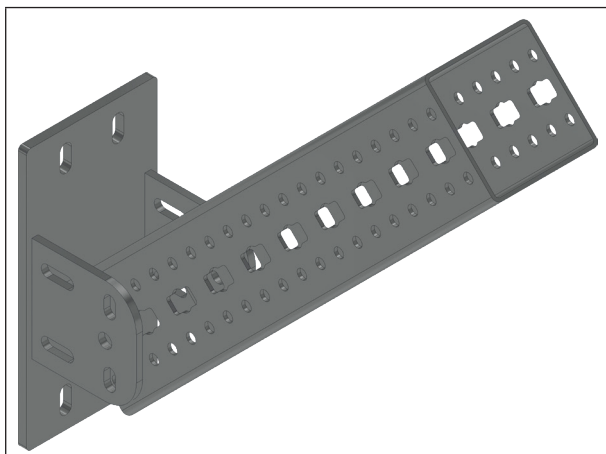
- Function: Profile angle connection; The floor bracket is shipped, ready and welded to the retaining parts.
- Accessories: Bolt sets must be ordered separately.

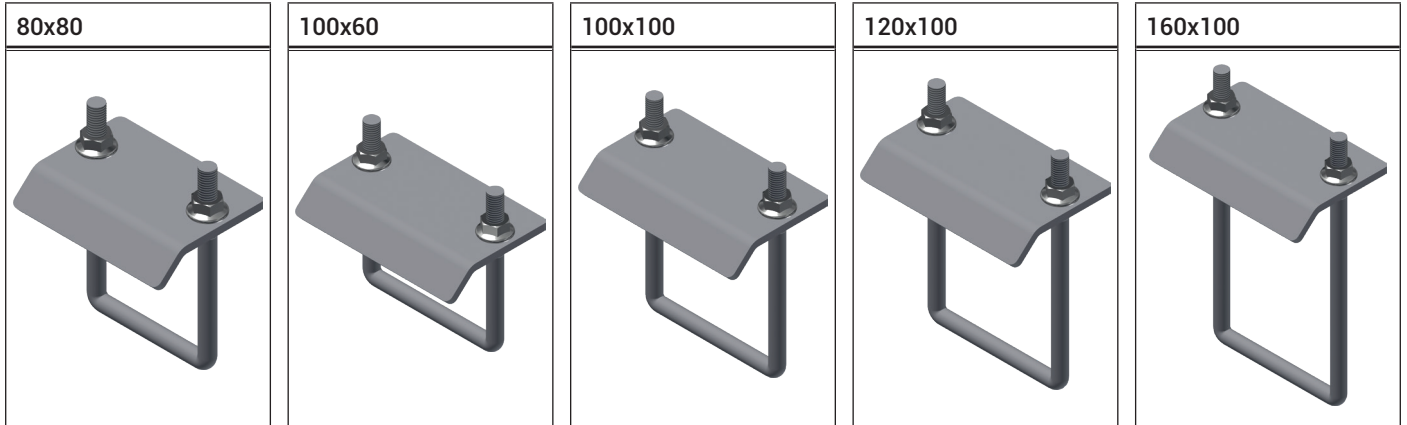
### Technical Information

- Material: Steel
- Surface: Hot Dip Galvanized EN ISO 1461



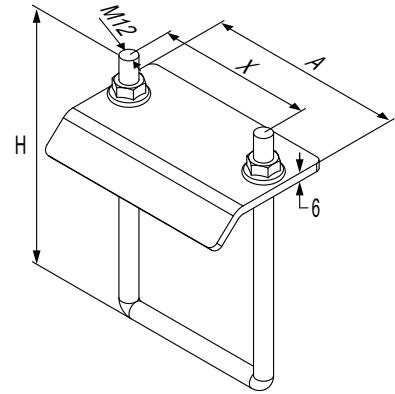
| Product         | Amount Of Bolts Required | W (mm) | A (mm) | B (mm) | X (mm) | Y (mm) | Hot Dip Galvanized (TS EN ISO 1461) |            |
|-----------------|--------------------------|--------|--------|--------|--------|--------|-------------------------------------|------------|
|                 |                          |        |        |        |        |        | Weight (kg/m)                       | Order Code |
| 80 RSP 80 AHP   | 4                        | 81     | 105    | 200    | 40     | 150    | 0,846                               | 3292483    |
| 100 RSP 100 AHP | 4                        | 101    | 125    | 250    | 50     | 200    | 1,143                               | 3292484    |
| 120 RSP 100 AHP | 4                        | 121    | 145    | 250    | 50     | 200    | 1,186                               | 3292485    |
| 160 RSP 100 AHP | 4                        | 161    | 185    | 250    | 100    | 200    | 1,348                               | 3292486    |





### System Features

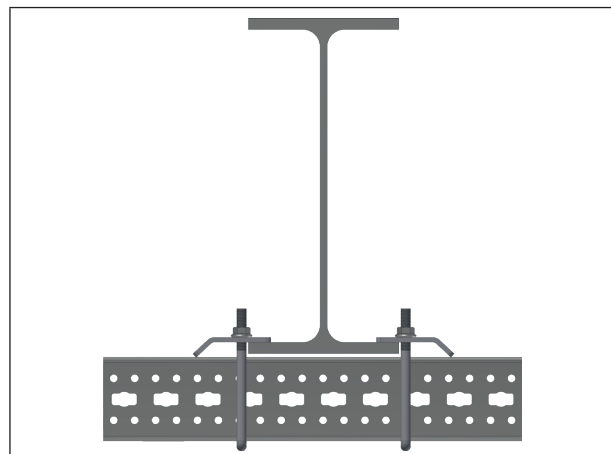
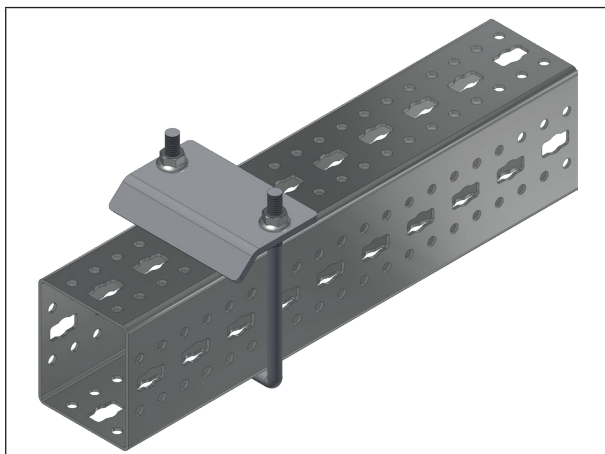
- Function: Profile beam securing U-Bolt
- Accessories: Set containing thrust plate + M12 U-bolt + M12 Nut.

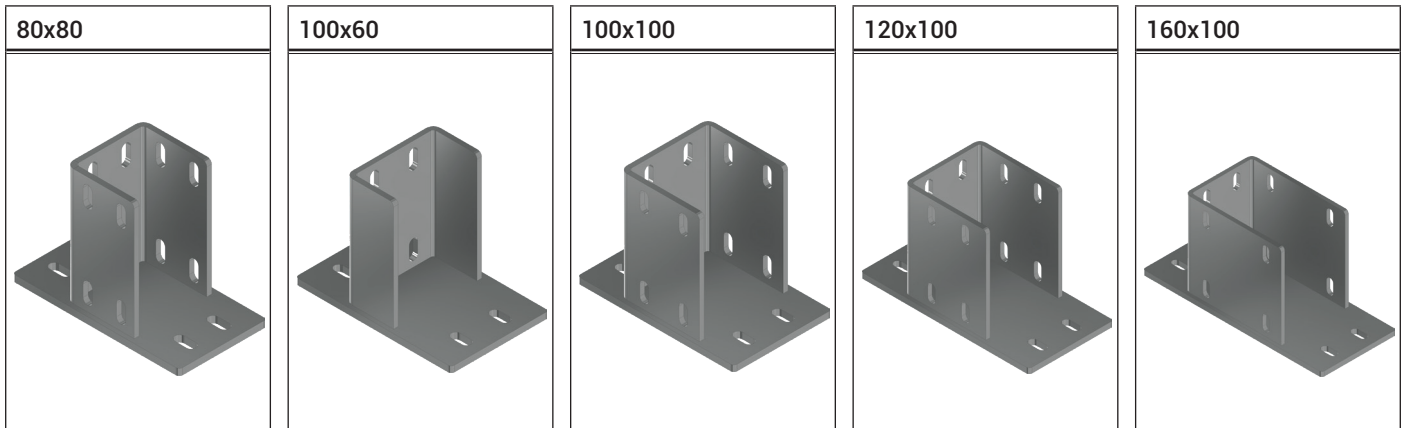


### Technical Information

- Material: Steel
- Surface: Hot Dip Galvanized EN ISO 1461

| Product           | H<br>(mm) | X<br>(mm) | A<br>(mm) | Hot Dip Galvanized<br>(TS EN ISO 1461) |               |
|-------------------|-----------|-----------|-----------|--|---------------|
|                   |           |           |           | Weight<br>(kg/m)                       | Order<br>Code |
| 80 RSP 80 UBOLT   | 150       | 94        | 124       | 1,002                                  | 3134708       |
| 100 RSP 60 UBOLT  | 130       | 114       | 144       | 1,087                                  | 3294610       |
| 100 RSP 100 UBOLT | 170       | 114       | 144       | 1,158                                  | 3134709       |
| 120 RSP 100 UBOLT | 190       | 114       | 144       | 1,193                                  | 3134710       |
| 160 RSP 100 UBOLT | 230       | 114       | 144       | 1,264                                  | 3294611       |



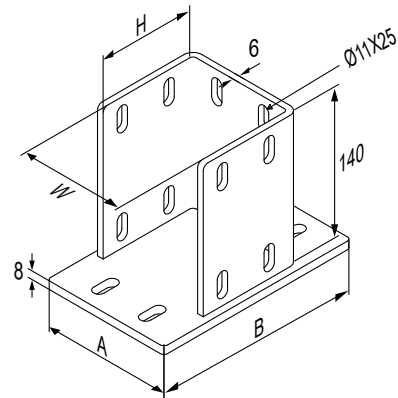


### System Features

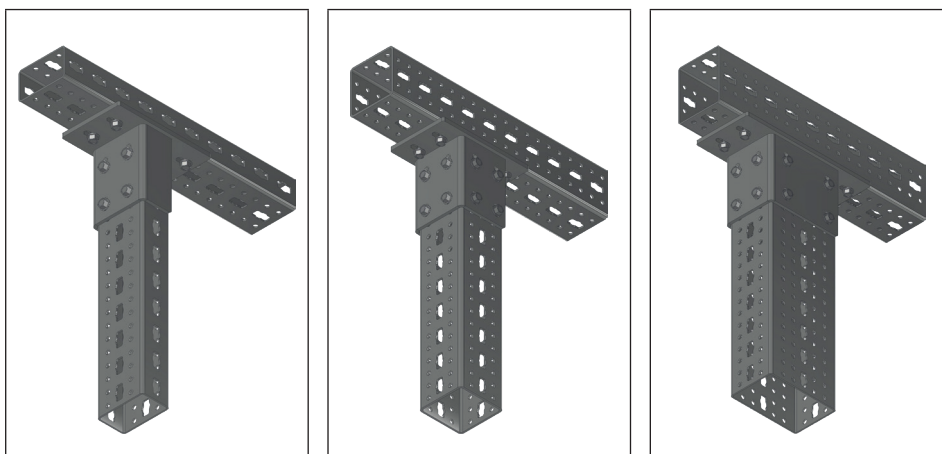
- Function: Profile corner joint; The floor bracket is shipped, ready and welded to the retaining parts.
- Accessories: Set containing thrust plate + M12 U-bolt + M12 Nut.

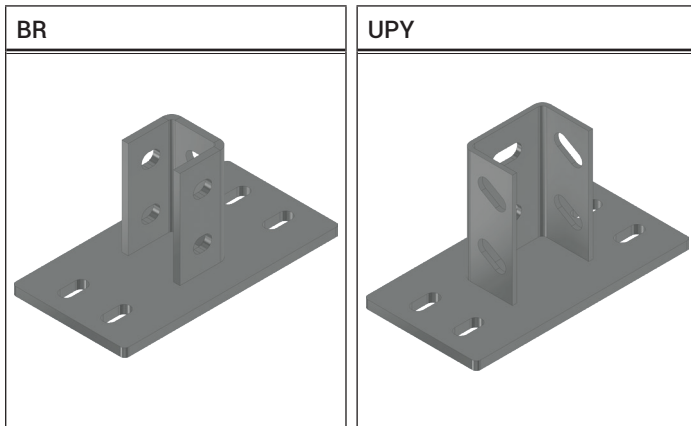
### Technical Information

- Material: Steel
- Surface: Hot Dip Galvanized EN ISO 1461



| Product         | Amount Of Bolts Required | W (mm) | H (mm) | A (mm) | B (mm) | Hot Dip Galvanized (TS EN ISO 1461) |            |
|-----------------|--------------------------|--------|--------|--------|--------|-------------------------------------|------------|
|                 |                          |        |        |        |        | Weight (kg/m)                       | Order Code |
| 80 RSP 80 VMP   | 8                        | 81     | 76     | 105    | 200    | 1,750                               | 3292487    |
| 100 RSP 60 VMP  | 4                        | 101    | 56     | 125    | 200    | 1,750                               | 3294553    |
| 100 RSP 100 VMP | 8                        | 101    | 96     | 125    | 200    | 2,228                               | 3292488    |
| 120 RSP 100 VMP | 8                        | 101    | 116    | 125    | 250    | 2,573                               | 3292489    |
| 160 RSP 100 VMP | 8                        | 101    | 156    | 125    | 300    | 3,208                               | 3292490    |





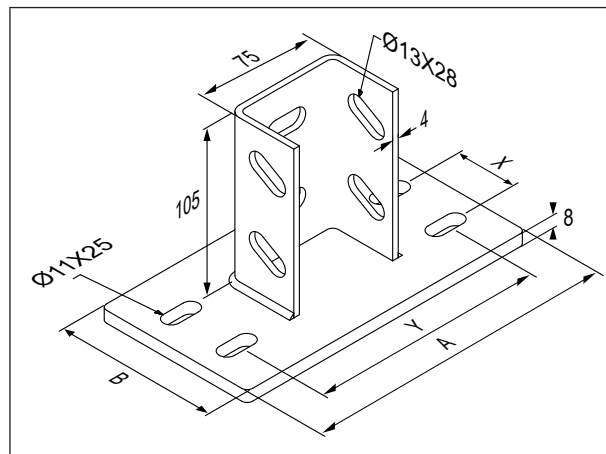
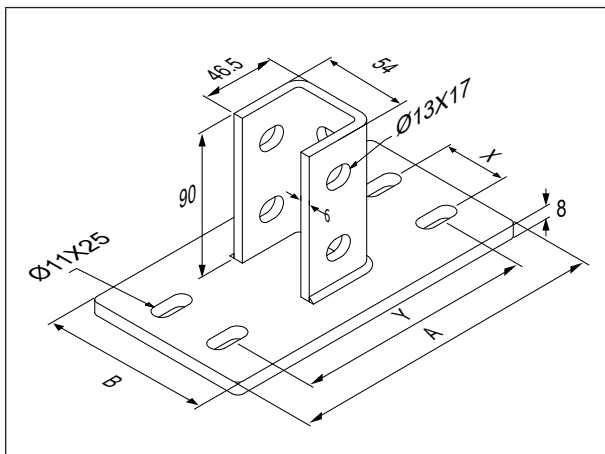
## System Features

- Function: Profile corner joint; The floor bracket is shipped, ready and welded to the retaining parts.
- Accessories: Bolt sets must be ordered separately

## Technical Information

- Material: Steel
- Surface: Hot Dip Galvanized EN ISO 1461

| Product         | B<br>(mm) | A<br>(mm) | X<br>(mm) | Y<br>(mm) | Hot Dip Galvanized<br>(TS EN ISO 1461) |               |
|-----------------|-----------|-----------|-----------|-----------|--|---------------|
|                 |           |           |           |           | Weight<br>(kg/m)                       | Order<br>Code |
| 80 RSP 80 UPY   | 105       | 200       | 40        | 150       | 0,671                                  | 3292491       |
| 100 RSP 100 UPY | 125       | 250       | 50        | 200       | 0,708                                  | 3294591       |
| 80 RSP 80 BR    | 105       | 200       | 40        | 150       | 0,721                                  | 3292492       |
| 100 RSP 100 BR  | 125       | 250       | 50        | 200       | 0,759                                  | 3294606       |



# CE DECLARATION OF CONFORMITY

**Product Group** EleElectro-Mechanical Carrier, Suspension Systems and Accessories

**Manufacturer** EAE Elektrik Asansor End. Insaat San. ve Tic. A.S.  
Akcaburgaz Mahallesi, 3114. Sokak,  
No:10 34522 Esenyurt-Istanbul

We confirm that the above-mentioned products or product groups manufactured at EAE Facilities complies with the standards and regulations stated below.

**Standard :**

**TS EN 61537**

"Electro-Mechanical Carrier and Suspension Systems"

**CE - Directive**

305/2011/AB "Construction materials regulation"

**Technical Document Preparation Officer;**

EAE Elektrik Asansor End. Insaat San. ve Tic. A.S.  
Akcaburgaz Mahallesi, 3114. Sokak, No:10 34522 Esenyurt-Istanbul

Emre GÜRLEYEN

**Date**

13.01.2022

**Document Authorized Signatory**

Elif Gamze KAYA OK  
Deputy General Manager



## Advantages

- It provides 4 times quicker assembly compared to traditional welded manufacturing.
- It provides creative and clear application opportunity thanks to its modular structure and accessories..
- It does not require the use of nuts and washers with the application of smart bolts at the connection points..
- It does not require welding and painting, it offers material and workmanship advantages.
- Provides solutions with high carrying capacity in long suspension openings and heavy load situations.
- Optionally, Hot Dip and Stainless Steel material options are available for corrosive environments.

## Technical Information

- Standard length:

3000mm - 6000mm

- Available sections:

60x100 - 80x80 - 100x100 - 100x120 - 100x160

- Thickness:

ø3mm - ø4mm

■ Please call our company for your orders in different thicknesses and sizes.

- Available surface:



SS304 - SS316  
Stainless



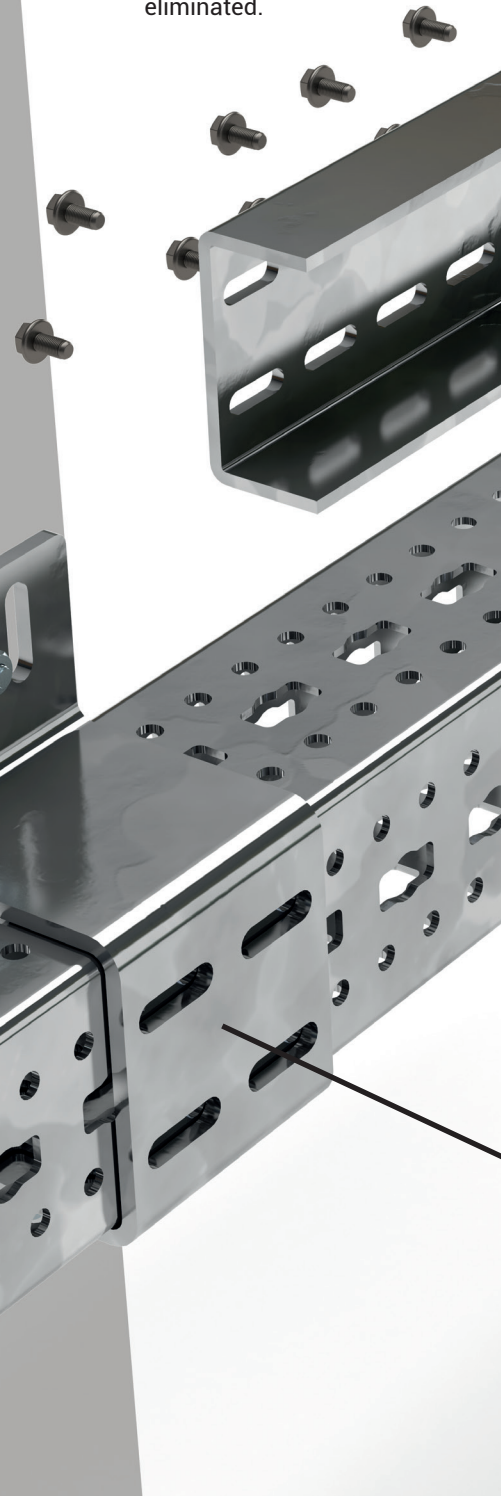
Hot Dip  
Galvanized



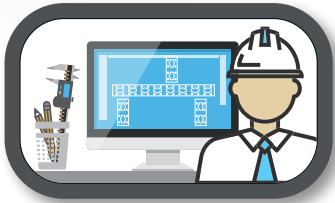
Electrostatic  
Powder Coated



Thanks to the use of conical threaded bolts, the need for washers and nuts is eliminated.







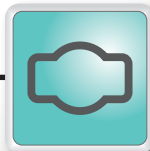
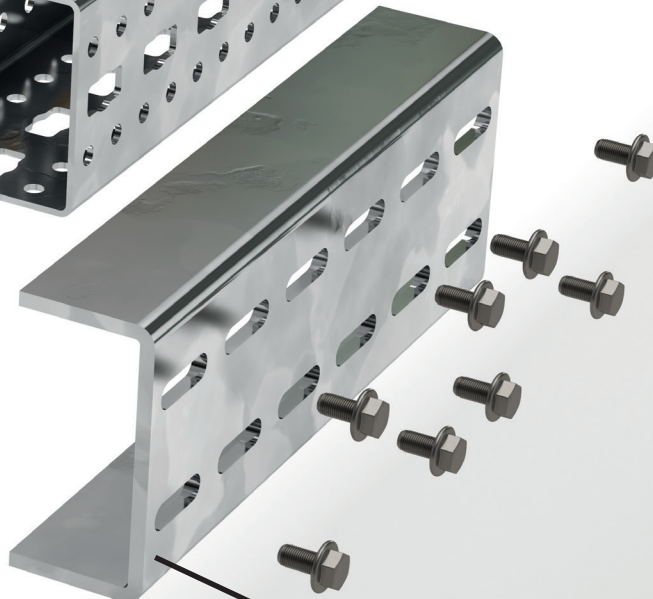
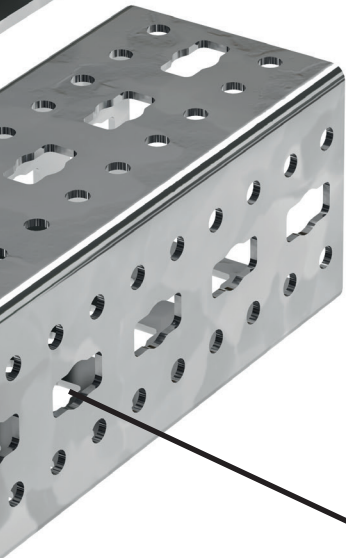
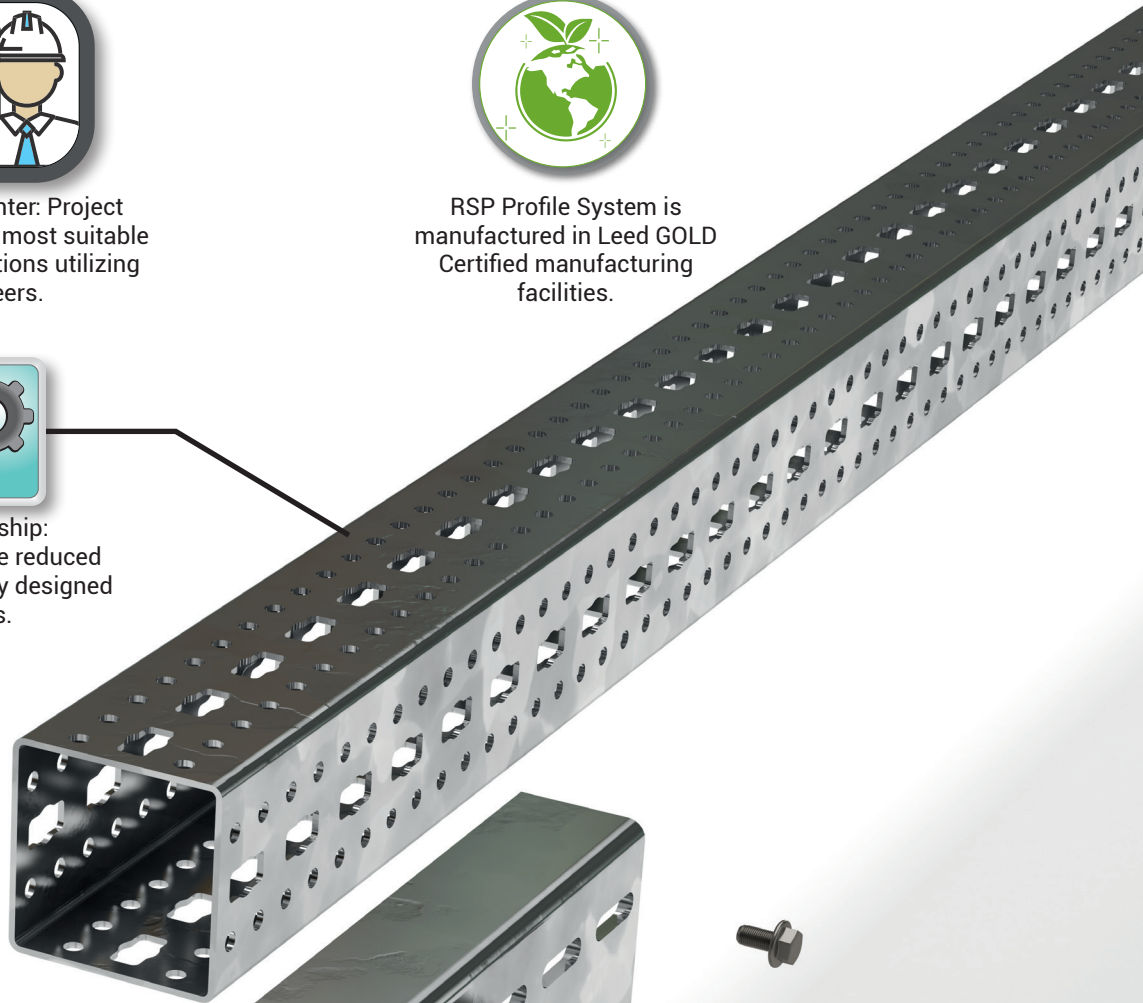
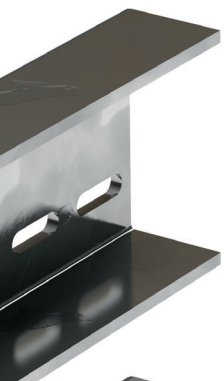
Engineering Solution Center: Project support is provided for the most suitable solutions for your applications utilizing our expert engineers.



RSP Profile System is manufactured in Leed GOLD Certified manufacturing facilities.



Workmanship:  
Labor costs are reduced with functionally designed fittings.



With its unique hole structure, fasteners can be mounted up to a width of M16



Quick Assembly:  
It provides 4 times quicker assembly compared to traditional welded manufacturing.

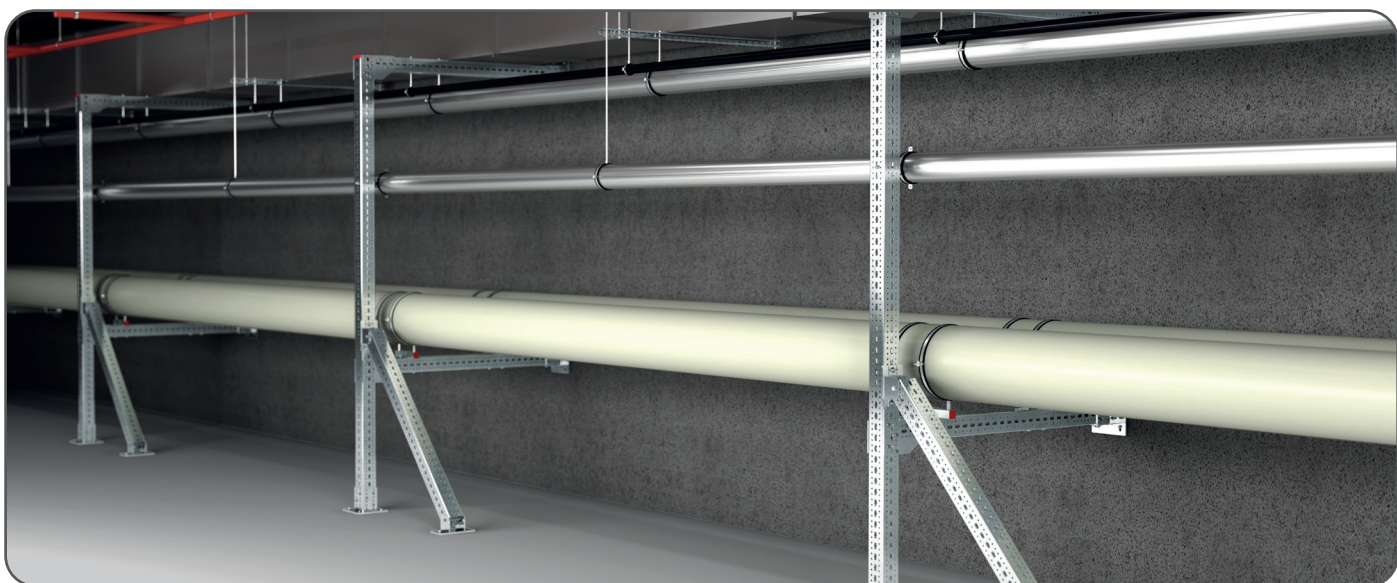


RSP Profile Systems exhibits elevated performance at immense weights and wide suspension intervals.

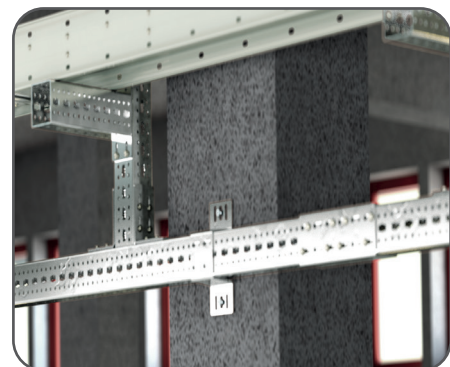
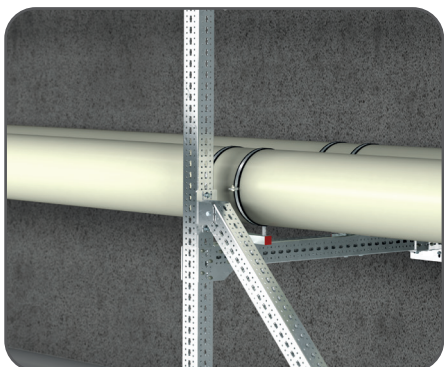




It offers the most suitable solution in wide beam ranges in electro-mechanical applications. A multi-storey system can be designed by using a horizontal console.



Since it is a product with ideal suspension optimization, it allows electrical and mechanical installations to be carried on the same line. In this way, the suspension costs of the project are reduced. Flexible solutions are provided with wall, floor and ceiling applications.



# PRODUCT TYPES



## BUSBAR ENERGY DISTRIBUTION SYSTEMS

---



## CABLE TRAYS

---



## TROLLEY BUSBAR ENERGY DISTRIBUTION SYSTEMS

---



## INDOOR SOLUTIONS

---



## SUPPORT SYSTEMS

---



**EAE Elektrik A.S. Head Office**  
Akcaburgaz Mahallesi,  
3114. Sokak, No:10 34522  
Esenyurt - Istanbul - TURKEY  
Tel: +90 (212) 866 20 00  
Fax: +90 (212) 886 24 20

**EAE DL 1 Factory Cable Tray**  
Makine Ihtisas Organize Sanayi  
Bolgesi Mahallesi, 6. Cadde,  
8. Sokak, No:2 41455  
Dilovası - Kocaeli - TURKEY  
Tel: +90 (262) 502 05 65  
Fax: +90 (262) 502 05 70

Please visit our website for the updated version of our catalogues.  
[www.eaeelectric.com](http://www.eaeelectric.com)



RSP Catalogue 76 -EN / Rev 0 0 Pcs. 02/05/2023  
D.S.

EAE has full right to make any revisions or changes on this catalogue without any prior notice.

