

# E-LINE KY-D

BUSBAR SYSTEMS 25A - 40A

[www.eaelectric.com](http://www.eaelectric.com)

# EAE GROUP IN NUMBERS



## Since 1973

EAE Group of Companies started its journey in the electrical sector in 1973 with the establishment of EAE Elektrik. Since its founding, EAE has grown rapidly, expanding its production and areas of operation by incorporating EAE Lighting in 1983, EAE Machinery in 1996, EAE Electrotechnics in 2004, and EAE Technology in 2009.

EAE carries out its production activities in accordance with ISO 9001 Quality Management, ISO 14001 Environmental Management, ISO 14064-1 Greenhouse Gas Management System, ISO 45001 Occupational Health and Safety Management, ISO 10002 Customer Satisfaction Management, ISO 50001 Energy Management System, and ISO 27001 Information Security Management System standards.



**50+**  
Years Experience



**8**  
Active Factories



**370.000m<sup>2</sup>**  
Enclosed Space



**3**  
R&D Centers



**150+**  
Countries Exported To

# CONTENTS

---

General Overview .....	2-3
Technical Characteristics .....	4
Order Code System .....	5
KY-S Busbar Conductor Structure and Addressing Types (Key Plan) .....	6
KY-D Busbar Selection Tables .....	7
KY-D DALI Busbar Selection Tables .....	8
KY-D Busbar Tap-Off Plug Selection Tables .....	9-12
KY-D DALI Busbar Tap-Off Plug Selection Tables .....	13-14
Feeder Module (B1) / End Feeder Module (B2) Selection Table .....	15
Flexible Elbow (FD) Module Selection Table .....	16
Accessories (KY-D) .....	17
KY-D Busbar Joint Installation / Single Tap-Off Plug Installation .....	18
KY-D Busbar Tap-off Plugs with clips/Cylindrical Fuse Installation .....	19
KY-D Busbar Miniature Circuit Breaker (MCB) Tap-Off Box Installation .....	20
KY-D Busbar Tap-Off Box with Cartridge (Cylindrical) Fuse Installation .....	21
Busbar and Fitting Brackets (KY-D) .....	22-24
E-LINE KY-D Busbar Product Overview .....	25
E-LINE KY-D Busbar CE Declaration of Conformity .....	26

# E-LINE KY-D

## General Overview

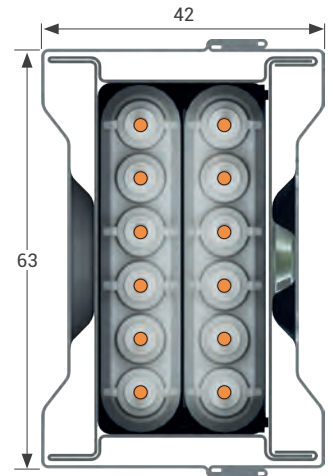
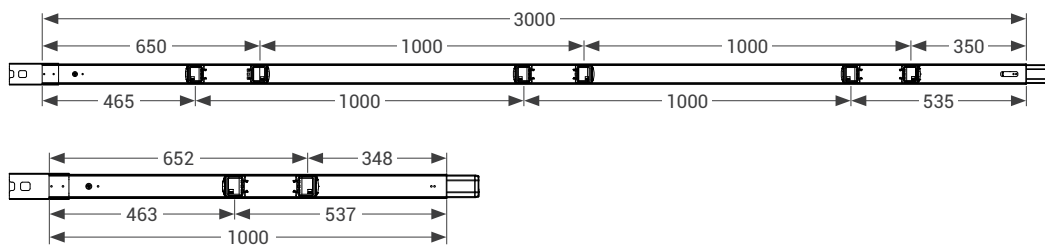


E-Line KY-D Busbar Distribution Systems are used in building electrical installations with a power requirement of 25-40A. Due to the specifications of 10 and 16A tap-off plugs and 32A tap-off boxes, they are designed to supply lighting and wall socket circuits and small electrical machines and devices. The protection degree is IP55 when the covers of opening points are closed.

EAE Busbar Systems are produced using the world's latest manufacturing technologies, in accordance with ISO 9001 Standards and with a certified Quality Assurance System. Units are designed and tested according to IEC 61439-6. In standard production, the busbar housing is pre-galvanized sheet metal, and optionally, it can be manufactured in RAL 7038 colour.

### 3m and 1m Standard Lengths, 3 and 1 Current Tap-Off Plug windows

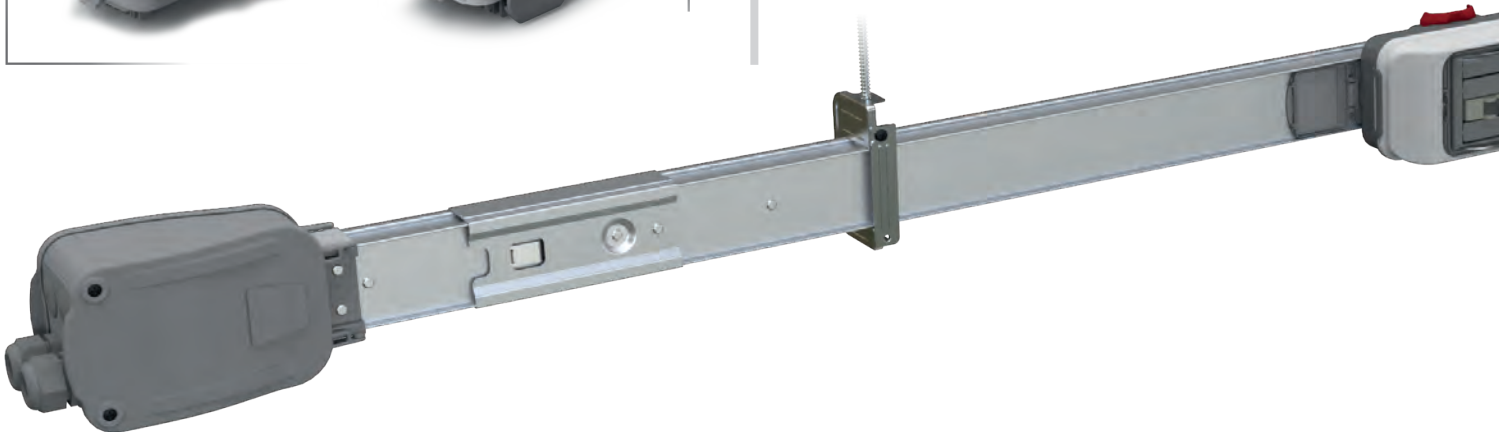
The KY-D Busbar System is manufactured in two different standard lengths and features configurable double-sided current tap-off windows.



### Tap-off Plugs and Boxes

The Tap-off plugs of KY-D busbar systems are designed with different address structures in order to prevent misuse and shock.

All plugs and boxes are manufactured to be connected to the busbar in one direction only. This prevents the use of a wrong phase.



### Safety

Earth contacts of the tap-off plugs and boxes make first when plugging-in, and the contact breaks last when unplugging.

### Colours Indicating Plugs and Boxes

In plugs and boxes, the colours of the cover, housing, ear and cable entry gland are designed in different colours so that you can easily see the phase, function and features.





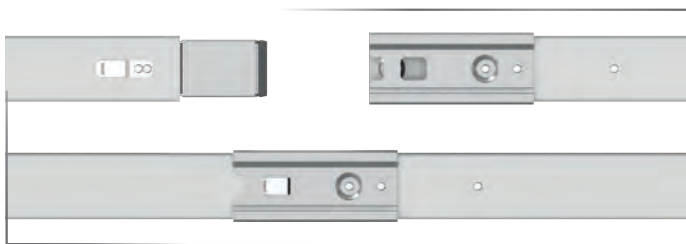
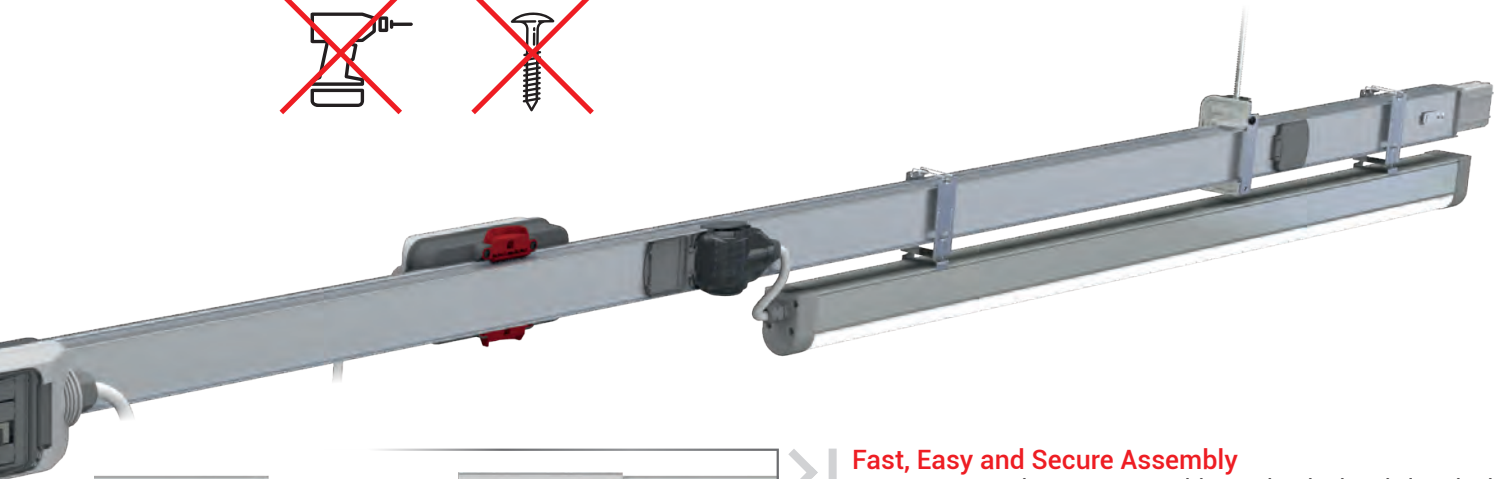
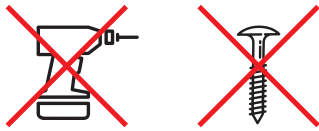
## Insulation at Full Length

Busbar conductors are coated with full-length flame-proof insulation material. Full protection regarding human safety is provided even when the body is severely damaged due to external heavy impacts that may occur.



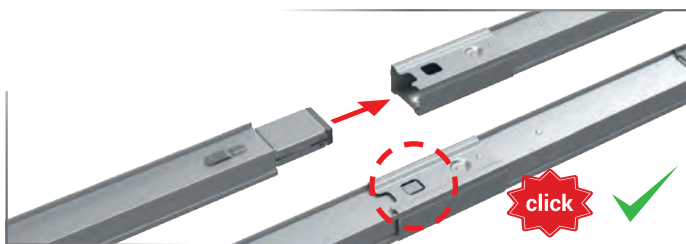
## Tin-Plated Conductors and Contacts

Copper conductors are plated with tin in full-length, preventing the formation of Copper Oxide. With this process, contact resistances are minimized. Steel spring reinforced. With the jawed contact construction, the contacts of the tap-off plugs and boxes compress the conductor from two surfaces in the busbar.



## Fast, Easy and Secure Assembly

Fast, Easy and Secure Assembly Mechanical and electrical continuity is achieved with a single action by driving the joint structure with silverplated spring contacts into each other. You do not need to tighten any bolts to secure the locking. There is no need for any operation or tool for mounting the joint structure that prevents deflection and stretching.



## Design Preventing Incorrect Installation

The busbar joint structure, manufactured with independently configured double-sided connections, features a unique and specialized design that prevents reverse installation.

The labels on the busbar indicate the left side with "L" and the right side with "R", ensuring correct assembly.



## Silver-Plated Joint Contacts

The contacts at the busbar joints and the contacts of all tap-off units are silver-plated. The silver-plating minimises the contact impedances, thus preventing the over-heating of the contacts in case of possible over-loads.

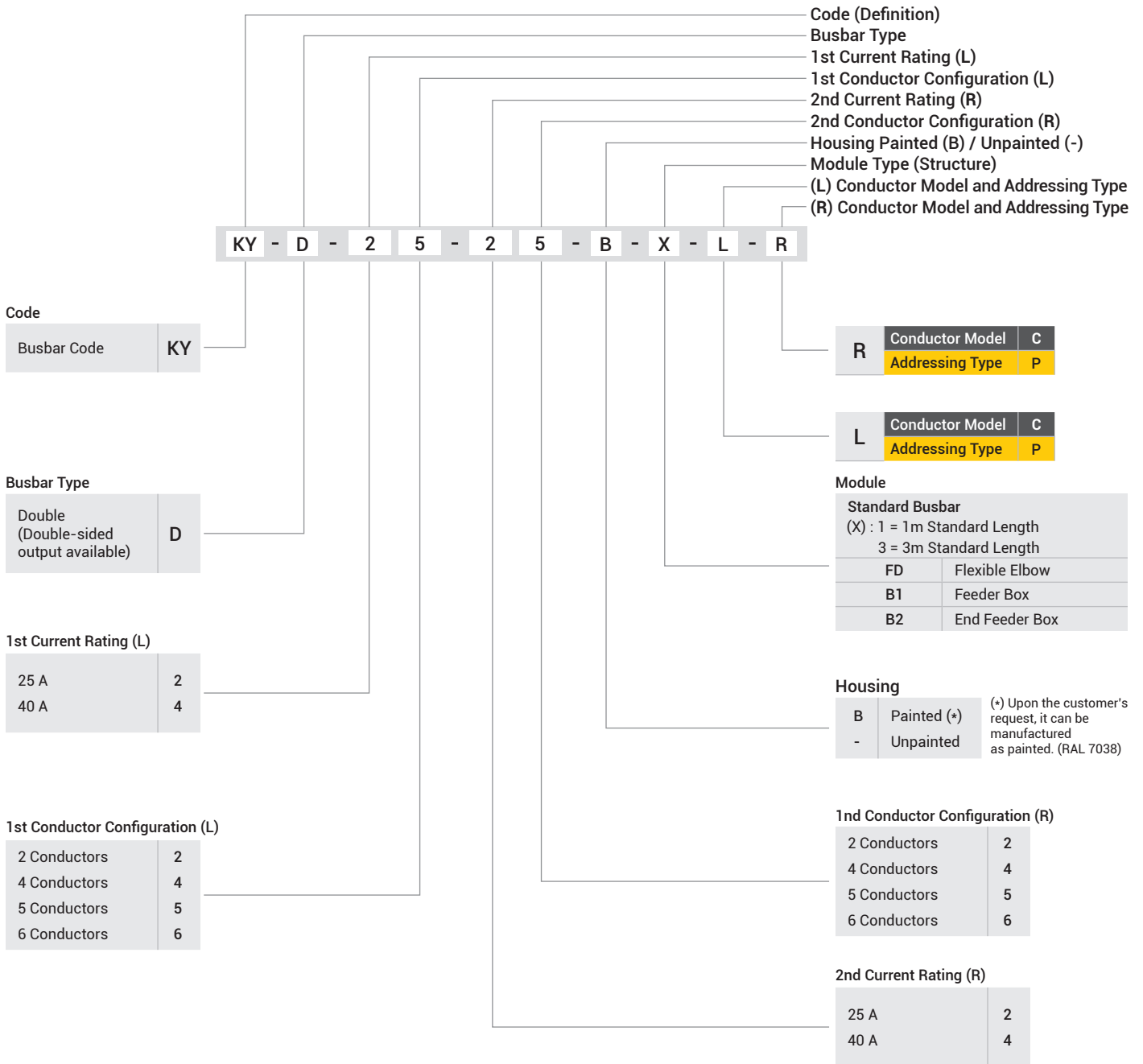
Rated Current		$I_n$	A	25	40		
Busbar Code				2	4		
Standards		IEC 61439-1/6, TS EN 61439-1/6					
Rated Isolation Voltage		$U_i$	V	690	690		
Operating Voltage		$U_e$	V	415	415		
Rated Frequency		f	Hz	50-60	50-60		
Operating Ambient Temperature		t	°C	-5/+40	-5/+40		
Protection Degree (IP)		IP 55					
Mechanical Impact Resistance (IK)		IK07					
Rated Short-Time Current (0.1 s)		$I_{CW}$	kA <sub>(rms)</sub>	1,5	2,5		
Rated Peak Withstand Current		$I_{pk}$	kA	2,25	3,75		
CONDUCTOR CHARACTERISTICS AT RATED CURRENT In	Resistance (AC) at a conductor temperature of 20 °C	$R_{20}$	mΩ/m	7,16	4,07		
	Resistance (AC) at an ambient air temperature of 35 °C	$R_t$	mΩ/m	9,22	5,63		
	Reactance (Independent from Temperature)	X	mΩ/m	1,38	0,56		
	Positive and negative sequence impedances at an ambient air temperature of 35 °C	$Z_{35}$	mΩ/m	9,33	5,66		
	Positive and negative sequence impedances at a conductor temperature of 20 °C	$Z_{20}$	mΩ/m	7,29	4,11		
	Rated Power Loss at 35 °C	P	W/m	17,3	27,0		
	DC Resistance at a conductor temperature of 20 °C for Phases	$R_{ort_{Ph}}$	mΩ/m	6,90	3,91		
	DC Resistance at a conductor temperature of 20 °C for Neutral	$R_N$	mΩ/m	6,89	3,90		
	DC Resistance at a conductor temperature of 20 °C for PE	$R_{PE}$	mΩ/m	1,61	1,54		
	DC Resistance at a conductor temperature of 20 °C for Clean Earth	$R_{CPE}$	mΩ/m	6,89	3,90		
	HOUSING AND SECTIONS	L1, L2, L3, N	$S_L$	mm <sup>2</sup>	2.54	4.9	
		CPE (5 Conductors)	$S_{CPE}$	mm <sup>2</sup>	2.54	4.9	
PE (Sheet Steel)		$S_{PE}$	mm <sup>2</sup>	124	124		
Busbar Weight (2 conductors)		P	kg/m	1.34	1.35		
Busbar Weight (3 conductors)		P	kg/m	1.37	1.41		
Busbar Weight (4 conductors)		P	kg/m	1.39	1.46		
Busbar Weight (5 conductors)		P	kg/m	1.42	1.51		
Busbar Weight (6 conductors)		P	kg/m	1.44	1.57		
Busbar Housing Dimensions		LxH	mm	63x42	63x42		
VOLTAGE DROP	Power factor (Cosφ) = 0.7	ΔU	Volt/m	0,213	0,246	0,199	0,229
	Power factor (Cosφ) = 0.8	ΔU	Volt/m	0,235	0,272	0,222	0,256
	Power factor (Cosφ) = 0.9	ΔU	Volt/m	0,254	0,294	0,243	0,280
	Power factor (Cosφ) = 1.0	ΔU	Volt/m	0,263	0,304	0,257	0,297
	<p>*It is assumed that the voltage drop values are at full load (max. current) and the load is distributed on the line and they are given as values (Volt) per meter for different power factors (Cosφ).</p> <p>*If the entire load is at the end of the line, please find the end-of-line voltage drop by dividing the values given in the table by 0.66.</p> <p>*k=0,66 (Load distribution factor). <math>\left[ k = \frac{n+1}{2n} \right]</math>  n = 3 (Number of tap-off in a standard 3 m busbar)</p>						
*Table values are given to facilitate basic calculations, and for exact values, calculations should be made according to IEC 60364-52, taking into account the project details.							

### Allowable Mechanical Loading Table

Busbar Types KY-D	Fixing Element Intermediate Distance (L) (m)	Single Point Suspended Load (F) (kg)		Distributed Load (F) (kg)	
25A / 40A	1,5	120		132	
	2,0	60		70	
	3,0	20		24	

# E-LINE KY-D

## Order Code System



### Busbar Function

P	Power
P <sub>Emg</sub>	Power + Emergency Kit (Emg) Supply
PDL	Power + DALI Lighting Automation
PDL <sub>Emg</sub>	Power + DALI Lighting Automation + Emergency Kit (Emg) Supply

### Protection Conductor

PE	Housing
CPE	Independent Conductor

### Addressing Type

P1 - P2 - P3 - P4
-------------------

### Phase Structure

L1	Phase-1
L2	Phase-2
L3/L	Phase-3/Phase
N	Neutral
D1	DALI Conductor-1
D2	DALI Conductor-2
L <sub>emg</sub>	Emergency Kit (Emg) Phase
N <sub>emg</sub>	Emergency Kit (Emg) Neutral

### Conductor Model

KY-D: C1 - C3 - C5
KY-D-DALI: C8 - C11

### DESCRIPTION:

Apart from the information specified as "order code system", the following information is available on the busbar as label information;

- Busbar function,
- Phase structure,
- Protection conductor,
- Conductor Model and addressing type are available on busbar as label information.

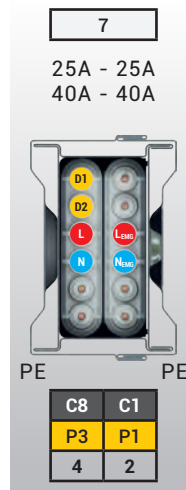
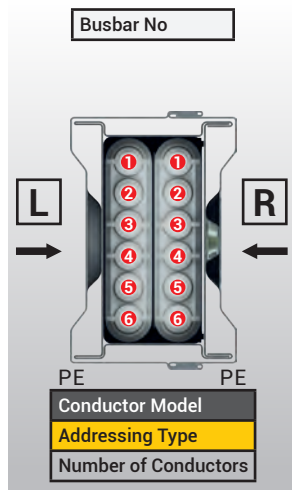
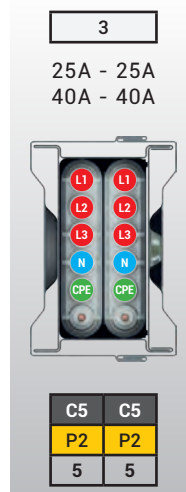
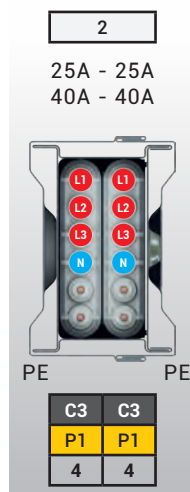
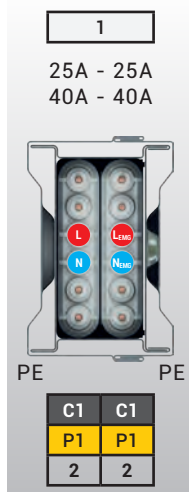
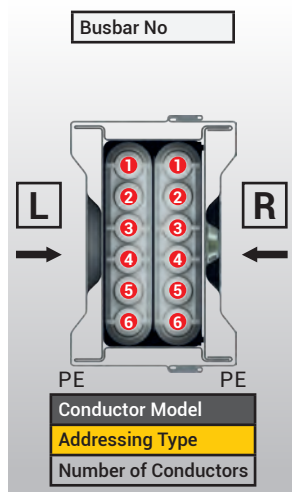
# E-LINE KY-D

## KY-D Busbar Conductor Model and Addressing Type

### Key Plan



Based on the Conductor Model given below, determine the KY-D busbar suitable for your needs. For the busbar, tap-off plug, tap-off box and other modules, select the products on the sides of the tables and from the pages given below:



- **Addressing Type:** Operation current plug-in openings and tap-off plugs and boxes are addressed to prevent incorrect use, the tap-off plugs and boxes with different address types and busbars cannot be used with each other.
- **PE** = housing with protective conductor  
**CPE**= Clean protection (clean earth) conductor (Independent conductor)

# E-LINE KY-D

## KY-D Busbar Selection Tables



Conductor Model		Busbar No	2+2 CONDUCTOR CONSTRUCTION	L-N-PE <sub>(Housing)</sub>		R-L <sub>EMG</sub> -N <sub>EMG</sub> -PE <sub>(Housing)</sub>		L	R
C1	C1			BUSBAR		Order Code		Addressing Type: P1 P1	
		Current	Definition	Type	3 m	1 m	Description		
		25 A	KY-D 2222-L(C1P1)-R(C1P1)-STD3 (STD1)	Unpainted	3183156	3183400	<ul style="list-style-type: none"> <li>It is used with single-phase tap-off plug (L) in lighting, socket and power circuits as single phase distribution.</li> </ul>		
			KY-D 2222-B-L(C1P1)-R(C1P1)-STD3 (STD1)	Painted	3183273	3183527			
		40 A	KY-D 4242-L(C1P1)-R(C1P1)-STD3 (STD1)	Unpainted	3183052	3182932			
			KY-D 4242-B-L(C1P1)-R(C1P1)-STD3 (STD1)	Painted	3183530	3183044			

■ KY-D Busbar with the same current rating on both sides.

Conductor Model		Busbar No	4+4 CONDUCTOR CONSTRUCTION	L1-L2-L3-N-PE <sub>(Housing)</sub>		R1-L2-L3-N-PE <sub>(Housing)</sub>		L	R
C3	C3			BUSBAR		Order Code		Addressing Type: P1 P1	
		Current	Definition	Type	3 m	1 m	Description		
		25 A	KY-D 2424-L(C3P1)-R(C3P1)-STD3 (STD1)	Unpainted	3182925	3183149	<ul style="list-style-type: none"> <li>Designed for three-phase distribution on both sides, it is used in lighting, socket outlet, and power circuits together with single-phase and/or three-phase tap-off plugs.</li> </ul>		
			KY-D 2424-B-L(C3P1)-R(C3P1)-STD3 (STD1)	Painted	3183266	3183520			
		40 A	KY-D 4444-L(C3P1)-R(C3P1)-STD3 (STD1)	Unpainted	3182964	3183188			
			KY-D 4444-B-L(C3P1)-R(C3P1)-STD3 (STD1)	Painted	3183310	3183564			

■ KY-D Busbar with the same current rating on both sides.

Conductor Model		Busbar No	5+5 CONDUCTOR CONSTRUCTION	L1-L2-L3-N-CPE		R1-L2-L3-N-CPE		L	R
C5	C5			BUSBAR		Order Code		Addressing Type: P2 P2	
		Current	Definition	Type	3 m	1 m	Description		
		25 A	KY-D 2525-L(C5P2)-R(C5P2)-STD3 (STD1)	Unpainted	3182926	3183150	<ul style="list-style-type: none"> <li>Designed for three-phase distribution on both sides, it is used in socket outlet and power circuits requiring a clean protective earth (clean earth), together with single-phase and/or three-phase tap-off plugs.</li> </ul>		
			KY-D 2525-B-L(C5P2)-R(C5P2)-STD3 (STD1)	Painted	3183267	3183521			
		40 A	KY-D 4545-L(C5P2)-R(C5P2)-STD3 (STD1)	Unpainted	3182965	3183189			
			KY-D 4545-B-L(C5P2)-R(C5P2)-STD3 (STD1)	Painted	3183311	3183565			

■ KY-D Busbar with the same current rating on both sides.

# E-LINE KY-D

## KY-D Busbar Selection Tables

### KY-D-DALI Busbar Selection Tables



Conductor Model		Busbar No	4+4 CONDUCTOR CONSTRUCTION	$\square$ D1-D2-L <sub>EMG</sub> -N <sub>EMG</sub> -PE <sub>(Housing)</sub>	$\square$ R L1-L2-L3-N-PE <sub>(Housing)</sub>	$\square$ L	$\square$ R
C8	C3	5	BUSBAR		Order Code		Addressing Type: <b>P3</b> <b>P1</b>
$\square$ L	$\square$ R	Current	Definition	Type	3 m	1 m	Description
		25 A	KY-D 2424-L(C8P3)-R(C3P1)-STD3 (STD1)	Unpainted	3182936	3183160	<ul style="list-style-type: none"> <li>Used for three-phase distribution in lighting fixture circuits equipped with DALI ballasts and emergency kits, together with DALI + Emergency (DALI + EMG) and single-phase tap-off plugs, enabling control via the DALI protocol.</li> </ul>
			KY-D 2424-B-L(C8P3)-R(C3P1)-STD3 (STD1)	Painted	3183277	3183531	
		40 A	KY-D 4444-L(C8P3)-R(C3P1)-STD3 (STD1)	Unpainted	3182975	3183199	
			KY-D 4444-B-L(C8P3)-R(C3P1)-STD3 (STD1)	Painted	3183321	3183575	

■ KY-D Busbar with the same current rating on both sides.

Conductor Model		Busbar No	4+5 CONDUCTOR CONSTRUCTION	$\square$ D1-D2-L <sub>EMG</sub> -N <sub>EMG</sub> -PE <sub>(Housing)</sub>	$\square$ R L1-L2-L3-N-CPE	$\square$ L	$\square$ R
C8	C5	6	BUSBAR		Order Code		Addressing Type: <b>P3</b> <b>P2</b>
$\square$ L	$\square$ R	Current	Definition	Type	3 m	1 m	Description
		25 A	KY-D 2425-L(C8P3)-R(C5P2)-STD3 (STD1)	Unpainted	3182938	3183162	<ul style="list-style-type: none"> <li>Used for three-phase distribution in lighting fixture circuits equipped with DALI ballasts and emergency kits, where a clean protective earth (clean earth) is required. It is used together with DALI + Emergency (DALI + EMG) and single-phase tap-off plugs, enabling control through the DALI protocol.</li> </ul>
			KY-D 2425-B-L(C8P3)-R(C5P2)-STD3 (STD1)	Painted	3183279	3183533	
		40 A	KY-D 4445-L(C8P3)-R(C5P2)-STD3 (STD1)	Unpainted	3182977	3183201	
			KY-D 4445-B-L(C8P3)-R(C5P2)-STD3 (STD1)	Painted	3183323	3183577	

■ KY-D Busbar with the same current rating on both sides.

Conductor Model		Busbar No	4+2 CONDUCTOR CONSTRUCTION	$\square$ D1-D2-L-N-PE <sub>(Housing)</sub>	$\square$ R L <sub>EMG</sub> -N <sub>EMG</sub>	$\square$ L	$\square$ R
C8	C1	7	BUSBAR		Order Code		Addressing Type: <b>P3</b> <b>P1</b>
$\square$ L	$\square$ R	Current	Definition	Type	3 m	1 m	Description
		25 A	KY-D 2422-L(C8P3)-R(C1P1)-STD3 (STD1)	Unpainted	3182941	3183165	<ul style="list-style-type: none"> <li>Used for single-phase distribution in lighting fixture circuits equipped with DALI ballasts and emergency kits. It is used together with DALI + Single-Phase and Emergency (EMG) tap-off plugs, enabling control through the DALI protocol.</li> </ul>
			KY-D 2422-B-L(C8P3)-R(C1P1)-STD3 (STD1)	Painted	3183282	3183536	
		40 A	KY-D 4442-L(C8P3)-R(C1P1)-STD3 (STD1)	Unpainted	3182980	3183204	
			KY-D 4442-B-L(C8P3)-R(C1P1)-STD3 (STD1)	Painted	3183326	3183580	

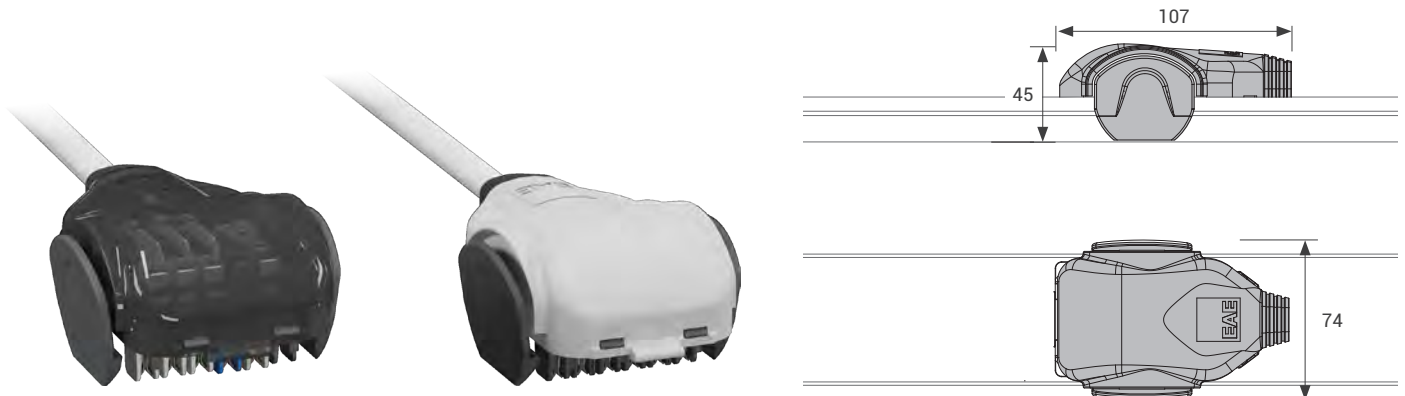
■ KY-D Busbar with the same current rating on both sides.

Conductor Model		Busbar No	6+2 CONDUCTOR CONSTRUCTION	$\square$ D1-D2-L1-L2-L3-N-PE <sub>(Housing)</sub>	$\square$ R L <sub>EMG</sub> -N <sub>EMG</sub>	$\square$ L	$\square$ R
C11	C1	8	BUSBAR		Order Code		Addressing Type: <b>P4</b> <b>P1</b>
$\square$ L	$\square$ R	Current	Definition	Type	3 m	1 m	Description
		25 A	KY-D 2622-L(C11P4)-R(C1P1)-STD3 (STD1)	Unpainted	3182934	3183158	<ul style="list-style-type: none"> <li>Used for single-phase distribution in lighting fixture circuits equipped with DALI ballasts and emergency kits. It is used together with DALI + Single-Phase and Emergency (EMG) tap-off plugs, enabling control through the DALI protocol.</li> </ul>
			KY-D 2622-B-L(C11P4)-R(C1P1)-STD3 (STD1)	Painted	3183281	3183535	
		40 A	KY-D 4642-L(C11P4)-R(C1P1)-STD3 (STD1)	Unpainted	3182973	3183197	
			KY-D 4642-B-L(C11P4)-R(C1P1)-STD3 (STD1)	Painted	3183325	3183579	

■ KY-D Busbar with the same current rating on both sides.

# E-LINE KY-D

## KY-D Busbar Tap-Off Plug Selection Tables



### Colour Definitions in Plugs

LOWER HOUSING AND EAR	ADDRESSING TYPE (*)
GRAY	P1
LIGHT GRAY	P2
RED	P3
BLACK	P4

UPPER HOUSING	PROPERTIES
LIGHT GRAY	SIMPLE AND WITH CLIPS
TRANSPARENT SMOKY	CARTRIDGE (CYLINDRICAL) FUSE

CABLE GLAND	PHASE/CMD/SIGNAL
BROWN	L1 / S1
BLACK	L2 / S2
GRAY	L / L3 / S3
ORANGE	L1 / L2 / L3
YELLOW	DALI

### General Descriptions:

- The cross-section of the cable supplied with BL-10 A simple plugs is 0.75mm<sup>2</sup>, its type is 052XZ1-F or H05VV-F, and its length is 75cm.
- The cross-section of the cable supplied with B-16 A simple plugs is 1.5mm<sup>2</sup>, its type is 052XZ1-F or H05VV-F, and its length is 75cm.
- In FS-16 A Cartridge (Cylindrical) fused plugs, the fuse base is 5x20 mm and the cartridge is not included. It can be ordered separately as needed.
- In plugs with K-16 A Terminals, the terminals are suitable for cables with a cross-section of 1.5 - 2.5mm<sup>2</sup>.

### CAUTION:

(\*) The compatibility of the selected busbar and tap-off plugs is ensured by "addressing pins". If the selected plug does not fit into the busbar current plug-in openings, please do not cut the pins.

### KY-D Busbar Tap-Off Plugs: Table-01

**BUSBAR NO: ①**

C1	Conductor Model	C1
P1	Addressing Type	P1
2	Number of Conductors	2

Power Plug

L/N/PE

→

**L**

25A  
40A

L  
N

L<sub>EMG</sub>  
N<sub>EMG</sub>

**R**

25A  
40A

←

Emergency (Emg.)  
Kit Supplied Power Plugs

L<sub>EMG</sub>/N<sub>EMG</sub>/PE

Order Code	Description	Current	Cable			Order Code
			Cross Section (mm <sup>2</sup> )	Type	Length (m)	
3196707	(BL) Simple - HF	10 A	3x0,75	052XZ1-F	0,75	3196747
3196538	(BL) Simple - Normal			H05VV-F		3196614
3196718	(B) Simple - HF	16 A	3x1,5	052XZ1-F	0,75	3196615
3196546	(B) Simple - Normal			(5X1,5)		3196748
3196559	(FS) Cartridge (Cylindrical) Fuse	16 A	Without cable			3196755
3196571	(K) with Clips	16 A	Without cable			3196628

KY-D Busbar Tap-Off Plugs: **Table-02**

**BUSBAR NO: ②**

Power Plugs				C3				C3			
L1/L2/L3/N/PE	L3/N/PE	L2/N/PE	L1/N/PE	Conductor Model				Conductor Model			
				P1				P1			
				4				4			
				Addressing Type				Addressing Type			
				Number of Conductors				Number of Conductors			

→

**L**

25A  
40A

←

**R**

25A  
40A

Power Plugs				TAP-OFF PLUG				Power Plugs				
L1/N/PE	L2/N/PE	L3/N/PE	L1/L2/L3/N/PE	Description	Current	Cable			Order Code	Order Code	Order Code	Order Code
						Cross Section (mm²)	Type	Length (m)				
				(BL) Simple - HF	10 A	3x0,75	052XZ1-F	0,75	3179153	3179154	3179155	--
				(BL) Simple - Normal			H05VV-F		3194587	3194588	3194589	--
(*) 3196717	3177342	3177341	3177340	(B) Simple - HF	16 A	3x1,5	052XZ1-F	0,75	3177340	3177341	3177342	3196717 (*)
(*) 3196545	3196716	3196715	3196714	(B) Simple - Normal		(5x1,5)	H05VV-F		3196714	3196715	3196716	3196545 (*)
3196558	3196557	3196556	3196555	(FS) Cartridge (Cylindrical) Fuse	16 A		Without cable		3196555	3196556	3196557	3196558
3179159	3179158	3179157	3179156	(K) with Clips	16 A		Without cable		3179156	3179157	3179158	3179159

■ (\*) Cable cross-sections in parentheses are used in tap-off plugs marked (\*).

KY-D Busbar Tap-Off Plugs: **Table-03**

**BUSBAR NO: ③**

Power Plugs (With Clean Protection Conductor - Clean Earth)				C5				C5			
L1/L2/L3/N/CPE	L3/N/CPE	L2/N/CPE	L1/N/CPE	Conductor Model				Conductor Model			
				P2				P2			
				5				5			
				Addressing Type				Addressing Type			
				Number of Conductors				Number of Conductors			

→

**L**

25A  
40A

←

**R**

25A  
40A

Power Plugs (With Clean Protection Conductor - Clean Earth)				TAP-OFF PLUG				Power Plugs (With Clean Protection Conductor - Clean Earth)				
L1/N/CPE	L2/N/CPE	L3/N/CPE	L1/L2/L3/N/CPE	Description	Current	Cable			Order Code	Order Code	Order Code	Order Code
						Cross Section (mm²)	Type	Length (m)				
				(BL) Simple - HF	10 A	3x0,75	052XZ1-F	0,75	--	--	--	--
				(BL) Simple - Normal			H05VV-F		--	--	--	--
(*) 3196722	3196721	3196720	3196719	(B) Simple - HF	16 A	3x1,5	052XZ1-F	0,75	3196719	3196720	3196721	3196722 (*)
(*) 3196550	3196549	3196548	3196547	(B) Simple - Normal		(5x1,5)	H05VV-F		3196547	3196548	3196549	3196550 (*)
3196563	3196562	3196561	3196560	(FS) Cartridge (Cylindrical) Fuse	16 A		Without cable		3196560	3196561	3196562	3196563
3196575	3196574	3196573	3196572	(K) with Clips	16 A		Without cable		3196572	3196573	3196574	3196575

■ (\*) Cable cross-sections in parentheses are used in tap-off plugs marked (\*).

### KY-D Busbar Tap-Off Plugs: Table-05

**BUSBAR NO: 5**

**DALI +Emergency (Emg.) Kit Supplied Power Plugs (Common Neutral)**  
 DALI + Power Plug (DALI)  
 D1/D2/L<sub>EMG</sub>/N<sub>EMG</sub>/PE D1/D2/PE

C8	Conductor Model	C3
P3	Addressing Type	P1
4	Number of Conductors	4

25A  
40A

**Power Plugs**

L1/N/PE L2/N/PE L3/N/PE L1/L2/L3/N/PE

Order Code	Order Code	Description	Current	Cable			
				Cross-Section (mm <sup>2</sup> )		Type	Length (m)
				DALI	POWER		
3196758	3280449	(BL) Simple - HF	10 A	3x0,75	3x0,75	052XZ1-F	0,75
3196631	3280450	(BL) Simple - Normal		(5x0,75)	(5x0,75)	H05VV-F	
3196629	3280451	(B) Simple - HF	16 A	3x1,5	3x1,5	052XZ1-F	0,75
3196756	3280452	(B) Simple - Normal		(5x1,5)	(5x1,5)	H05VV-F	
3196759	3280453	(FS) Cartridge (Cylindrical) Fuse	16 A	Without cable			
3196632	3280454	(K) with Clips	16 A	Without cable			

Order Code	Order Code	Order Code	Order Code
3179153	3179154	3179155	--
3194587	3194588	3194589	--
3177340	3177341	3177342	3196717 (*)
3196714	3196715	3196716	3196545 (*)
3196555	3196556	3196557	3196558
3179156	3179157	3179158	3179159

■ (\*) Cable cross-sections in parentheses are used in tap-off plugs marked (\*).

### KY-D Busbar Tap-Off Plugs: Table-06

**BUSBAR NO: 6**

**DALI +Emergency (Emg.) Kit Supplied Power Plugs (Common Neutral)**  
 DALI + Power Plug (DALI)  
 D1/D2/L<sub>EMG</sub>/N<sub>EMG</sub>/PE D1/D2/PE

C8	Conductor Model	C5
P3	Addressing Type	P2
4	Number of Conductors	5

25A  
40A

**Power Plugs**  
(With Clean Protection Conductor - Clean Earth)

L1/N/CPE L2/N/CPE L3/N/CPE L1/L2/L3/N/CPE

Order Code	Order Code	Description	Current	Cable			
				Cross-Section (mm <sup>2</sup> )		Type	Length (m)
				DALI	POWER		
(*) 3196758	3280449	(BL) Simple - HF	10 A	3x0,75	3x0,75	052XZ1-F	0,75
(*) 3196631	3280450	(BL) Simple - Normal		(5x0,75)	(5x0,75)	H05VV-F	
(*) 3196629	3280451	(B) Simple - HF	16 A	3x1,5	3x1,5	052XZ1-F	0,75
(*) 3196756	3280452	(B) Simple - Normal		(5x1,5)	(5x1,5)	H05VV-F	
3196759	3280453	(FS) Cartridge (Cylindrical) Fuse	16 A	Without cable			
3196632	3280454	(K) with Clips	16 A	Without cable			

Order Code	Order Code	Order Code	Order Code
--	--	--	--
--	--	--	--
3196719	3196720	3196721	3196722 (*)
3196547	3196548	3196549	3196550 (*)
3196560	3196561	3196562	3196563
3196572	3196573	3196574	3196575

■ (\*) Cable cross-sections in parentheses are used in tap-off plugs marked (\*).

### KY-D Busbar Tap-Off Plugs: Table-07

**BUSBAR NO: 7**

<b>C8</b>	<b>Conductor Model</b>	<b>C1</b>
<b>P3</b>	<b>Addressing Type</b>	<b>P1</b>
<b>4</b>	<b>Number of Conductors</b>	<b>2</b>

**DALI + Power Plug**

D1/D2/L/N/PE

**L**

25A  
40A

D1  
D2  
L  
N

L<sub>EMG</sub>  
N<sub>EMG</sub>

PE PE

**R**

25A  
40A

**Order Code**

3196758

3196631

3196629

3196756

3196759

3196632

**TAP-OFF PLUG**

Description	Current	Cable			
		Cross-Section (mm <sup>2</sup> )		Type	Length (m)
		EMG	DALI		
(BL) Simple - HF	10 A	3x0,75	5x0,75	052XZ1-F	0,75
(BL) Simple - Normal	10 A			H05VV-F	
(B) Simple - HF	16 A			052XZ1-F	0,75
(B) Simple - Normal	16 A	3x1,5	5x1,5	H05VV-F	
(FS) Cartridge (Cylindrical) Fuse	16 A			Without cable	
(K) with Clips	16 A			Without cable	

**Order Code**

3196747

3196614

3196615

3196748

3196755

3196628

### KY-D Busbar Tap-Off Plugs: Table-08

**BUSBAR NO: 8**

<b>C11</b>	<b>Conductor Model</b>	<b>C1</b>
<b>P4</b>	<b>Addressing Type</b>	<b>P1</b>
<b>6</b>	<b>Number of Conductors</b>	<b>2</b>

**DALI + Power Plugs**

D1/D2/L3/N/PE    D1/D2/L2/N/PE    D1/D2/L1/N/PE

**L**

25A  
40A

D1  
D2  
L1  
L2  
L3  
N

L<sub>EMG</sub>  
N<sub>EMG</sub>

PE PE

**R**

25A  
40A

**Order Code**

3196739

3196594

3196745

3196600

3196606

3196612

**Order Code**

3196738

3196593

3196744

3196599

3196605

3196611

**Order Code**

3196737

3196592

3196743

3196598

3196604

3196610

**TAP-OFF PLUG**

Description	Current	Cable			
		Cross-Section (mm <sup>2</sup> )		Type	Length (m)
		POWER	DALI		
(BL) Simple - HF	10 A	3x0,75	5x0,75	052XZ1-F	0,75
(BL) Simple - Normal	10 A			H05VV-F	
(B) Simple - HF	16 A			052XZ1-F	0,75
(B) Simple - Normal	16 A	3x1,5	5x1,5	H05VV-F	
(FS) Cartridge (Cylindrical) Fuse	16 A			Without cable	
(K) with Clips	16 A			Without cable	

**Order Code**

3196747

3196614

3196615

3196748

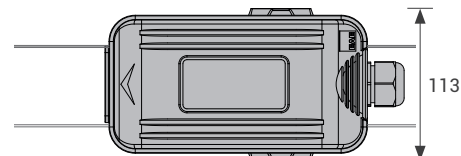
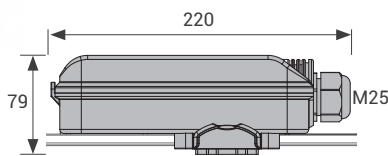
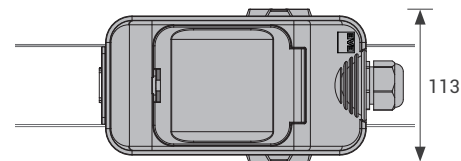
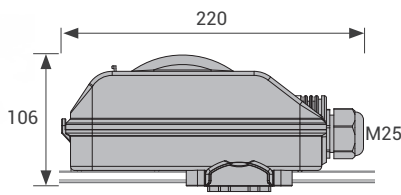
3196755

3196628

■ (\*) Cable cross-sections in parentheses are used in tap-off plugs marked (\*).

# E-LINE KY-D

## KY-D Busbar Tap-Off Box Selection Tables



### Colour Definitions in Tap-off Boxes

#### LOWER HOUSING

- DARK GRAY
- LIGHT GRAY

#### General Descriptions:

- In FS-32 A Cartridge (cylindrical) fused boxes, the fuse base is 10x38 mm and the cartridge is not included. It should be ordered separately as needed.
- In empty boxes suitable for (MCB)-S empty 32 A MCB, "DIN RAIL" is included, but MCB not included. It should be provided separately as needed.

#### CAUTION :

(\*) The compatibility of the selected busbar and tap-off boxes is ensured by "addressing pins". If the selected box does not fit into the busbar current plug-in openings, please do not cut the pins.

### KY-D Busbar Tap-Off Boxes: Table-01

Power Tap-off Boxes				BUSBAR NO: ②		Power Tap-off Boxes					
L1/L2/L3/N/PE	L3/N/PE	L2/N/PE	L1/N/PE	C3	Conductor Model	C3	L1/N/PE	L2/N/PE	L3/N/PE	L1/L2/L3/N/PE	
				P1	Addressing Type	P1					
				4	Number of Conductors	4					
<p>(Empty) Power Tap-off Boxes suitable for MCB</p>				<p>L 25A 40A</p>	<p>R 25A 40A</p>	<p>(Empty) Power Tap-off Boxes suitable for MCB</p>					
<p>Cartridge (Cylindrical) Fuse Power Tap-off Boxes</p>				<p>L 25A 40A</p>	<p>R 25A 40A</p>	<p>Cartridge (Cylindrical) Fuse Power Tap-off Boxes</p>					
Order Code	Order Code	Order Code	Order Code	TAP-OFF BOXES				Order Code	Order Code	Order Code	Order Code
3179160	3196686	3196685	3196684	Current	Cross Section (mm <sup>2</sup> )	Terminal (mm <sup>2</sup> )	Fuse Base	3196684	3196685	3196686	3179160
3196665	3196663	3196662	3196661	(S) Suitable for MCB (Empty)				3196661	3196662	3196663	3196665
				32 A	Without cable	-	DIN RAY				
				(FS) Cartridge (Cylindrical) Fuse							
				32 A	Without cable	2,5-4	10x38mm				

# E-LINE KY-D

## KY-D DALI Busbar Tap-Off Box Selection Tables



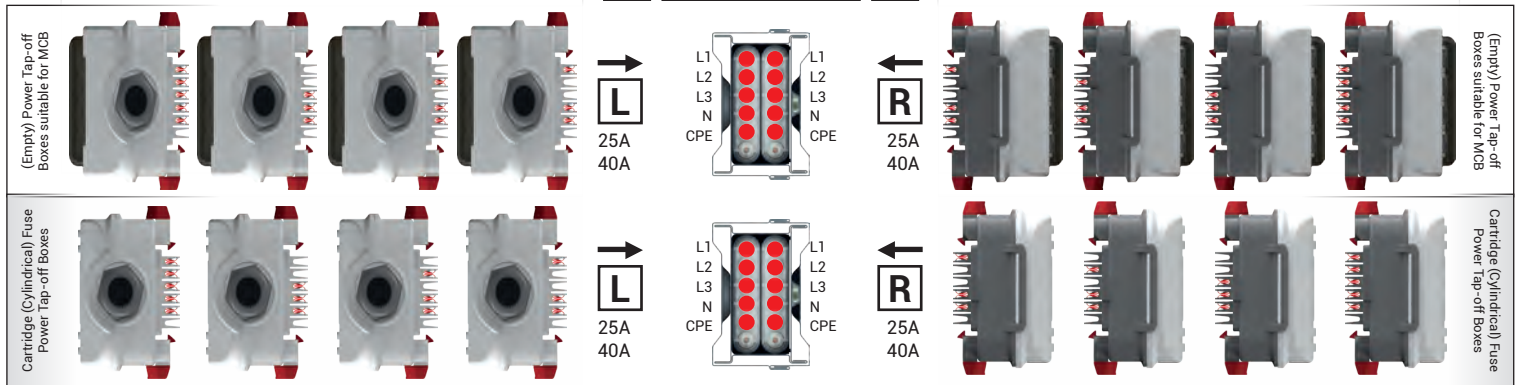
KY-D Busbar Tap-Off Boxes: **Table-02**

BUSBAR NO: ③

**Power Tap-off Boxes**  
(With Clean Protection Conductor - Clean Earth)

C5	Conductor Model	C5
P2	Addressing Type	P2
5	Number of Conductors	5

**Power Tap-off Boxes**  
(With Clean Protection Conductor - Clean Earth)



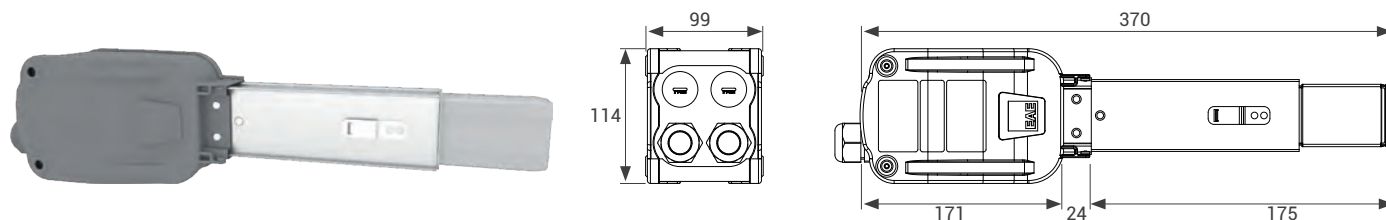
Order Code	Order Code	Order Code	Order Code
3196693	3196691	3196690	3196689
3196670	3196668	3196667	3196666

TAP-OFF BOXES			
Current	Cross Section (mm <sup>2</sup> )	Terminal (mm <sup>2</sup> )	Fuse Base
(S) Suitable for MCB (Empty)			
32 A	Without cable	-	DIN RAY
(FS) Cartridge (Cylindrical) Fuse			
32 A	Without cable	2,5-4	10x38mm

Order Code	Order Code	Order Code	Order Code
3196689	3196690	3196691	3196693
3196666	3196667	3196668	3196670

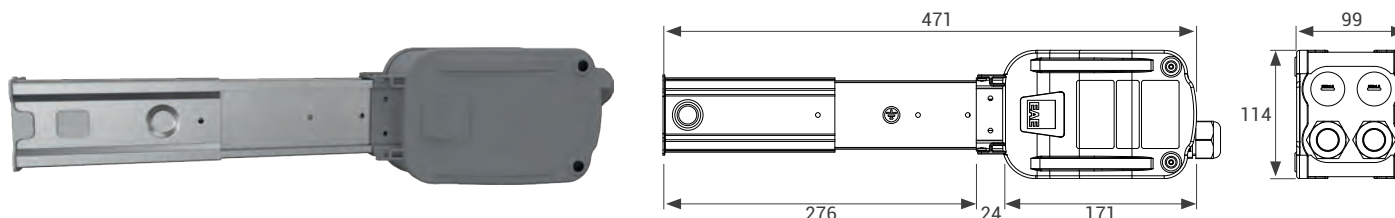
# E-LINE KY-D

## Feeder Box Module (B1) Selection Table



Ky-D Feeder Box (B1) Selection Table				
Current (A)	Description	BUSBAR NO	Order Code	
			Unpainted	Painted
25	KY-D 2424-B1 Feeder Box	1 2 5 7	3407535	3407543
	KY-D 2626-B1 Feeder Box	3 6 8	3407536	3407544
40	KY-D 4444-B1 Feeder Box	1 2 5 7	3407538	3407546
	KY-D 4646-B1 Feeder Box	3 6 8	3407539	3407547

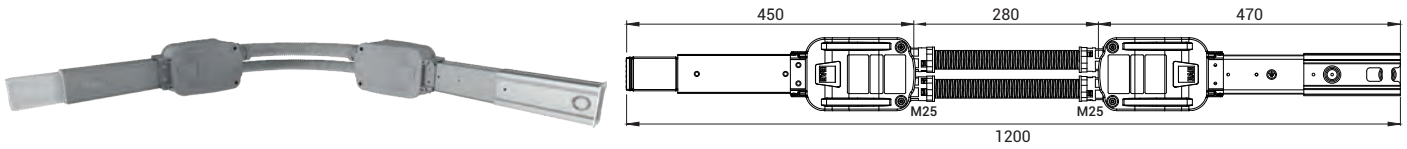
## End Feeder Box Module (B2) Selection Table



KY-D End Feeder Box (B2) Selection Table				
Current (A)	Description	BUSBAR NO	Order Code	
			Unpainted	Painted
25	KY-D 2424-B2 End Feeder Box	1 2 5 7	3407551	3407559
	KY-D 2626-B2 End Feeder Box	3 6 8	3407552	3407560
40	KY-D 4444-B2 End Feeder Box	1 2 5 7	3407554	3407562
	KY-D 4646-B2 End Feeder Box	3 6 8	3407555	3407563

# E-LINE KY-D

## Flexible Elbow (FD) Module Selection Table



BUSBAR NO	Product Type	Current (A)	Unpainted		Painted	
			Order Code	Description	Order Code	Description
1 2 3	KY-D BUSBAR	25	3200630	KY-D 2626-FD	3201414	KY-D 2626-B-FD
5 6 7 8						

1 2 3	KY-D BUSBAR	40	3200627	KY-D 4646-FD	3201408	KY-D 4646-B-FD
5 6 7 8	KY-D-DALI BUSBAR					

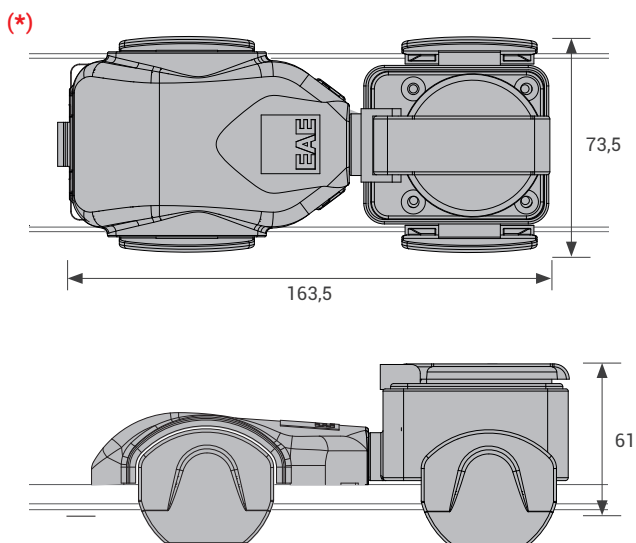
# E-LINE KY-D

## Accessories



### Integrated Cartridge Fused Tap-Off Plug with Schuko Socket Adapter (240V, L/N/PE, 1x16A Socket Included)

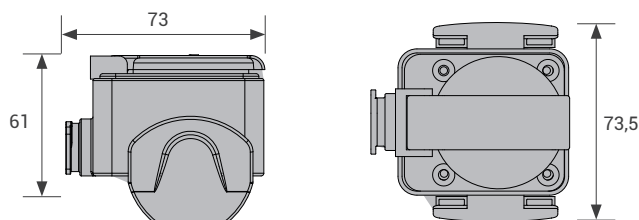
Description	Order Code
KY 16A-FS Power Plug - L1- P1	3247085
KY 16A-FS Power Plug - L2- P1	3247086
KY 16A-FS Power Plug - L3- P1	3247088



(\*) With Tap-Off Plug: 20x5mm and 15A cylindrical fuse cartridges are included.

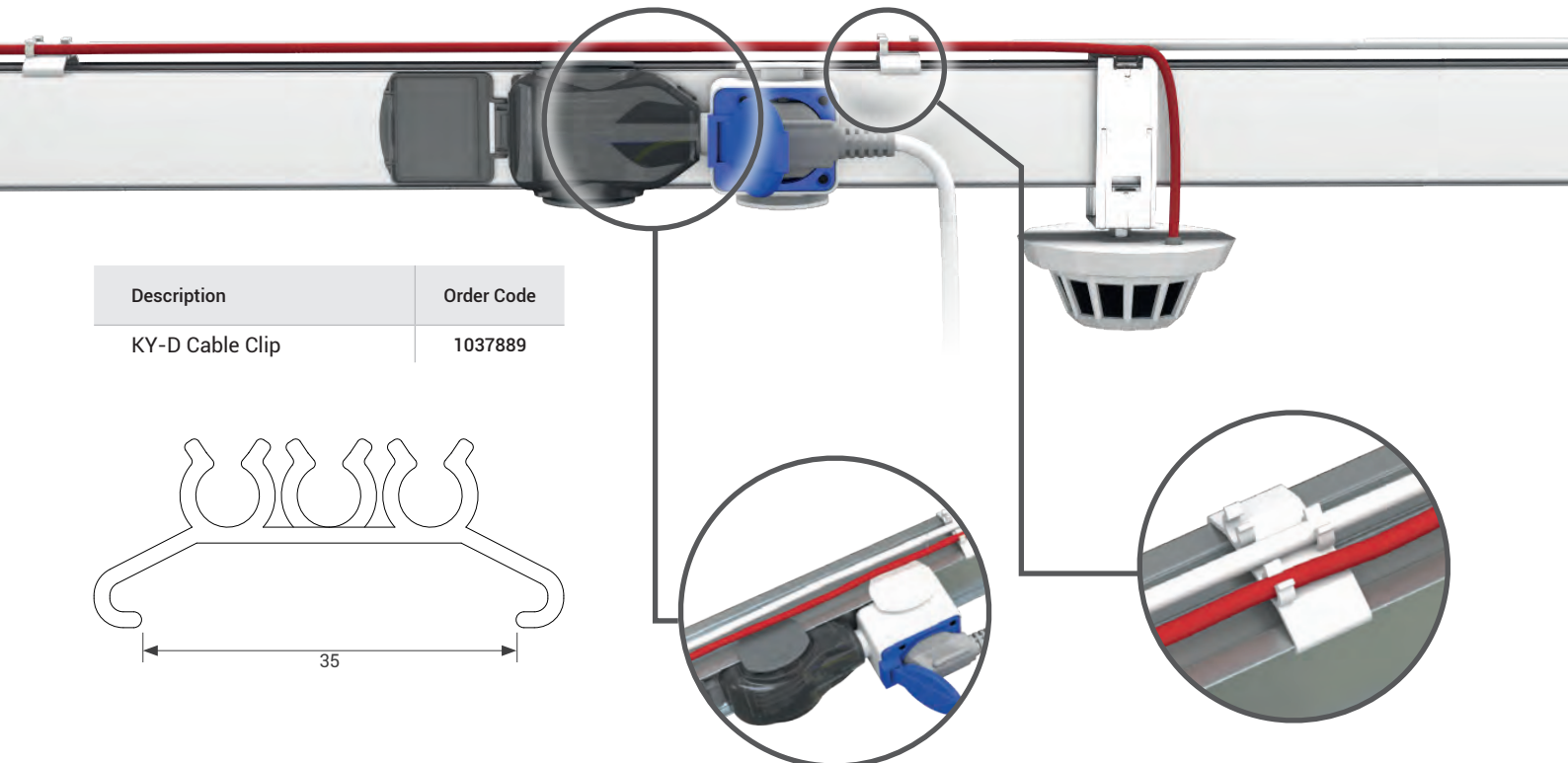
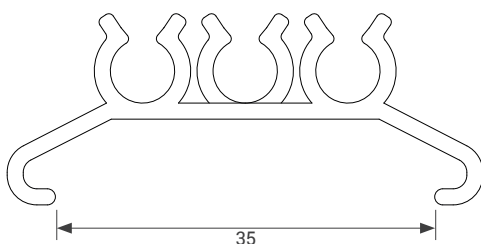
### Schuko Socket Adapter (Including Socket)

Description	Order Code
KY-S Schuko Socket Adapter	2111756



■ Tap-Off Plug is not included in the adapter and should be ordered separately if needed.

Description	Order Code
KY-D Cable Clip	1037889

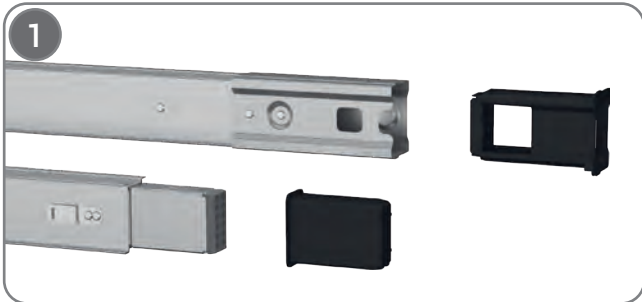


# E-LINE KY-D

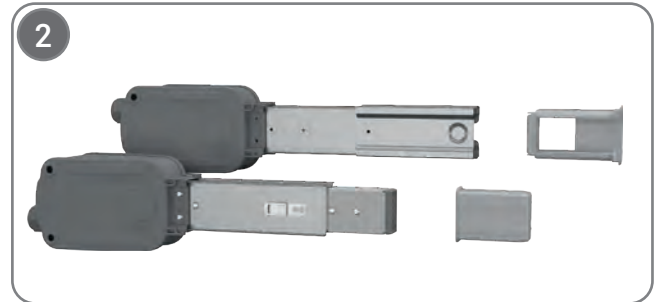
## Protection and End Closer Covers



**Note:** Be sure to use the end closer plastics during installation.



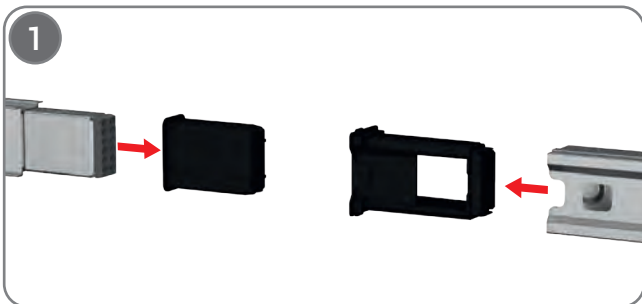
The **protection** plastics is in "black" colour and is supplied on the busbar. It will be discarded before assembly.



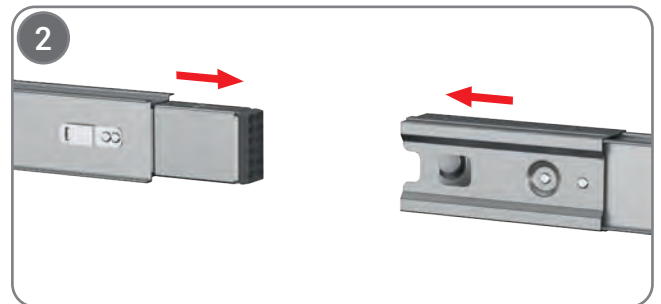
The **end closer** plastics are in "gray" and are supplied on the feeders. It will be disassembled before installation and used as an end closer.

## Installing Busbar Joint

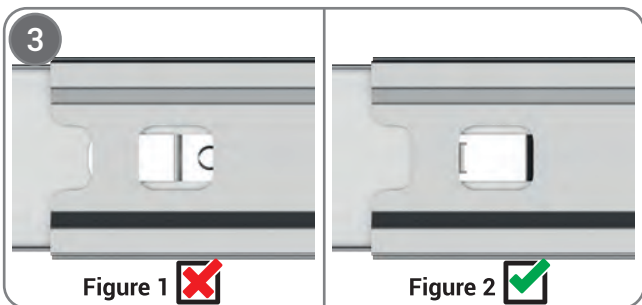
**Note:** There is no need for any other operation such as bolt tightening and hand tools.



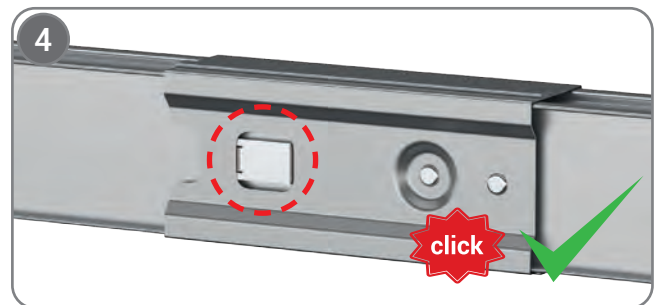
Remove and discard the protection plastics on the busbar ends.



Slide one end of the busbar into the joint module on the other side.



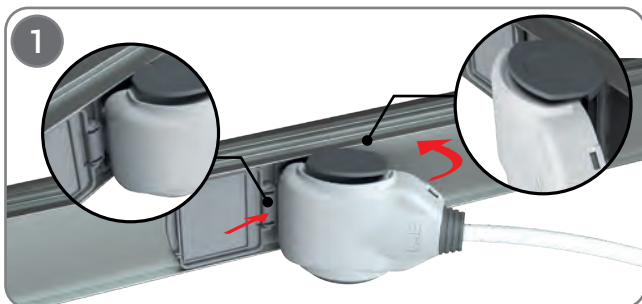
Quickly push the two busbars so that they are clamped as in Figure 2.



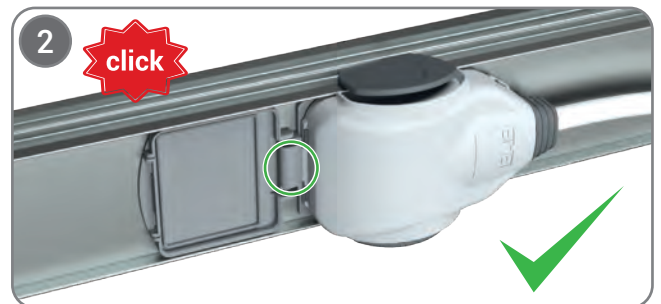
Make sure you hear the clicking sound for correct connection.

## Simple Tap-Off Plug Installation

**Note:** Simple plugs are supplied with the cable attached, ready to use.



Open the closed plug-in opening cover on the busbar. The tap off plug should be installed in the direction as stated in the figure. Tabs which located on the edge of the tap off plug must be installed to the current output windows which located on busbar itself with an angular position. Tap off plug should be positioned parallel to the busbar.



Spring type parts located on the edges of the tap off plug should be installed by pressing to the busbar by making sure of its totally merged.

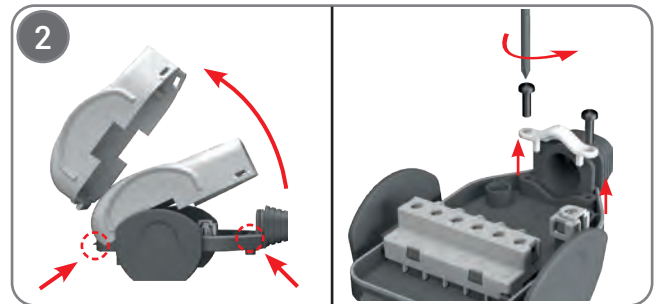
**(Caution:** Make sure fixing the plug to the busbar properly.)

# E-LINE KY-D

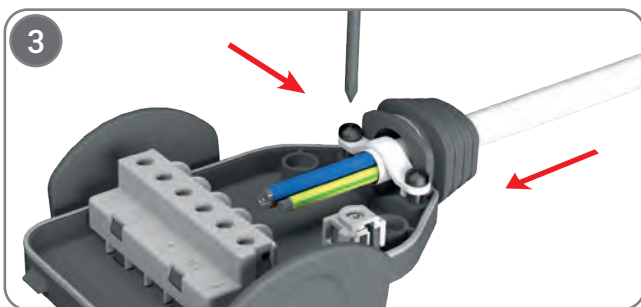
## Tap-off Plugs with clips/Cylindrical Fuse Installation



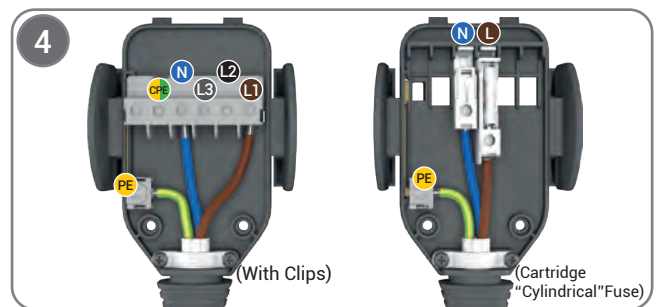
Turn the plug to be used upside down and remove two screws at bottom.



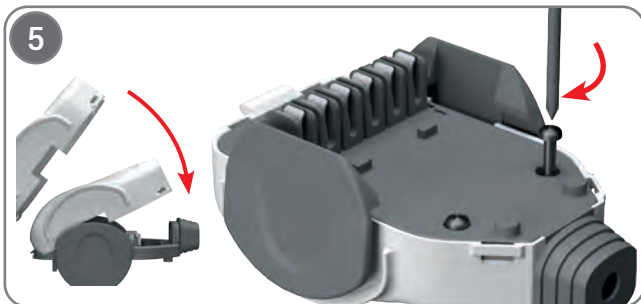
Remove the plug cover as shown in the figure. Remove the cable clamp by unscrewing the two screws.



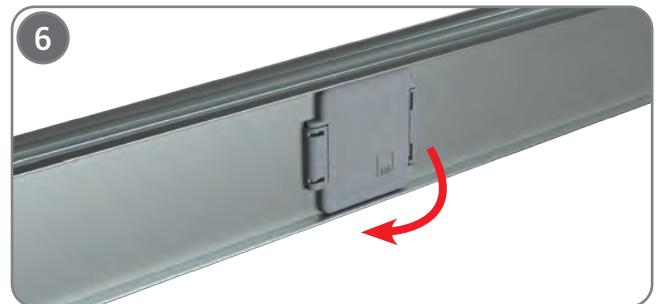
Pass the cable through the cable gland that provides IP protection to the plug and tighten both screws sufficiently by seating the cable clamp into place.



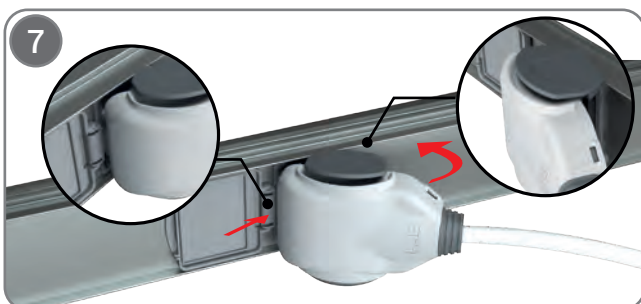
Please connect the yellow/green protective conductor to the earthing (PE) terminal, the blue neutral conductor cable to the neutral (N) terminal, and the other phase cable(s) to the relevant phase (L1, L2, L3) terminals. (**Caution:** Make sure that the terminal screws are tightened enough.)



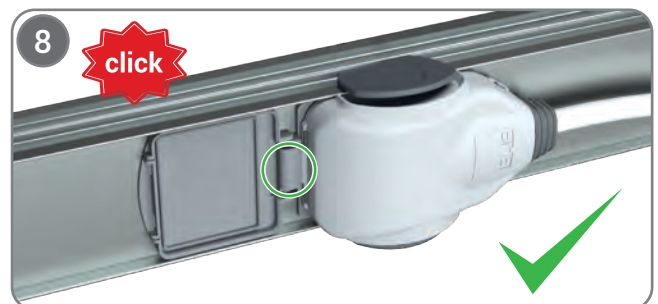
Replace the plug cover, turn the plug upside down and replace the two screws on the back.



Open the closed plug-in opening cover on the busbar.



The tap off plug should be installed in the direction as stated in the figure. Tabs which located on the edge of the tap off plug must be installed to the current output windows which located on busbar itself with an angular position. Tap off plug should be positioned parallel to the busbar.



Spring type parts located on the edges of the tap off plug should be installed by pressing to the busbar by making sure of its totally merged.

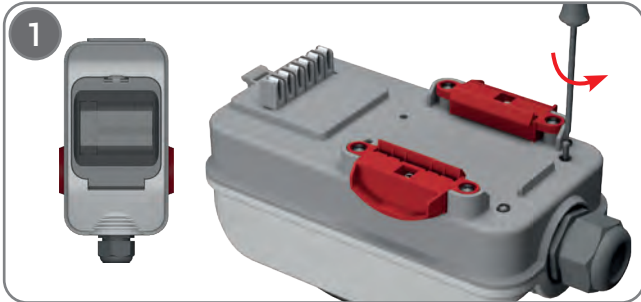
(**Caution:** Make sure fixing the plug to the busbar properly.)

# E-LINE KY-D

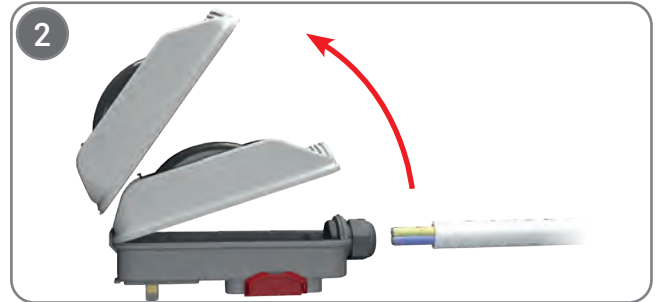
## Miniature Circuit Breaker (MCB) Tap-Off Box Installation



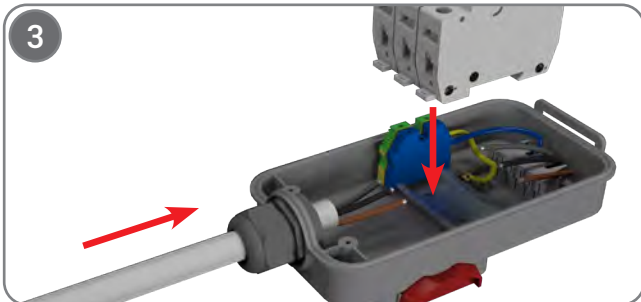
**Note:** Miniature circuit breaker (MCB) is not included in the product and is supplied as an empty DIN rail box. MCB must be ordered separately.



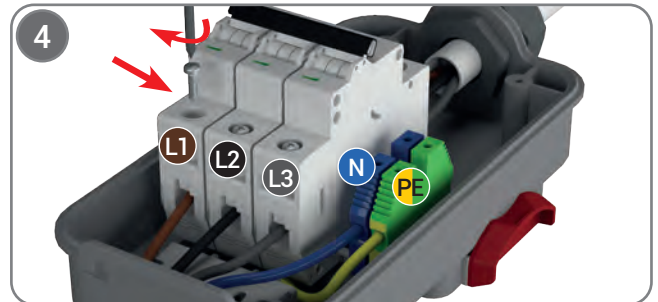
Turn the box to be used upside down and remove two screws at bottom.



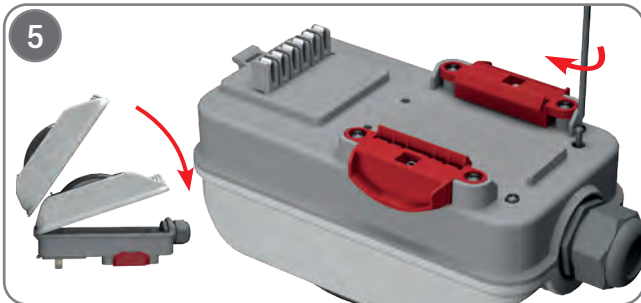
Open the cover of the box as shown in the figure and take it out.



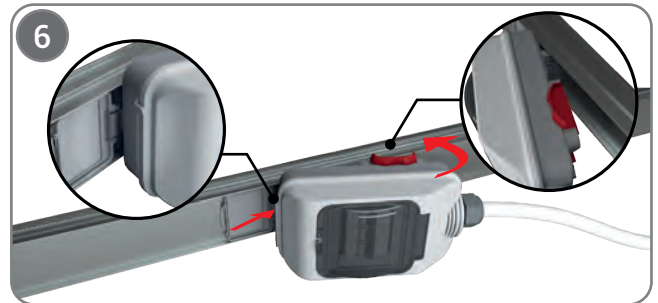
Pass the cable through the cable gland that provides IP protection to the box. Install the miniature circuit breaker (MCB) not exceeding the maximum 32A on the existing DIN rail in the box. (MCB should be in the "off" position.)



Please connect the yellow protective conductor to the earthing (PE) terminal, the blue neutral conductor cable to the neutral (N) terminal, and the other cables to the relevant phase (L1, L2, L3) terminals. Connect the existing cable ends from the contacts to the input terminals of the MCB in the same way. Complete the operation by tightening the cable gland sufficiently. **(Caution:** Make sure that the terminal screws are tightened enough.)



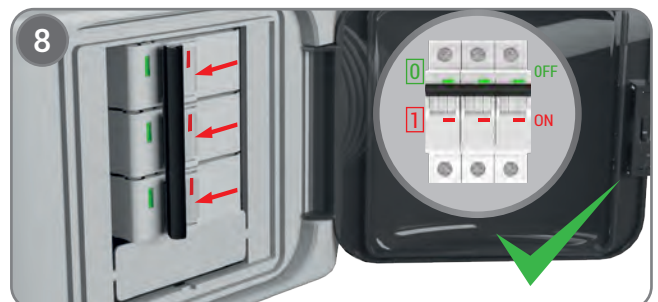
Replace the plug cover, turn the plug upside down and replace the two screws on the back.



Open the closed plug-in opening on the busbar. The insertion direction of the box should be as shown in the figure. Tabs which located on the edge of the tap off box must be installed to the current output windows which located on busbar itself with an angular position. Tap off box should be positioned parallel to the busbar.



Spring type parts which located on the edges of the tap off box should be installed by pressing to the busbar by making sure of its totally merged. **(Caution:** Make sure fixing the tap off box to the busbar properly.)

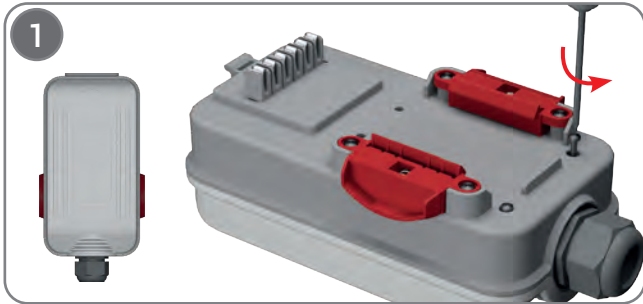


Switch miniature circuit breaker (MCB) to "ON" position and close the transparent cover.

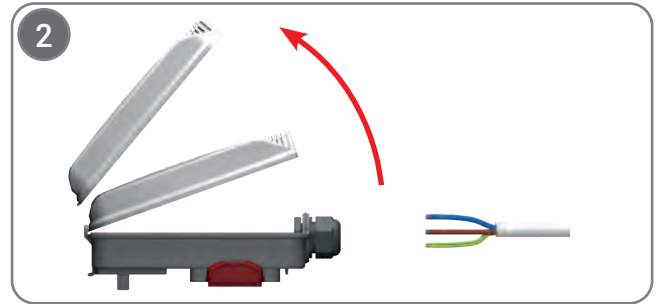
# E-LINE KY-D

## Tap-Off Box with Cartridge (Cylindrical) Fuse Installation

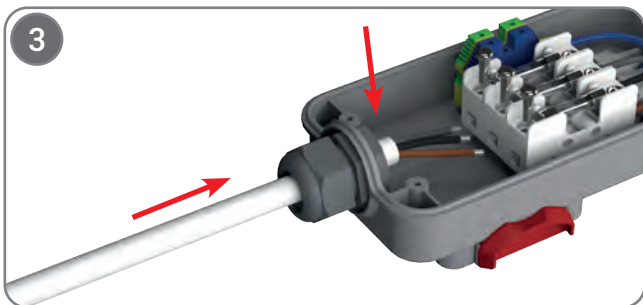
**Note:** In boxes with cartridge (cylindrical) fuses, a 10x38mm fuse base is included in the product, but the fuse cartridge is not included. The cylindrical fuse cartridge must be ordered separately.



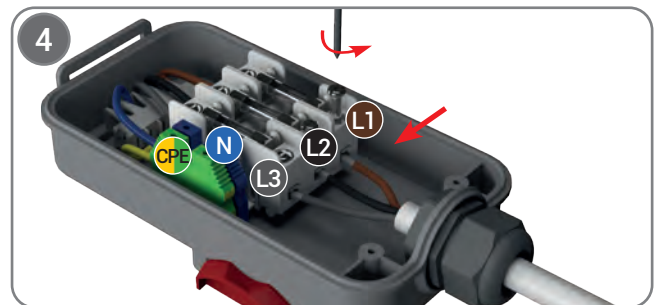
Turn the box to be used upside down and remove two screws at bottom.



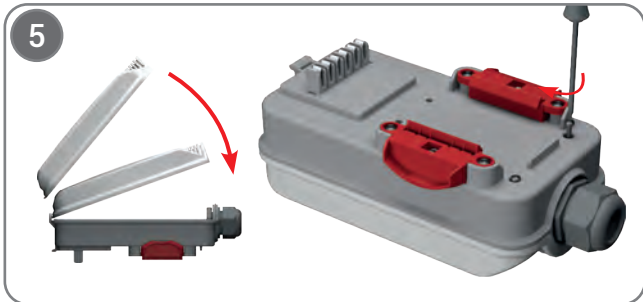
Open the cover of the box as shown in the figure and take it out.



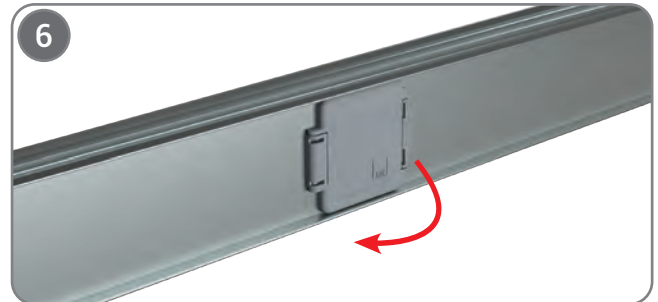
Pass the cable through the cable gland that provides IP protection to the box. Install cartridge (cylindrical) fuses up to a maximum of 32A on 10x38 mm bases.



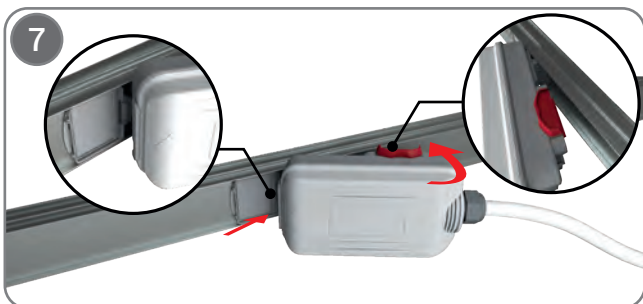
Please connect the yellow protective conductor to the earthing (PE) terminal, the blue neutral conductor cable to the neutral (N) terminal, and the other cables to the relevant phase (L1, L2, L3) terminals. Complete the operation by tightening the cable gland sufficiently. **(Caution:** Make sure that the terminal screws are tightened enough.)



Replace the box cover, turn the box upside down and replace the two screws on the back.



Open the closed plug-in opening cover on the busbar.



The tap off box should be installed in the direction as stated in the figure. Tabs which located on the edge of the tap off box must be installed to the current output windows which located on busbar itself with an angular position. Tap off box should be positioned parallel to the busbar.



Spring type parts which located on the edges of the tap off box should be installed by pressing to the busbar by making sure of its totally merged. **(Caution:** Make sure fixing the tap off box to the busbar properly.)

# E-LINE KY-D

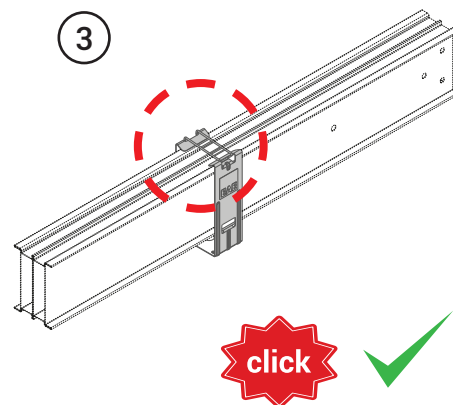
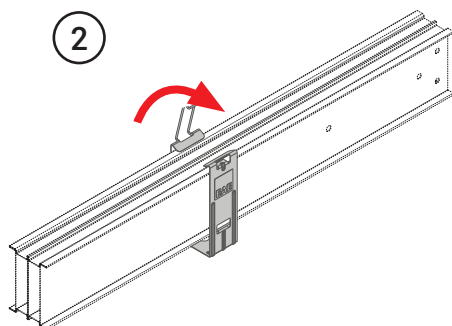
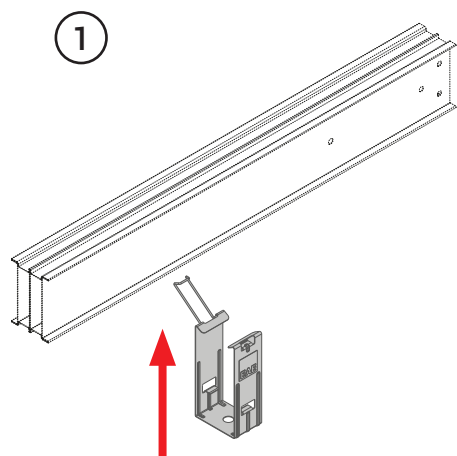
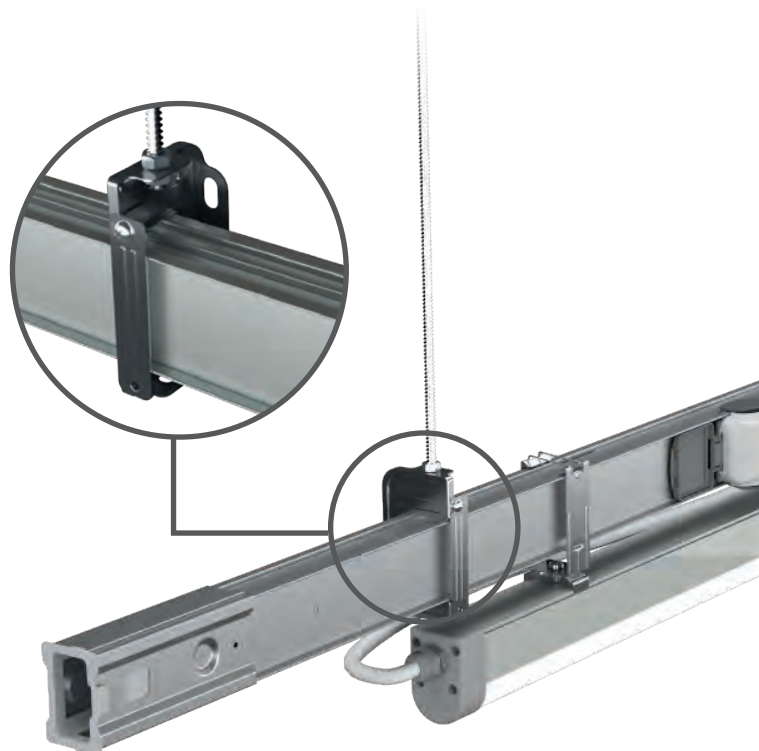
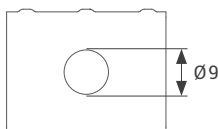
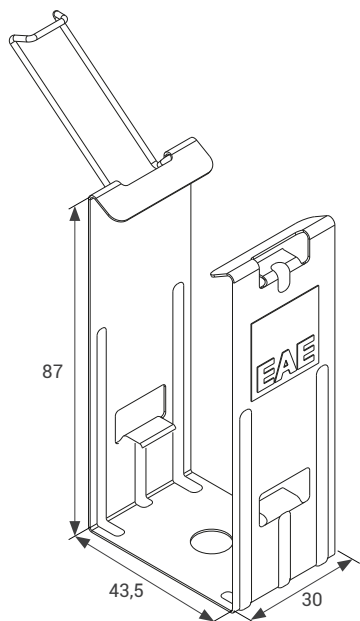
## Busbar and Fitting Brackets

### U Hanger (KY-D)



#### Luminaire Hanger

Description	Order Code
U Hanger - Unpainted (KY-D)	3141732
U Hanger - Painted (KY-D)	3281299



■ All dimensions are stated in "mm".

# E-LINE KY-D

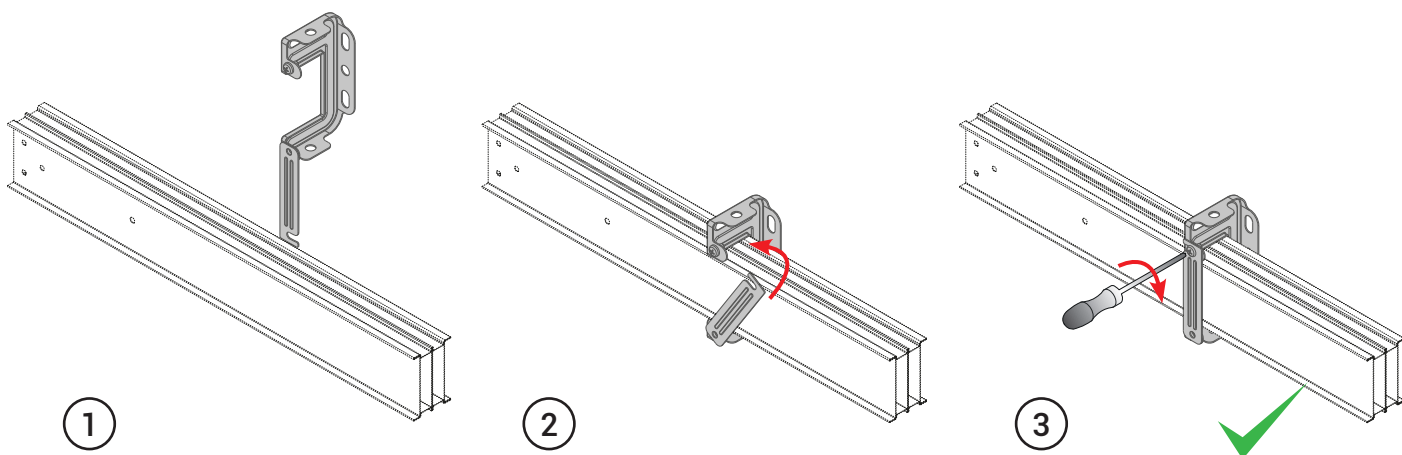
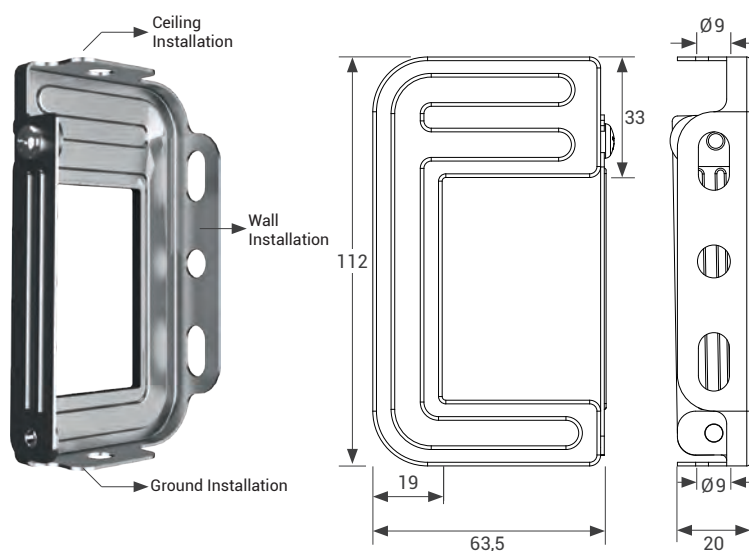
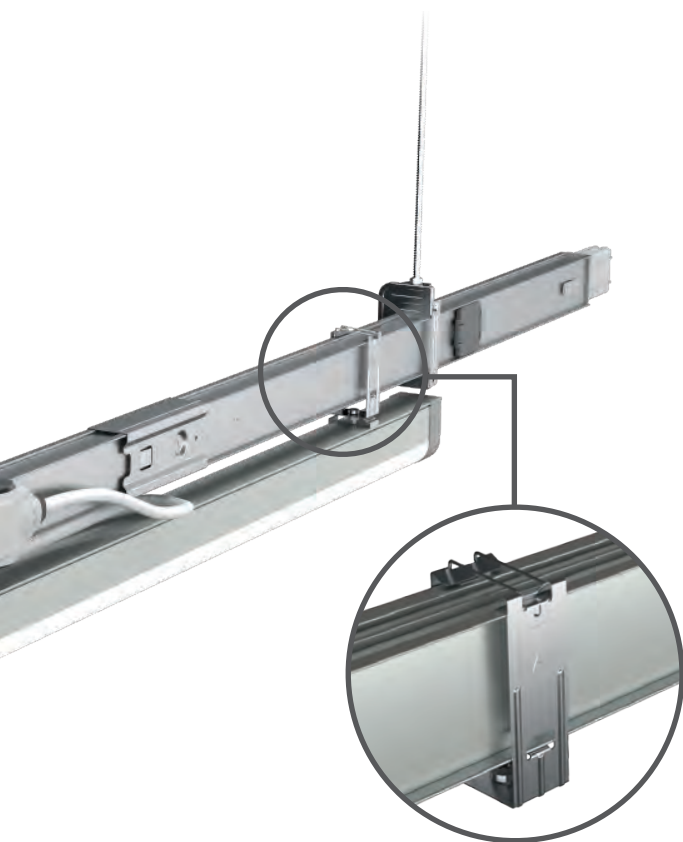
## Busbar and Fitting Brackets

### Universal Fitting Bracket (KY-D)



#### Busbar Hanger

Description	Order Code
Universal Fitting Bracket - Unpainted (KY-D) (M10)	3254909
Universal Fitting Bracket - Painted (KY-D) (M10)	3241428
Universal Fitting Bracket - Unpainted (KY-D) (M8)	3177558
Universal Fitting Bracket - Painted (KY-D) (M8)	3254911



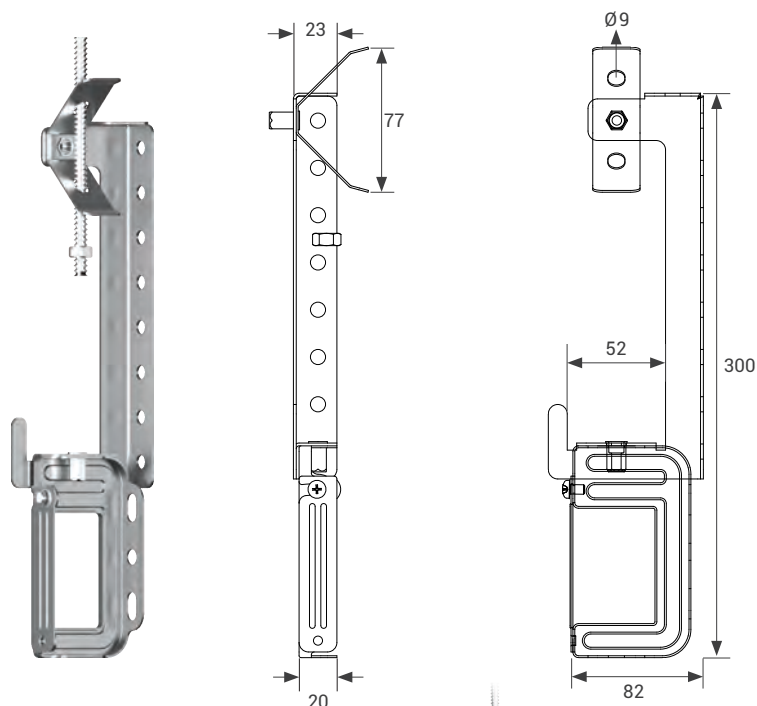
**CAUTION** : In long KY-D busbar lines, rigid hangers should be used at maximum every 25 meters to prevent lateral vibration and oscillation.

■ All dimensions are stated in "mm".

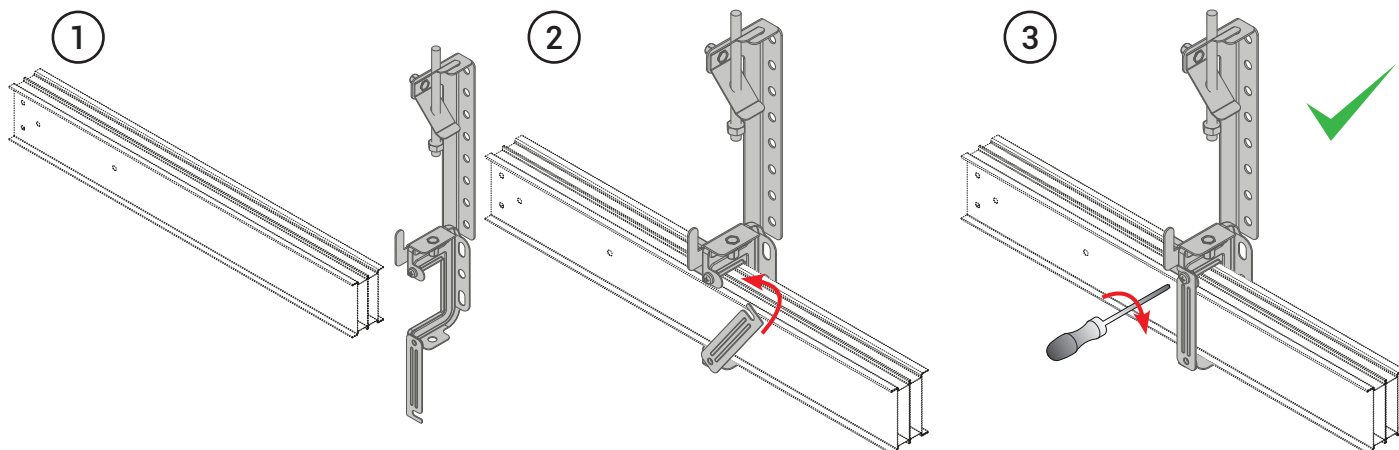
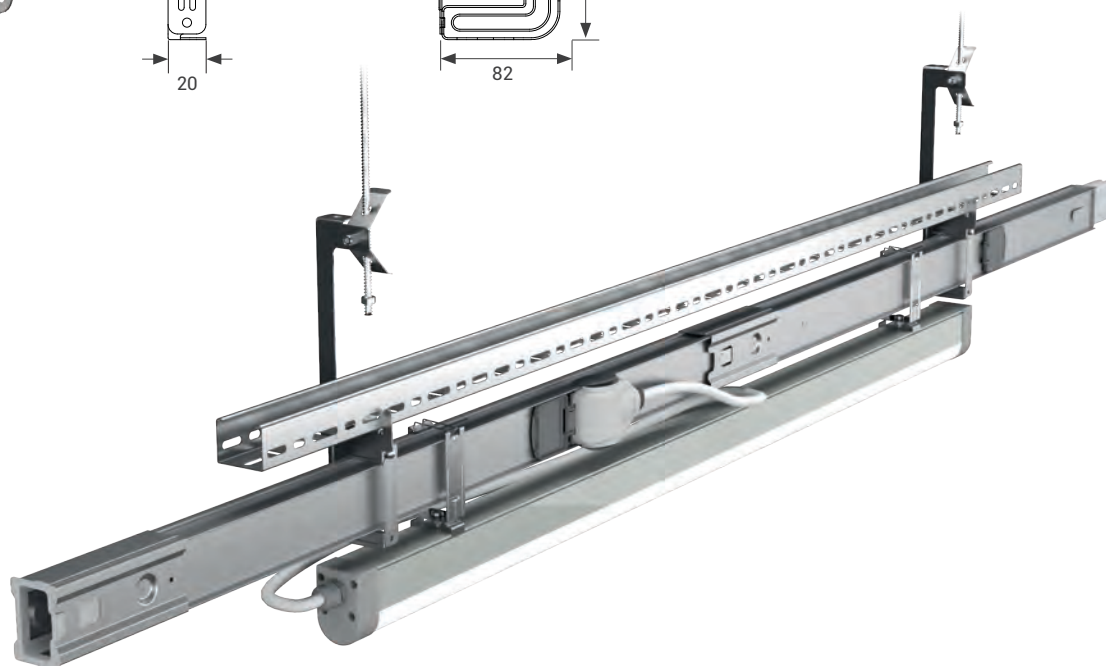
# E-LINE KY-D

## Busbar and Fitting Brackets

### Multifunctional Hanger (KY-D)



Description	Order Code
Multifunctional Bracket (KY-D)- Unpainted	3241416
Multifunctional Bracket (KY-D)- Painted	3241429



- 1- KY-D Busbar system is manufactured in accordance with the international IEC 61439-6 standard. It has type test certificates from international test laboratories for each Current Rating.
- 2- Nominal isolation voltage of the busbar duct system is 690 V.
- 3- Busbar system tin-plated electrolytic copper with 25A-40A current values.
- 4- KY-D Busbar system conductors are insulated completely with "halogen free" and flame retardant plastic material. The plug-in opening points are stripped to create a connection area.
- 5- KY-D Busbar system is manufactured in standard lengths of 3m and 1m, with 3 and 1 plug-in openings in total on one side. The number of openings can be increased on special requests. In addition, there is a sealed and hinged, halogen-free and flame-proof plastic protection cover that provides IP55 protection on the plug-in openings.
- 1) 2+2 CONDUCTOR CONSTRUCTION; Left (L) : L/N/PE, Right (R) : L<sub>EMG</sub>/N<sub>EMG</sub>/PE (Addressing Type-P1-P1)  
2) 4+4 CONDUCTOR CONSTRUCTION; Left (L) : L1/L2/L3/N/PE, Right (R) : L1/L2/L3/N/PE (Addressing Type-P1-P1)  
3) 5+5 CONDUCTOR CONSTRUCTION; Left (L) : L1/L2/L3/N/CPE, Right (R) : L1/L2/L3/N/CPE (Addressing Type P2-P2)
- 6- There are special insulator fixing pieces suitable for the housing structure to accommodate the conductors at the plug-in current points.
- 7- KY-D Busbar system joints are in a plug-in structure. The joint contacts of conductors are silver-plated. With the double-sided spring (jawed contact) pressure method, the joint is prevented from loosening. The joint structure with terminals that will allow loosening is not used. In addition, the plug-in type joint cover, which prevents the joints from stretching and deflection, can be easily installed without screws and without the need for any hand tools.
- 8- KY-D Busbar trunking is in IP 55 protection degree and IK07 mechanical impact withstand class.
- 9- The housing of KY-D Busbar system is 0.50 mm thick as standard and is manufactured from galvanized sheet metal. On request, it can also be manufactured with electrostatic oven painted in RAL 7038 or other colours on galvanized sheet.
- 10- The contacts of tap-off plugs and boxes are silver-plated, they have a structure to press the conductors inside the busbar from both sides, and the steel spring protected jawed contact structure that prevents loosening.
- 11- The KY-D Busbar system has standard fixing apparatus and fixing elements suitable for its external structure and is produced by the manufacturer. Fixing elements can also carry 50 mm cable duct at the same time by using additional small pieces.  
The cross-sections of Phase and Neutral conductors are manufactured as follows;  
• 2.5 mm<sup>2</sup> for 25A;  
• 4.9 mm<sup>2</sup> for 40A;  
• PE (Housing) is used as the housing protection conductor and the equivalent copper cross-sectional area is 7.60 mm<sup>2</sup>.  
• CPE (Clean Earth-Clean Protection Conductor) is a separate and independent conductor and its cross-sectional area is same with the Ones of phase conductors.
- 12- KY-D-DALI model is used in lighting automation circuits with "DALI" communication protocol, in "DALI" ballast control applications at the same time with luminaire supply.
- 13- In KY-D-DALI model, the number of conductors, phase and functional configuration alternatives are as follows;
- 5) 4+4 CONDUCTOR CONSTRUCTION; Left (L) : D1/D2/L<sub>EMG</sub>/N<sub>EMG</sub>/PE, Right (R) : L1/L2/L3/N/PE (Addressing Type-P3-P1)  
6) 4+5 CONDUCTOR CONSTRUCTION; Left (L) : D1/D2/L<sub>EMG</sub>/N<sub>EMG</sub>/PE, Right (R) : L1/L2/L3/N/CPE (Addressing Type-P3-P2)  
7) 4+2 CONDUCTOR CONSTRUCTION; Left (L) : D1/D2/L/N/PE, Right (R) : L<sub>EMG</sub>/N<sub>EMG</sub>/PE (Addressing Type-P3-P1)  
8) 6+2 CONDUCTOR CONSTRUCTION; Left (L) : D1/D2/L1/L2/L3/N/PE, Right (R) : L<sub>EMG</sub>/N<sub>EMG</sub>/PE (Addressing Type-P4-P1)
- 14- The lower housing-ear, upper housing and cable gland colours and physical addressing structures (housing tabs) of the tap-off plugs and boxes to be installed in KY-D busbar and DALI and Emergency Kit (Emergency) plugs are manufactured as "different" to prevent misuse. It is possible to distinguish easily which phase the power is supplied from, the control function, plug and box types from these colours on them.
- 15- KY-D busbar can be hung with 1.5m, 2m and 3m hanger intervals, not exceeding the maximum permissible payload weights that can be applied from single or multiple points, including joints. Busbar, transport and lateral vibration and seismic hangers are manufactured originally. All of these original hangers must be used, taking into account the region, area, busbar structure and lengths used.

### CE DECLARATION OF CONFORMITY

**Product Group** E-Line KY-D Busbar Systems  
**Manufacturer** EAE Elektrik Asansor End. İnşaat San. ve Tic. A.S.  
Akcaburgaz Mahallesi, 3114. Sokak, No:10, 34522  
Esenyurt - İstanbul

The objects of the declaration described below is in conformity with the relevant Union harmonisation legislation. This declaration of conformity is made under the responsibility of the manufacturer.

**Standard:**

**IEC 61439-6**

Low-voltage switchgear and controlgear assemblies - Part 6: Busbar trunking systems

**CE - Directive:**

2014/35/EU "The Low Voltage Directive"  
2014/30/EU "Electromagnetic Compatibility (EMC) Directive"  
2011/65/EU "Restriction of the use of certain hazardous substances (RoHS)"

**Technical Document Preparation Official::**

EAE Elektrik Asansor End. İnşaat San. ve Tic. A.S.  
Akcaburgaz Mahallesi, 3114. Sokak, No:10 34522 Esenyurt-İstanbul

Mustafa AKÇELİK

**Date**

10.05.2025

**Document Authorized Signatory**

Elif Gamze KAYA OK  
Deputy General Manager

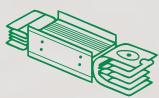


# SUSTAINABLE FUTURE

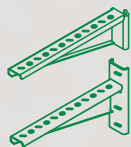
## Sustainability Management at EAE Elektrik



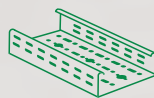
As part of our goal to support sustainable development and green transformation, measuring, evaluating, and managing all economic, environmental, and social impacts resulting from our sustainability practices is a key governance priority for EAE Elektrik. We act with great care in analyzing, monitoring, and managing the economic, environmental, and social impacts and risks that arise throughout our value chain in both our national and global operations.



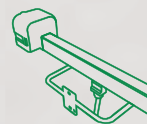
Busbar Systems



Support Systems



Cable Tray Systems



Trolley Busbar Systems



Fit-Out Solutions

*"We are working together with all our stakeholders to develop the electrical technologies that will build the future."*

You can visit our sustainability website at [sustainability.eaeelectric.com](https://sustainability.eaeelectric.com)



#FutureTogether

**EAE Elektrik**  
**Head Office**

Akcaburgaz Mahallesi,  
3114. Sokak, No: 10 34522  
Esenyurt - Istanbul - Turkiye  
Tel: +90 (212) 866 20 00  
Fax: +90 (212) 886 24 20

**EAE DL 4 Factory**  
**Busbar 2**

Organize Sanayi Bolgesi Mahallesi,  
6. Cadde, No: 14/10, 41455  
Dilovasi - Kocaeli - Turkiye  
Tel: +90 (262) 999 05 55  
Fax: +90 (262) 502 01 45



Please visit our website for the updated  
version of our catalogues.  
[www.eaelectric.com](http://www.eaelectric.com)



Catalogue 52 - En. / Rev. 01 / 00.Pcs. / 08.06.2026  
D.S.

EAE has full right to make any revisions or changes on this catalogue without any prior notice.