



UK

# E-LINE UK

CABLE TRAY SYSTEMS



# E-LINE UK

Please visit our website for the updated version of our catalogues.  
[www.eaeelectric.com](http://www.eaeelectric.com)

# CONTENTS

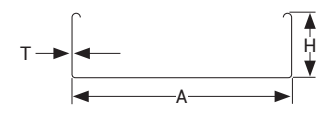
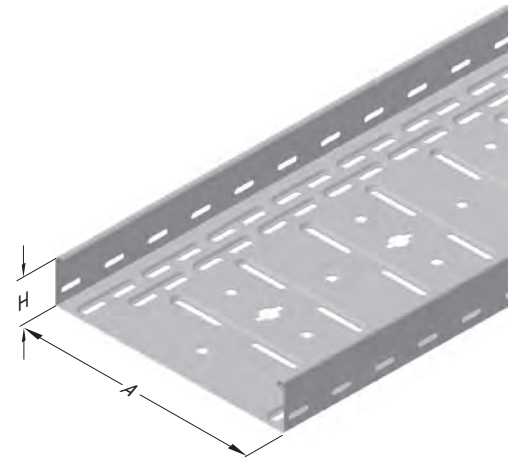
## ▶▶ E-LINE UK

Cable Tray Systems .....	2-6
Deflection Values .....	7-8
UK Cover Clamp .....	9
UKE Omega Clamp .....	10
UKE Blind End .....	11
UK Joint Fitting.....	12
UK Expansion Set, Separator, Fish Plate.....	13
UKE Bends .....	14-22
UKE Level Adaptation Bend .....	23
UKE Adjustable Vertical Inside Bend.....	24
UKE YT Add-On Tee .....	25
UKE Reduction Fitting.....	26-27
UKE Level Adaptation Joint Set, UK SDE Bend Protection Plate.....	28
UKFG Bends .....	29-35
UKFG Reduction Fitting .....	36-38
UKFG Joint Fitting .....	39
UKK Bend Covers .....	40-42
UK Level Adaptation Joint Set Covers, UKE Wall Mounted Bend Cover.....	43
UKE Centre Descent Bend Cover .....	44

## ►► Cable Tray ► UKFE Cable Tray

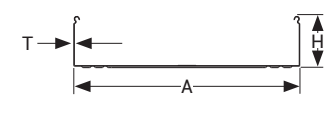
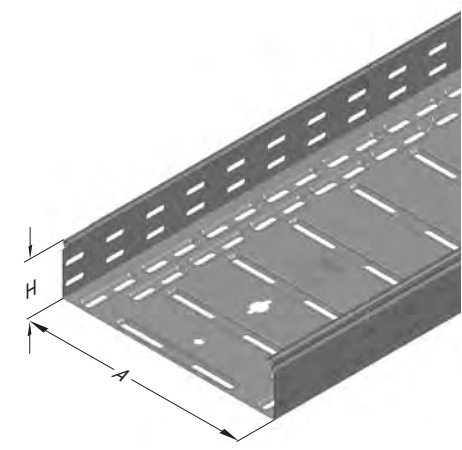
Pre-Galvanized (TS EN 10346 - TS EN 10143)

Description	H (mm)	A (mm)	T=0,7		T=0,9	
			Weight (kg/m)	PG Code	Weight (kg/m)	PG Code
40 UKFE 100	40	100	1,01	3108992	-	-
40 UKFE 200	40	200	1,488	3108993	-	-
40 UKFE 300	40	300	2,031	3108994	-	-
40 UKFE 400	40	400	-	-	3,253	3117226
40 UKFE 500	40	500	-	-	3,918	3117227
40 UKFE 600	40	600	-	-	4,594	3117228
50 UKFE 100	50	100	1,118	3299956	-	-
50 UKFE 200	50	200	1,595	3299957	-	-
50 UKFE 300	50	300	2,113	3299958	-	-
50 UKFE 400	50	400	-	-	3,379	3299959
50 UKFE 500	50	500	-	-	4,042	3299960
50 UKFE 600	50	600	-	-	4,716	3299961
60 UKFE 100	60	100	1,287	3109001	-	-
60 UKFE 200	60	200	1,708	3109002	-	-
60 UKFE 300	60	300	2,227	3109003	-	-
60 UKFE 400	60	400	-	-	3,535	3109004
60 UKFE 500	60	500	-	-	4,201	3109005
60 UKFE 600	60	600	-	-	4,876	3109006



• H40, H50, H60 UKFE cable trays are compatible with UKE and UKFG modules.

Description	H (mm)	A (mm)	T=0,7		T=0,9	
			Weight (kg/m)	PG Code	Weight (kg/m)	PG Code
75 UKFE 100	75	100	1,360	3299962	-	-
75 UKFE 200	75	200	1,834	3299963	-	-
75 UKFE 300	75	300	2,355	3299964	-	-
75 UKFE 400	75	400	-	-	3,691	3299965
75 UKFE 500	75	500	-	-	4,354	3299966
75 UKFE 600	75	600	-	-	5,027	3299967
100 UKFE 100	100	100	1,601	3299968	-	-
100 UKFE 200	100	200	2,075	3299969	-	-
100 UKFE 300	100	300	2,596	3299970	-	-
100 UKFE 400	100	400	-	-	4,001	3299971
100 UKFE 500	100	500	-	-	4,664	3299972
100 UKFE 600	100	600	-	-	5,338	3299973



- Standard Length 3000 mm.
- H75, H100 UKFE cable trays are compatible with UKFG modules.
- The L-EK element (see Page 4)

- Please indicate order code in your orders.
- Please contact us for special dimensions.
- Material weights may vary by ± 10%

- All dimensions are given as in mm
- PG= Pre-Galvanized
- HDG= Hot Dip Galvanized

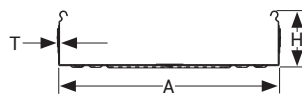
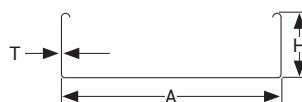
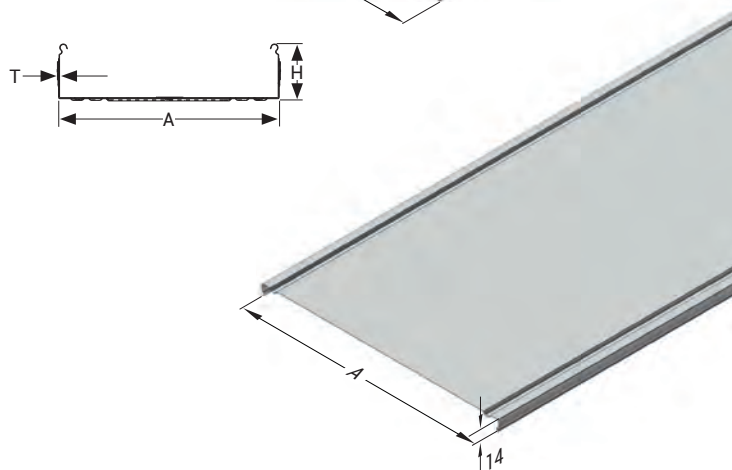
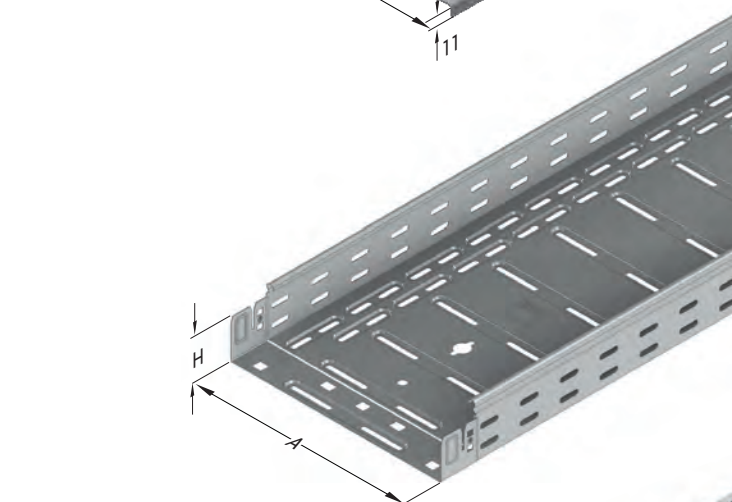
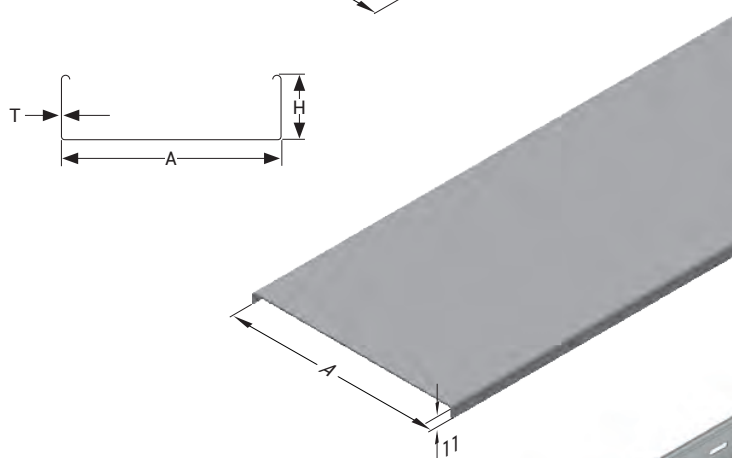
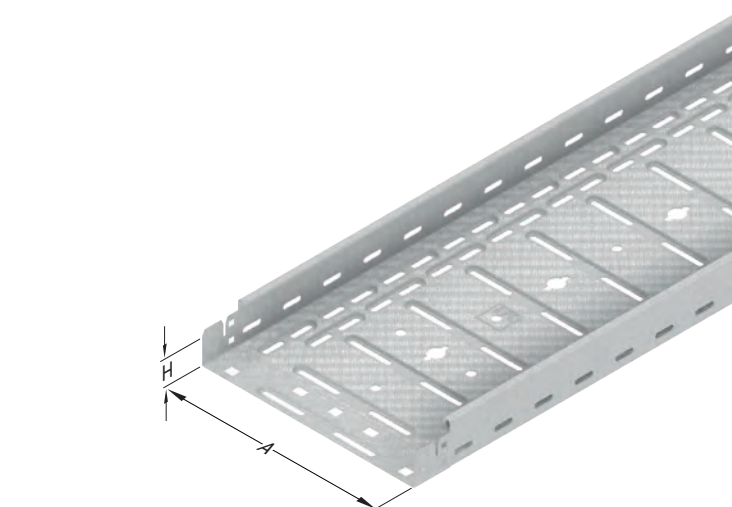
Description	H (mm)	A (mm)	T=0,7		T=0,9	
			Weight (kg/m)	PG Code	Weight (kg/m)	PG Code
040 UKFG 100	40	100	1,024	3047898	-	-
040 UKFG 200	40	200	1,511	3047899	-	-
040 UKFG 300	40	300	2,063	3047900	-	-
040 UKFG 400	40	400	-	-	-	-
040 UKFG 500	40	500	-	-	-	-
040 UKFG 600	40	600	-	-	-	-
050 UKFG 100	50	100	1,150	3049003	-	-
050 UKFG 200	50	200	1,623	3049004	-	-
050 UKFG 300	50	300	2,152	3049005	-	-
050 UKFG 400	50	400	-	-	3,449	3049006
050 UKFG 500	50	500	-	-	4,126	3049007
050 UKFG 600	50	600	-	-	4,813	3049008
060 UKFG 100	60	100	1,305	3047901	-	-
060 UKFG 200	60	200	1,735	3047902	-	-
060 UKFG 300	60	300	2,263	3047903	-	-
060 UKFG 400	60	400	-	-	3,593	3047904
060 UKFG 500	60	500	-	-	4,270	3047905
060 UKFG 600	60	600	-	-	4,957	3047906

Description	A (mm)	T (mm)	Weight (kg/m)	PG Code
UKFG 100 TRAY COVER	105	0,7	0,672	3103022
UKFG 200 TRAY COVER	205	0,7	1,220	3240964
UKFG 300 TRAY COVER	305	0,7	1,772	3103024
UKFG 400 TRAY COVER	405	0,9	2,989	3103025
UKFG 500 TRAY COVER	505	0,9	3,699	3103026
UKFG 600 TRAY COVER	605	0,9	4,409	3103027

Description	H (mm)	A (mm)	T=0,7		T=0,9	
			Weight (kg/m)	PG Code	Weight (kg/m)	PG Code
075 UKFG 100	75	100	1,370	3254384	-	-
075 UKFG 200	75	200	1,850	3254385	-	-
075 UKFG 300	75	300	2,370	3254386	-	-
075 UKFG 400	75	400	-	-	3,710	3254387
075 UKFG 500	75	500	-	-	4,370	3254388
075 UKFG 600	75	600	-	-	5,040	3254389
100 UKFG 100	100	100	1,610	3254390	-	-
100 UKFG 200	100	200	2,090	3254391	-	-
100 UKFG 300	100	300	2,620	3254392	-	-
100 UKFG 400	100	400	-	-	4,020	3254393
100 UKFG 500	100	500	-	-	4,680	3254394
100 UKFG 600	100	600	-	-	5,350	3254395

Description	A (mm)	T (mm)	Weight (kg/m)	PG Code
UKFG 100 SNAP-ON COVER	100	0,7	0,730	2117266
UKFG 200 SNAP-ON COVER	200	0,7	1,260	2117267
UKFG 300 SNAP-ON COVER	300	0,7	1,840	2117268
UKFG 400 SNAP-ON COVER	400	0,9	3,050	2117269
UKFG 500 SNAP-ON COVER	500	0,9	3,760	2117270
UKFG 600 SNAP-ON COVER	600	0,9	4,470	2117271

- Please indicate order code in your orders.
- Please contact us for special dimensions.
- Material weights may vary by ± 10%



■ All dimensions are given as in mm

■ PG= Pre-Galvanized  
■ HDG= Hot Dip Galvanized

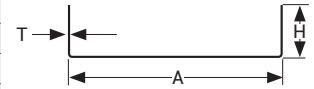
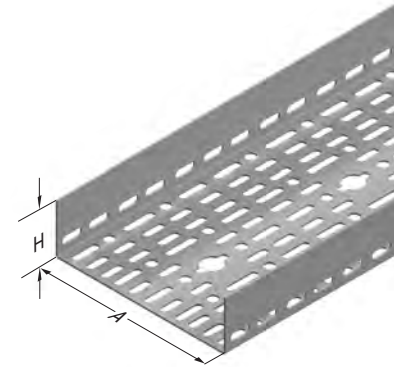
UK

## ►► Cable Tray

### ► UKN-E Cable Tray

Pre-Galvanized (TS EN 10346 - TS EN 10143)

Description	H (mm)	A (mm)	T=0,8		T=1		T=1,2		T=1,5		T=2	
			Weight (kg/m)	PG Code	Weight (kg/m)	PG Code	Weight (kg/m)	PG Code	Weight (kg/m)	PG Code	Weight (kg/m)	PG Code
040 UKN-E 050	40	50	0,666	3250186	0,833	3299870	0,999	3299879	1,249	3299894	1,651	3299914
040 UKN-E 100	40	100	0,860	3250187	1,075	3299871	1,291	3299880	1,613	3299895	2,135	3299915
040 UKN-E 150	40	150	1,110	3305362	1,388	3299872	1,665	3299881	2,082	3299896	2,761	3299916
040 UKN-E 200	40	200	1,291	3305363	1,614	3250188	1,937	3299882	2,422	3299897	3,213	3299917
040 UKN-E 250	40	250	-	-	-	-	2,312	3299883	2,89	3299898	3,838	3299918
040 UKN-E 300	40	300	-	-	-	-	2,584	3250189	3,23	3299899	4,291	3299919
040 UKN-E 400	40	400	-	-	-	-	-	-	4,039	3250190	5,369	3299920
040 UKN-E 500	40	500	-	-	-	-	-	-	4,847	3250191	6,447	3299921
040 UKN-E 600	40	600	-	-	-	-	-	-	5,656	3250192	7,525	3299922
050 UKN-E 050	50	50	0,798	3305364	0,998	3299873	1,116	3299884	1,473	3299900	1,964	3299923
050 UKN-E 100	50	100	1,005	3305365	1,256	3299874	1,498	3299885	1,86	3299901	2,465	3299924
050 UKN-E 150	50	150	1,248	3305366	1,56	3299875	1,873	3299886	2,329	3299902	3,09	3299925
050 UKN-E 200	50	200	1,436	3305367	1,795	3299876	2,145	3299887	2,669	3299903	3,543	3299926
050 UKN-E 250	50	250	-	-	-	-	2,519	3299888	3,137	3299904	4,168	3299927
050 UKN-E 300	50	300	-	-	-	-	2,791	3299889	3,477	3299905	4,621	3299928
050 UKN-E 400	50	400	-	-	-	-	-	-	4,286	3299906	5,699	3299929
050 UKN-E 500	50	500	-	-	-	-	-	-	5,094	3299907	6,777	3299930
050 UKN-E 600	50	600	-	-	-	-	-	-	5,903	3299908	7,855	3299931
060 UKN-E 050	60	50	0,923	3250193	1,154	3359017	1,385	3359018	1,708	3359019	2,293	3359020
060 UKN-E 100	60	100	1,130	3250194	1,413	3299877	1,686	3299890	2,096	3299909	2,779	3299932
060 UKN-E 150	60	150	1,380	3305368	1,725	3299878	2,061	3299891	2,564	3299910	3,404	3299933
060 UKN-E 200	60	200	1,562	3305369	1,952	3250195	2,333	3299892	2,904	3299911	3,857	3299934
060 UKN-E 250	60	250	-	-	-	-	2,708	3299893	3,373	3299912	4,482	3299935
060 UKN-E 300	60	300	-	-	-	-	2,980	3250196	3,713	3299913	4,935	3299936
060 UKN-E 400	60	400	-	-	-	-	-	-	4,521	3250197	6,013	3299937
060 UKN-E 500	60	500	-	-	-	-	-	-	5,33	3250198	7,091	3299938
060 UKN-E 600	60	600	-	-	-	-	-	-	6,138	3250199	8,169	3299939



### ► UKN-E Joint Fitting

Pre-Galvanized (TS EN 10346 - TS EN 10143)

Description	T (mm)	H (mm)	Weight (kg/pcs)	PG Code
UKN-E L JOINT FITTING	1,5	40-50-60	0,132	3114708
UKN-E L JOINT FITTING	2	40-50-60	0,173	3302083



■ Please contact your representative for inquiries regarding stainless steel alternatives.

■ Please indicate order code in your orders.

■ Please contact us for special dimensions.

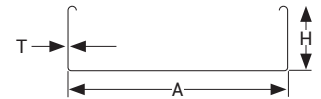
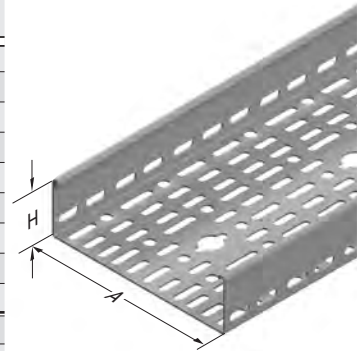
■ Material weights may vary by ± 10%

■ All dimensions are given as in mm

■ PG= Pre-Galvanized

■ HDG= Hot Dip Galvanized

Description	H (mm)	A (mm)	T=0,8		T=1		T=1,2		T=1,5		T=2	
			Weight (kg/m)	PG Code	Weight (kg/m)	PG Code	Weight (kg/m)	PG Code	Weight (kg/m)	PG Code	Weight (kg/m)	PG Code
040 UKE 050	40	50	0,773	3240897	0,966	3240901	1,163	3299940	1,492	3240770	1,946	3240812
040 UKE 100	40	100	0,974	3240898	1,271	3240902	1,497	3240907	1,856	3240771	2,431	3240813
040 UKE 150	40	150	1,217	3240899	1,583	3240903	1,872	3240908	2,325	3240772	3,056	3240814
040 UKE 200	40	200	1,399	3240900	1,810	3240904	2,144	3240909	2,665	3240773	3,509	3240815
040 UKE 250	40	250	-	-	2,122	3240905	2,519	3240910	3,133	3240774	4,134	3240816
040 UKE 300	40	300	-	-	2,349	3240906	2,791	3240911	3,473	3240775	4,587	3240817
040 UKE 400	40	400	-	-	-	-	-	-	4,282	3240776	5,665	3240818
040 UKE 500	40	500	-	-	-	-	-	-	5,090	3240777	6,743	3240819
040 UKE 600	40	600	-	-	-	-	-	-	5,899	3240778	7,821	3240820
050 UKE 050	50	50	0,898	3240912	1,123	3240916	1,351	3299941	1,728	3240779	2,260	3240821
050 UKE 100	50	100	1,093	3240913	1,428	3240917	1,686	3240922	2,092	3240780	2,745	3240822
050 UKE 150	50	150	1,343	3240914	1,740	3240918	2,060	3240923	2,560	3240781	3,370	3240823
050 UKE 200	50	200	1,523	3240915	1,967	3240919	2,332	3240924	2,900	3240782	3,823	3240824
050 UKE 250	50	250	-	-	2,279	3240920	2,707	3240925	3,369	3240783	4,448	3240825
050 UKE 300	50	300	-	-	2,506	3240921	2,979	3240926	3,709	3240784	4,901	3240826
050 UKE 400	50	400	-	-	-	-	-	-	4,517	3240785	5,979	3240827
050 UKE 500	50	500	-	-	-	-	-	-	5,326	3240786	7,057	3240828
050 UKE 600	50	600	-	-	-	-	-	-	6,134	3240787	8,135	3240829
060 UKE 050	60	50	1,026	3006323	1,283	3359021	1,540	3359022	1,949	3359023	2,614	3359024
060 UKE 100	60	100	1,218	3240927	1,585	3240930	1,874	3240935	2,327	3240788	3,059	3240830
060 UKE 150	60	150	1,469	3240928	1,897	3240931	2,249	3240936	2,796	3240789	3,684	3240831
060 UKE 200	60	200	1,649	3240929	2,124	3240932	2,521	3240937	3,136	3240790	4,137	3240832
060 UKE 250	60	250	-	-	2,436	3240933	2,896	3240938	3,604	3240791	4,762	3240833
060 UKE 300	60	300	-	-	2,663	3240934	3,168	3240939	3,944	3240792	5,215	3240834
060 UKE 400	60	400	-	-	-	-	-	-	4,753	3240793	6,293	3240835
060 UKE 500	60	500	-	-	-	-	-	-	5,561	3240794	7,371	3240836
060 UKE 600	60	600	-	-	-	-	-	-	6,370	3240795	8,449	3240837
075 UKE 100	75	100	-	-	1,725	3323763	2,061	3323753	2,560	3240796	3,370	3240838
075 UKE 150	75	150	-	-	2,038	3323764	2,436	3323754	3,149	3240797	3,994	3240839
075 UKE 200	75	200	-	-	2,264	3323765	2,708	3323755	3,369	3240798	4,448	3240840
075 UKE 250	75	250	-	-	2,577	3323766	3,083	3323756	3,957	3240799	5,072	3240841
075 UKE 300	75	300	-	-	2,803	3323767	3,355	3323757	4,177	3240800	5,526	3240842
075 UKE 400	75	400	-	-	-	-	-	-	4,986	3240801	6,604	3240843
075 UKE 500	75	500	-	-	-	-	-	-	5,794	3240802	7,682	3240844
075 UKE 600	75	600	-	-	-	-	-	-	6,603	3240803	8,760	3240845
100 UKE 100	100	100	-	-	2,022	3323768	2,426	3323758	3,029	3240804	3,994	3240846
100 UKE 150	100	150	-	-	2,350	3323769	2,820	3323759	3,738	3240805	4,405	3240847
100 UKE 200	100	200	-	-	2,577	3323770	3,092	3323760	3,837	3240806	5,072	3240848
100 UKE 250	100	250	-	-	2,889	3323771	3,457	3323761	4,546	3240807	5,697	3240849
100 UKE 300	100	300	-	-	3,116	3323772	3,729	3323762	4,646	3240808	6,150	3240850
100 UKE 400	100	400	-	-	-	-	-	-	5,454	3240809	7,228	3240851
100 UKE 500	100	500	-	-	-	-	-	-	6,263	3240810	8,306	3240852
100 UKE 600	100	600	-	-	-	-	-	-	7,071	3240811	9,384	3240853



**Required bolt quantities for cable tray module assembly:**

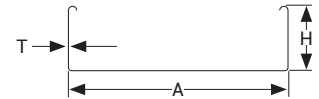
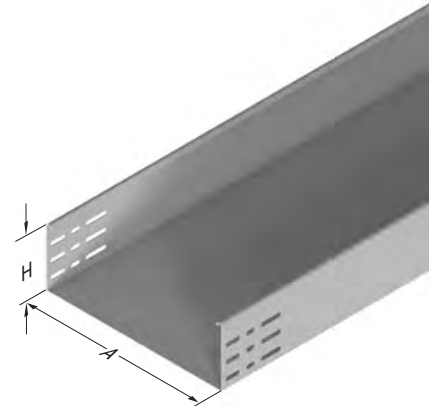
- For H40 cable tray module assembly: 4 sets of M6x12 bolts
- For H50 cable tray module assembly: 4 sets of M6x12 bolts
- For H60 cable tray module assembly: 4 sets of M6x12 bolts
- For H75 cable tray module assembly: 8 sets of M6x12 bolts
- For H100 cable tray module assembly: 8 sets of M6x12 bolts

- Please contact your representative for inquiries regarding stainless steel alternatives.
- Please indicate order code in your orders.
- Please contact us for special dimensions.
- Material weights may vary by ± 10%

■ All dimensions are given as in mm

- PG= Pre-Galvanized
- HDG= Hot Dip Galvanized

Description	H (mm)	A (mm)	T=0,8		T=1		T=1,2		T=1,5		T=2	
			Weight (kg/m)	PG Code	Weight (kg/m)	PG Code	Weight (kg/m)	PG Code	Weight (kg/m)	PG Code	Weight (kg/m)	PG Code
040 UKD 050	40	50	0,872	3005347	1,084	3008258	1.301	3302913	1,648	3298801	2,198	3298835
040 UKD 100	40	100	1,187	3005346	1,476	3008257	1,818	3298786	2,260	3298802	2,999	3298836
040 UKD 150	40	150	1,500	3048976	1,869	3008256	2,289	3298787	2,849	3298803	3,784	3298837
040 UKD 200	40	200	1,814	3048977	2,253	3086565	2,760	3008255	3,438	3298804	4,569	3298838
040 UKD 250	40	250	-	-	2,701	3298778	3,231	3008254	4,027	3298805	5,354	3298839
040 UKD 300	40	300	-	-	3,046	3048978	3,702	3086566	4,568	3008253	6,139	3298840
040 UKD 400	40	400	-	-	-	-	-	-	5,793	3008252	7,709	3086567
040 UKD 500	40	500	-	-	-	-	-	-	6,970	3008251	9,279	3086568
040 UKD 600	40	600	-	-	-	-	-	-	8,148	3001752	10,849	3086569
050 UKD 050	50	50	0,997	3298771	1,241	3298779	1.489	3302915	1,884	3298806	2,528	3298841
050 UKD 100	50	100	1,450	3298772	1,680	3298780	2,007	3298791	2,496	3298807	3,313	3298842
050 UKD 150	50	150	1,796	3298773	2,073	3298781	2,478	3298792	3,085	3298808	4,098	3298843
050 UKD 200	50	200	2,142	3298774	2,465	3298782	2,949	3298793	3,673	3298809	4,883	3298844
050 UKD 250	50	250	-	-	2,858	3298783	3,420	3298794	4,262	3298810	5,668	3298845
050 UKD 300	50	300	-	-	3,250	3298784	3,891	3298795	4,851	3298811	6,453	3298846
050 UKD 400	50	400	-	-	-	-	-	-	6,028	3298812	8,023	3298847
050 UKD 500	50	500	-	-	-	-	-	-	7,206	3298813	9,593	3298848
050 UKD 600	50	600	-	-	-	-	-	-	8,383	3298814	11,163	3298849
060 UKD 050	60	50	1,118	3005335	1,397	3008173	1,677	3359025	2,120	3359026	2,842	3359027
060 UKD 100	60	100	1,589	3005334	1,774	3008172	2,195	3298796	2,731	3298815	3,627	3298850
060 UKD 150	60	150	1,934	3298776	2,183	3008171	2,666	3298797	3,320	3298816	4,412	3298851
060 UKD 200	60	200	2,279	3048979	2,575	3086570	3,137	3008250	3,909	3298817	5,197	3298852
060 UKD 250	60	250	-	-	3,015	3298785	3,608	3008249	4,498	3298818	5,982	3298853
060 UKD 300	60	300	-	-	3,344	3048980	4,079	3086571	5,086	3008248	6,767	3298854
060 UKD 400	60	400	-	-	-	-	-	-	6,264	3008247	8,337	3086572
060 UKD 500	60	500	-	-	-	-	-	-	7,441	3008246	9,907	3086573
060 UKD 600	60	600	-	-	-	-	-	-	8,619	3001753	11,477	3086574
075 UKD 100	75	100	-	-	2,057	3323803	2,459	3323793	3,062	3298819	4,067	3298855
075 UKD 150	75	150	-	-	2,450	3323804	2,930	3323794	3,650	3298820	4,852	3298856
075 UKD 200	75	200	-	-	2,842	3323805	3,401	3323795	4,239	3298821	5,637	3298857
075 UKD 250	75	250	-	-	3,235	3323806	3,872	3323796	4,828	3298822	6,422	3298858
075 UKD 300	75	300	-	-	3,627	3323807	4,343	3323797	5,417	3298823	7,207	3298859
075 UKD 400	75	400	-	-	-	-	-	-	6,594	3298824	8,777	3298860
075 UKD 500	75	500	-	-	-	-	-	-	7,772	3298825	10,347	3298861
075 UKD 600	75	600	-	-	-	-	-	-	8,949	3298826	11,917	3298862
100 UKD 100	100	100	-	-	2,434	3323808	2,912	3323798	3,627	3298827	4,821	3298863
100 UKD 150	100	150	-	-	2,827	3323809	3,383	3323799	4,216	3298828	5,606	3298864
100 UKD 200	100	200	-	-	3,219	3323810	3,854	3323800	4,805	3298829	6,391	3298865
100 UKD 250	100	250	-	-	3,612	3323811	4,325	3323801	5,394	3298830	7,176	3298866
100 UKD 300	100	300	-	-	4,004	3323812	4,796	3323802	5,982	3298831	7,961	3298867
100 UKD 400	100	400	-	-	-	-	-	-	7,160	3298832	9,531	3298868
100 UKD 500	100	500	-	-	-	-	-	-	8,337	3298833	11,101	3298869
100 UKD 600	100	600	-	-	-	-	-	-	9,515	3298834	12,671	3298870



■ Please contact your representative for inquiries regarding stainless steel alternatives.

■ Please indicate order code in your orders.

■ Please contact us for special dimensions.

■ Material weights may vary by ± 10%

■ All dimensions are given as in mm

■ PG= Pre-Galvanized

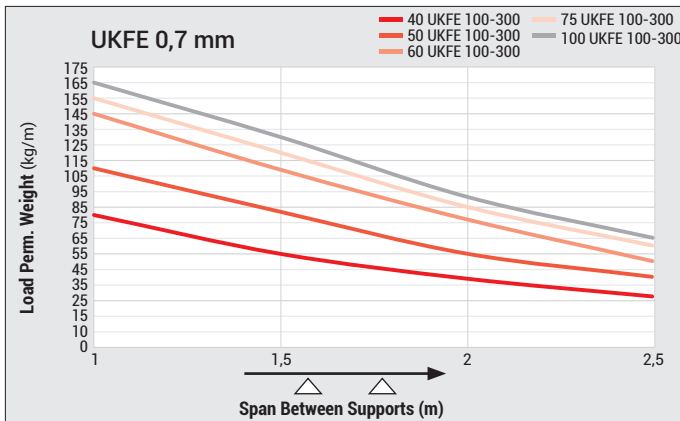
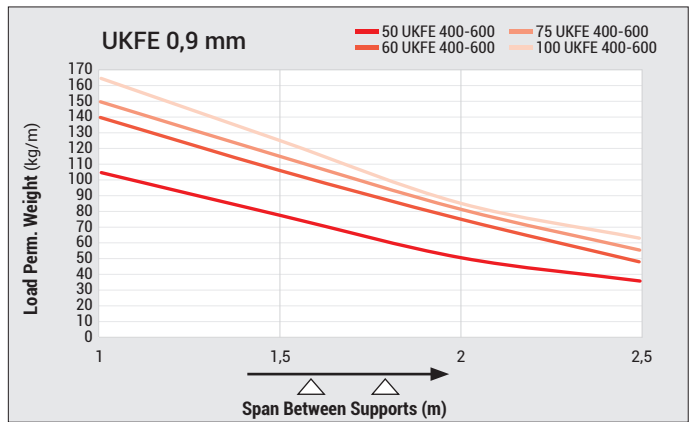
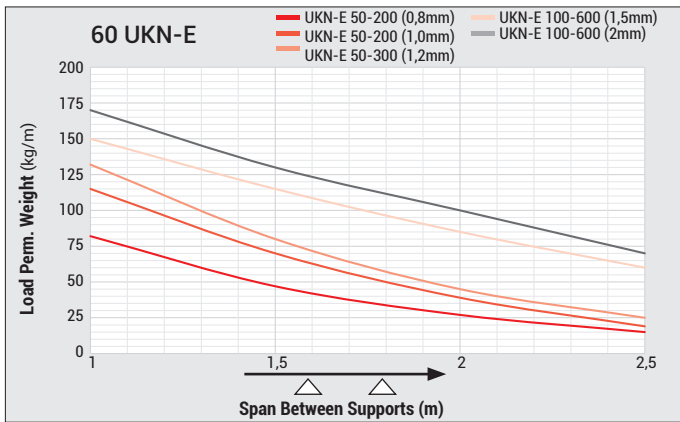
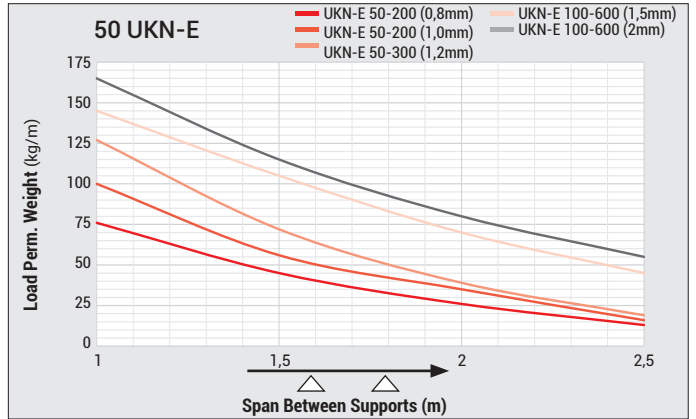
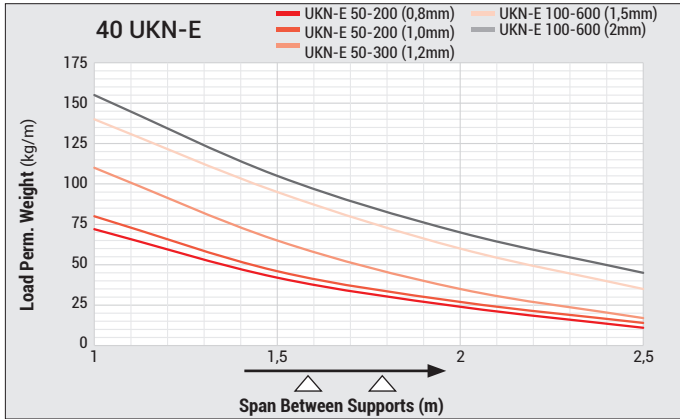
■ HDG= Hot Dip Galvanized



# E-LINEUK

## ▶▶ CABLE TRAY DEFLECTION VALUES

### ▶ UKN-E, UKFE CABLE TRAY DEFLECTION VALUES



- Please indicate order code in your orders.
- Please contact us for special dimensions.
- Material weights may vary by ± 10%

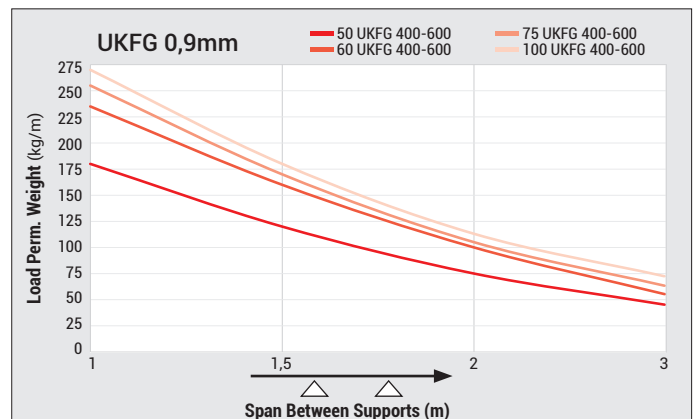
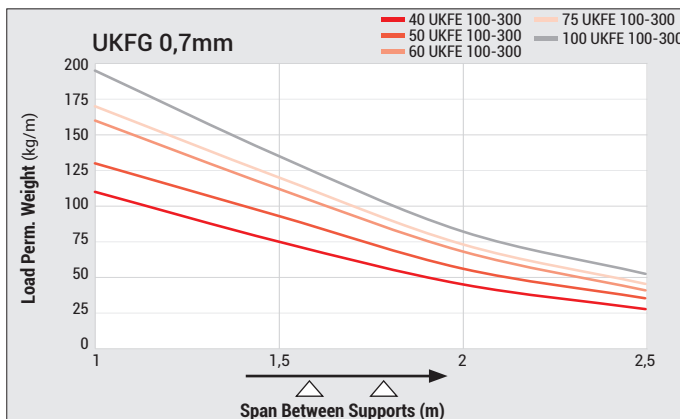
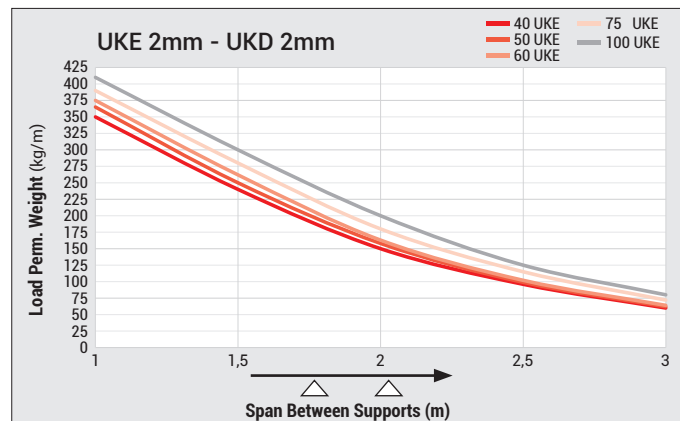
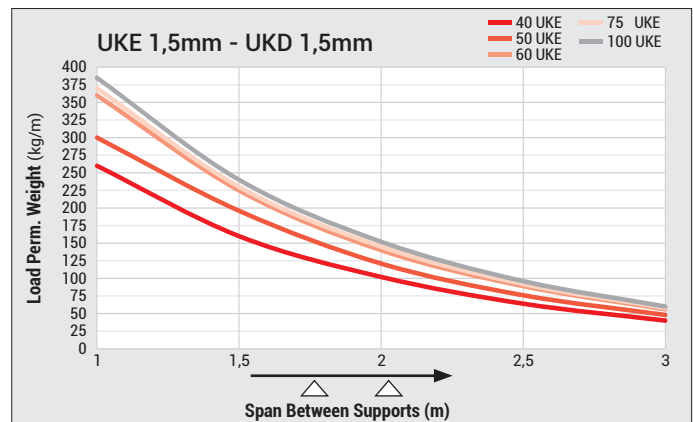
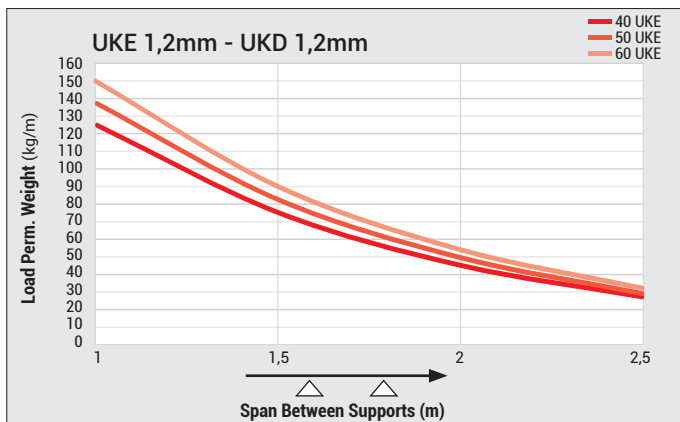
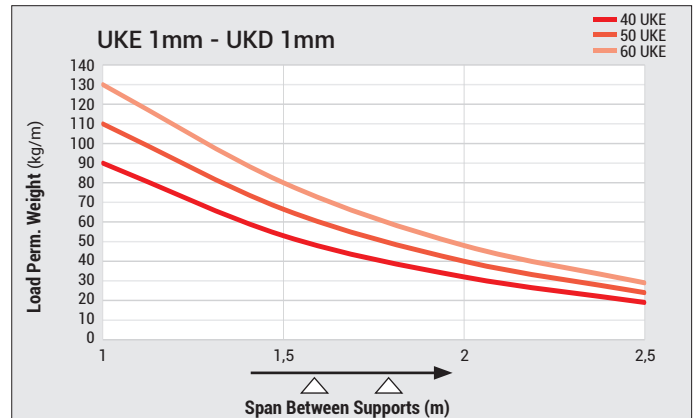
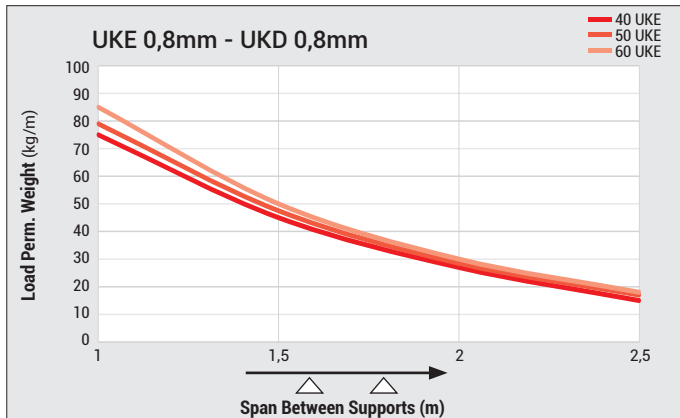
■ All dimensions are given as in mm

- PG= Pre-Galvanized
- HDG= Hot Dip Galvanized

UK

## ▶▶ CABLE TRAY DEFLECTION VALUES

### ▶ UKE, UKFG CABLE TRAY DEFLECTION VALUES

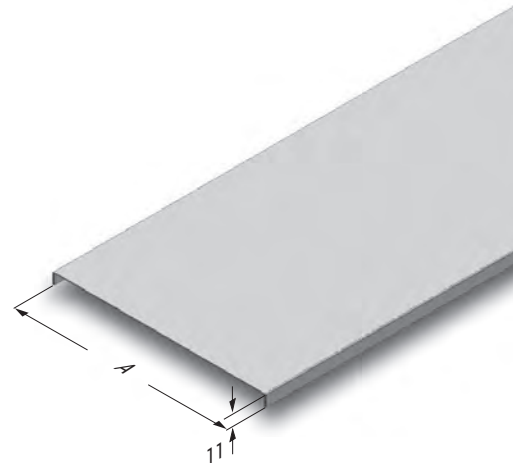


- Please indicate order code in your orders.
- Please contact us for special dimensions.
- Material weights may vary by ± 10%

■ All dimensions are given as in mm

- PG= Pre-Galvanized
- HDG= Hot Dip Galvanized

Description	A (mm)	T (mm)	Pack (m)	Weight (kg/m)	PG Code
UKK 50	54	0,8	2100	0,448	3008371
UKK 100	104	0,8	1224	0,757	3008370
UKK 150	154	1,0	1044	1,341	3008369
UKK 200	204	1,0	798	1,735	3008368
UKK 250	254	1,2	390	2,556	3008367
UKK 300	300	1,2	390	3,030	3008366
UKK 400	400	1,5	150	4,970	3008365
UKK 500	500	1,5	150	6,154	3008364
UKK 600	600	1,5	150	7,330	3006017



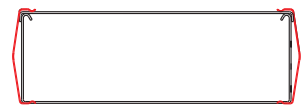
### ► Cable Tray Cover Clamps

Stainless Spring Steel (SS301)

Description	Weight (kg/pcs)	PG Code
040 COVER CLAMP (OUTWARD)	0,010	1004254
050 COVER CLAMP (OUTWARD)	0,013	1004184
060 COVER CLAMP (OUTWARD)	0,015	1004253
075 COVER CLAMP (OUTWARD)	0,019	1004183
100 COVER CLAMP (OUTWARD)	0,026	1004182



Spiked Structure



Cover Clamp (outward)  
(Alkaline Lacquer Coated)

### ► Cable Tray Cover Clamps

Description	Weight (kg/pcs)	PG Code
040 COVER CLAMP OUTWARD(ELC)	0,036	1057987
050 COVER CLAMP OUTWARD(ELC)	0,040	1057988
060 COVER CLAMP OUTWARD(ELC)	0,044	1057989
040 COVER CLAMP OUTWARD(DKP)	0,040	1057990
050 COVER CLAMP OUTWARD(DKP)	0,044	1057991
060 COVER CLAMP OUTWARD(DKP)	0,048	1057992



■ External cover clamps should not be used in outdoor applications.

■ Omega cover clamps must be used in outdoor applications. (See Page: 10)

### ► Cable Tray Joint Bolt & Nut Set

Description	Weight (kg/pcs)	PG Code
JOINT BOLT SET M6	0,009	1004314

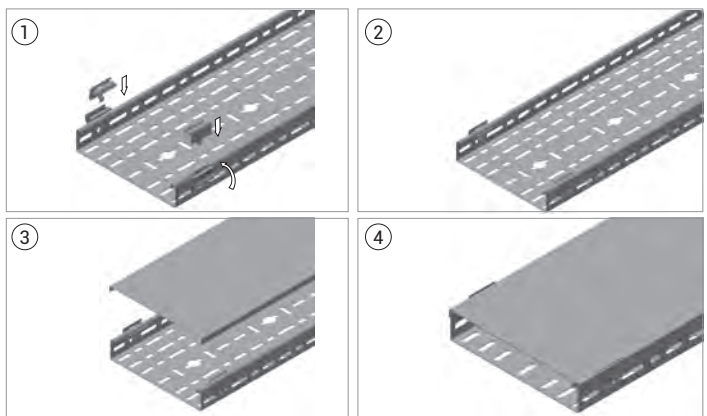


### ► UKE Quick Fit Cover Clamp

Pre-Galvanized (TS EN 10346 - TS EN 10143)

Description	Weight (kg/m.)	PG Code
40 UKE QUICK FIT COVER CLAMP	0,027	1025015
60 UKE QUICK FIT COVER CLAMP	0,034	1025041

■ Cable tray covers; It is not sufficient to secure the covers merely by installing them on vertical or vertically installed cable trays. Please also utilize self-tapping screws, steel cable ties, or cover hinges to withstand loads effectively.



■ Please contact your representative for inquiries regarding stainless steel alternatives.

■ Please indicate order code in your orders.

■ Please contact us for special dimensions.

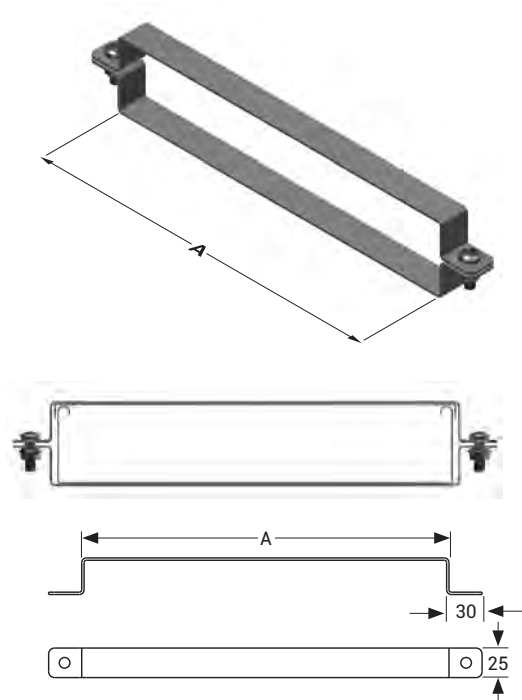
■ Material weights may vary by ± 10%

■ All dimensions are given as in mm

■ PG= Pre-Galvanized

■ HDG= Hot Dip Galvanized

Description	A (mm)	T=2	
		Weight (kg/set)	PG Code
040 UKE 050 OMEGA CLAMP	61	0,112	3137713
040 UKE 100 OMEGA CLAMP	111	0,152	3137714
040 UKE 150 OMEGA CLAMP	161	0,192	3137715
040 UKE 200 OMEGA CLAMP	211	0,230	3137716
040 UKE 250 OMEGA CLAMP	261	0,270	3137717
040 UKE 300 OMEGA CLAMP	311	0,310	3137718
040 UKE 400 OMEGA CLAMP	411	0,388	3137719
040 UKE 500 OMEGA CLAMP	511	0,466	3137720
040 UKE 600 OMEGA CLAMP	611	0,544	3137721
050 UKE 050 OMEGA CLAMP	61	0,120	3300998
050 UKE 100 OMEGA CLAMP	111	0,160	3300999
050 UKE 150 OMEGA CLAMP	161	0,200	3301000
050 UKE 200 OMEGA CLAMP	211	0,240	3301001
050 UKE 250 OMEGA CLAMP	261	0,278	3301002
050 UKE 300 OMEGA CLAMP	311	0,318	3301003
050 UKE 400 OMEGA CLAMP	411	0,396	3301004
050 UKE 500 OMEGA CLAMP	511	0,474	3301005
050 UKE 600 OMEGA CLAMP	611	0,552	3301006
060 UKE 050 OMEGA CLAMP	61	0,128	3359105
060 UKE 100 OMEGA CLAMP	111	0,168	3137722
060 UKE 150 OMEGA CLAMP	161	0,208	3137723
060 UKE 200 OMEGA CLAMP	211	0,246	3137724
060 UKE 250 OMEGA CLAMP	261	0,286	3137725
060 UKE 300 OMEGA CLAMP	311	0,324	3137726
060 UKE 400 OMEGA CLAMP	411	0,404	3137727
060 UKE 500 OMEGA CLAMP	511	0,482	3137728
060 UKE 600 OMEGA CLAMP	611	0,560	3137729
075 UKE 100 OMEGA CLAMP	111	0,180	3301007
075 UKE 150 OMEGA CLAMP	161	0,218	3301008
075 UKE 200 OMEGA CLAMP	211	0,258	3301009
075 UKE 250 OMEGA CLAMP	261	0,298	3301010
075 UKE 300 OMEGA CLAMP	311	0,338	3301011
075 UKE 400 OMEGA CLAMP	411	0,416	3301012
075 UKE 500 OMEGA CLAMP	511	0,454	3301013
075 UKE 600 OMEGA CLAMP	611	0,572	3301014
100 UKE 100 OMEGA CLAMP	111	0,200	3253322
100 UKE 150 OMEGA CLAMP	161	0,238	3253323
100 UKE 200 OMEGA CLAMP	211	0,278	3253324
100 UKE 250 OMEGA CLAMP	261	0,318	3253325
100 UKE 300 OMEGA CLAMP	311	0,356	3253326
100 UKE 400 OMEGA CLAMP	411	0,434	3253327
100 UKE 500 OMEGA CLAMP	511	0,514	3253328
100 UKE 600 OMEGA CLAMP	611	0,592	3253329



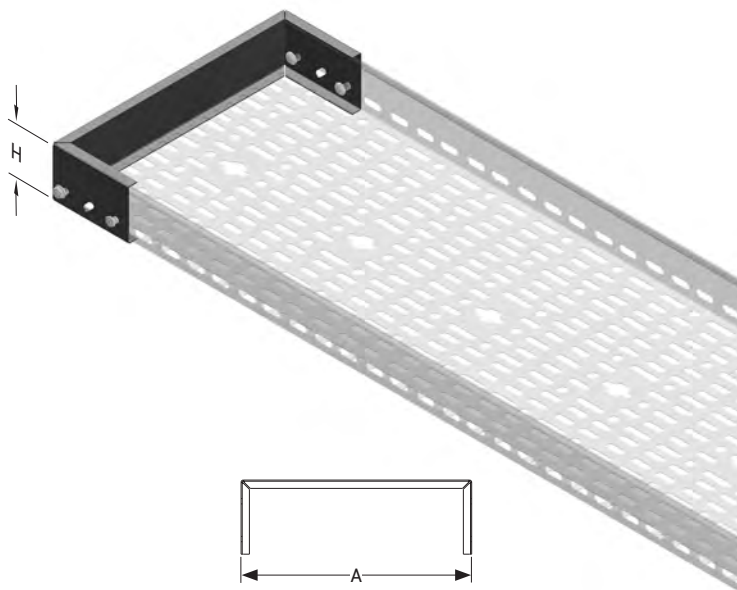
Note: Bolt set is included in the product delivered.

- Please contact your representative for inquiries regarding stainless steel alternatives.
- Please indicate order code in your orders.
- Please contact us for special dimensions.
- Material weights may vary by ± 10%

■ All dimensions are given as in mm

- PG= Pre-Galvanized
- HDG= Hot Dip Galvanized

Description	H (mm)	A (mm)	T=1,2	
			Weight (kg/pcs)	PG Code
040 UKE 050 BLIND END	40	50	0,144	3030373
040 UKE 100 BLIND END	40	100	0,174	3030374
040 UKE 150 BLIND END	40	150	0,204	3030375
040 UKE 200 BLIND END	40	200	0,234	3030376
040 UKE 250 BLIND END	40	250	0,264	3030377
040 UKE 300 BLIND END	40	300	0,294	3030378
040 UKE 400 BLIND END	40	400	0,355	3030379
040 UKE 500 BLIND END	40	500	0,415	3030380
040 UKE 600 BLIND END	40	600	0,475	3030381
050 UKE 050 BLIND END	50	50	0,168	3300963
050 UKE 100 BLIND END	50	100	0,203	3300964
050 UKE 150 BLIND END	50	150	0,237	3300965
050 UKE 200 BLIND END	50	200	0,272	3300966
050 UKE 250 BLIND END	50	250	0,307	3300967
050 UKE 300 BLIND END	50	300	0,342	3300968
050 UKE 400 BLIND END	50	400	0,412	3300969
050 UKE 500 BLIND END	50	500	0,481	3300970
050 UKE 600 BLIND END	50	600	0,551	3300971
060 UKE 050 BLIND END	60	50	0,192	3030382
060 UKE 100 BLIND END	60	100	0,231	3030383
060 UKE 150 BLIND END	60	150	0,271	3030384
060 UKE 200 BLIND END	60	200	0,310	3030385
060 UKE 250 BLIND END	60	250	0,350	3030386
060 UKE 300 BLIND END	60	300	0,390	3030387
060 UKE 400 BLIND END	60	400	0,469	3030388
060 UKE 500 BLIND END	60	500	0,548	3030389
060 UKE 600 BLIND END	60	600	0,627	3030390
075 UKE 050 BLIND END	75	50	0,220	3300972
075 UKE 100 BLIND END	75	100	0,266	3300973
075 UKE 150 BLIND END	75	150	0,313	3300974
075 UKE 200 BLIND END	75	200	0,359	3300975
075 UKE 250 BLIND END	75	250	0,405	3300976
075 UKE 300 BLIND END	75	300	0,451	3300977
075 UKE 400 BLIND END	75	400	0,544	3300978
075 UKE 500 BLIND END	75	500	0,635	3300979
075 UKE 600 BLIND END	75	600	0,728	3300980
100 UKE 050 BLIND END	100	50	0,275	3300981
100 UKE 100 BLIND END	100	100	0,333	3300982
100 UKE 150 BLIND END	100	150	0,391	3300983
100 UKE 200 BLIND END	100	200	0,449	3300984
100 UKE 250 BLIND END	100	250	0,507	3300985
100 UKE 300 BLIND END	100	300	0,565	3300986
100 UKE 400 BLIND END	100	400	0,680	3300987
100 UKE 500 BLIND END	100	500	0,797	3300988
100 UKE 600 BLIND END	100	600	0,913	3300989



- Please contact your representative for inquiries regarding stainless steel alternatives.
- Please indicate order code in your orders.
- Please contact us for special dimensions.
- Material weights may vary by ± 10%

■ All dimensions are given as in mm

- PG= Pre-Galvanized
- HDG= Hot Dip Galvanized

Description	L (mm)	T (mm)	Weight (kg/pcs)	PG Code
040 UK-KM JOINT FITTING	210	1	0,093	3164740
040 UK-KM JOINT FITTING	200	1,2	0,106	3008596
040 UK-KM JOINT FITTING	200	1,5	0,133	3006166
040 UK-KM JOINT FITTING	210	2	0,188	3006944
050 UK-KM JOINT FITTING	210	1	0,110	3240951
050 UK-KM JOINT FITTING	200	1,2	0,125	3114710
050 UK-KM JOINT FITTING	200	1,5	0,157	3006164
050 UK-KM JOINT FITTING	210	2	0,221	3006942
060 UK-KM JOINT FITTING	210	1	0,126	3240952
060 UK-KM JOINT FITTING	200	1,2	0,144	3008595
060 UK-KM JOINT FITTING	200	1,5	0,180	3006162
060 UK-KM JOINT FITTING	210	2	0,254	3006940
075 UK-KM JOINT FITTING	210	1	0,147	3292991
075 UK-KM JOINT FITTING	200	1,2	0,167	3114712
075 UK-KM JOINT FITTING	200	1,5	0,210	3240953
075 UK-KM JOINT FITTING	210	2	0,295	3006938
100 UK-KM JOINT FITTING	210	1	0,188	3293281
100 UK-KM JOINT FITTING	200	1,2	0,215	3241741
100 UK-KM JOINT FITTING	200	1,5	0,269	3240954
100 UK-KM JOINT FITTING	210	2	0,379	3006936

Joint Fitting



1 pcs H=40 joint; 4 M6x12 bolts should be used.

1 pcs H=50 Joint fitting mounting; 4 M6x12 bolts should be used.

1 pcs H=60 Joint fitting mounting; 4 pcs M6x12 Bolt should be used.

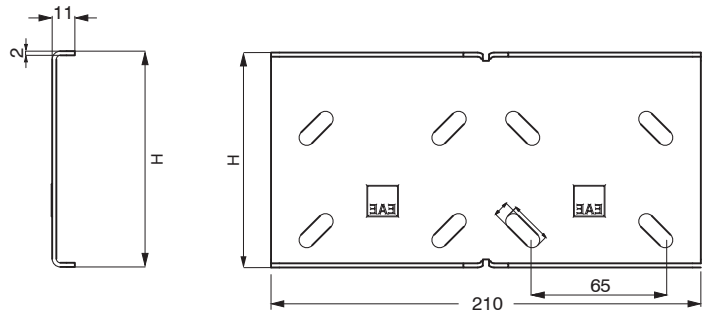
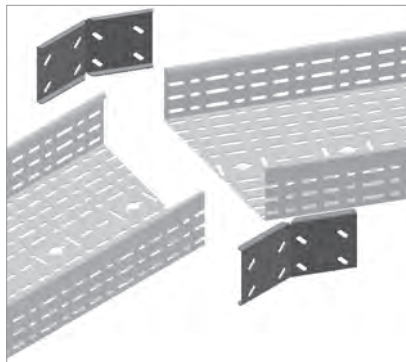
1 pcs H=75 Joint fitting mounting; 8 pcs M6x12 Bolts should be used.

1 pcs H=100 Joint fitting mounting; 8 pcs M6x12 Bolt should be used.

## ►► UKE Notched Joint

Pre-Galvaniz (TS EN 10346 - TS EN 10143)

Description	H (mm)	T (mm)	Weight (kg/pcs)	PG Code
040 UKE NOTCHED JOINT	45	1,2	0,113	3380394
050 UKE NOTCHED JOINT	55	1,2	0,133	3380395
060 UKE NOTCHED JOINT	65	1,2	0,152	3380396
040 UKE NOTCHED JOINT	45	1,5	0,141	3380402
050 UKE NOTCHED JOINT	55	1,5	0,166	3380403
060 UKE NOTCHED JOINT	65	1,5	0,190	3380404
075 UKE NOTCHED JOINT	80	1,5	0,222	3380405
100 UKE NOTCHED JOINT	105	1,5	0,283	3380406
040 UKE NOTCHED JOINT	45	2	0,188	3380397
050 UKE NOTCHED JOINT	55	2	0,221	3380398
060 UKE NOTCHED JOINT	65	2	0,253	3380399
075 UKE NOTCHED JOINT	80	2	0,296	3380400
100 UKE NOTCHED JOINT	105	2	0,377	3380401



■ Please contact your representative for inquiries regarding stainless steel alternatives.

■ Please indicate order code in your orders.

■ Please contact us for special dimensions.

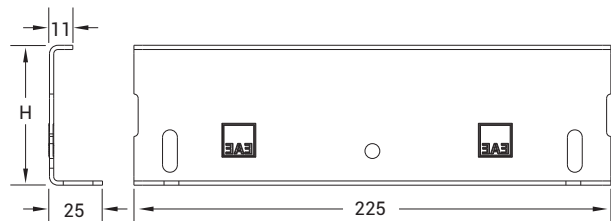
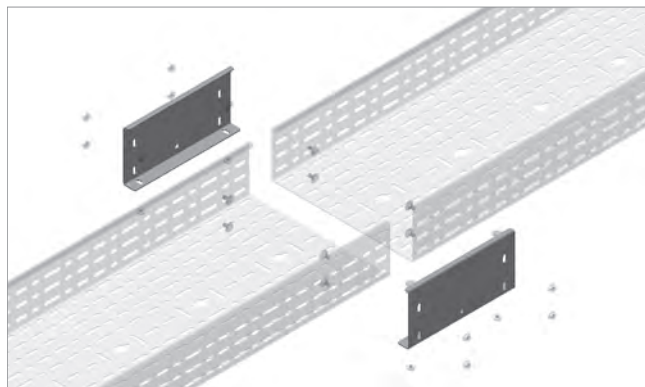
■ Material weights may vary by ± 10%

■ All dimensions are given as in mm

■ PG= Pre-Galvanized

■ HDG= Hot Dip Galvanized

Description	Joining Ladder Thickness (mm)	H (mm)	T (mm)	Weight (kg/pcs)	PG Code
40 UK EXPANSION SET	1 - 1,2	40	2	0,570	3006610
40 UK EXPANSION SET	1,5 - 2	40	2	0,570	3300990
50 UK EXPANSION SET	1 - 1,2	50	2	0,642	3300991
50 UK EXPANSION SET	1,5 - 2	50	2	0,642	3300992
60 UK EXPANSION SET	1 - 1,2	60	2	0,712	3006611
60 UK EXPANSION SET	1,5 - 2	60	2	0,712	3300993
75 UK EXPANSION SET	1 - 1,2	75	2	0,818	3300994
100 UK EXPANSION SET	1,5 - 2	100	2	0,818	3300995

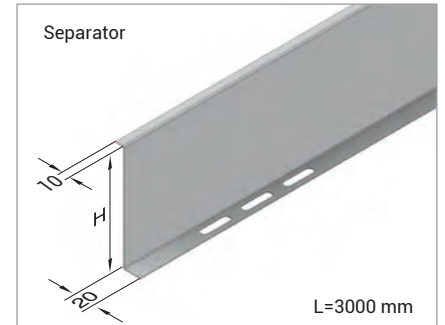
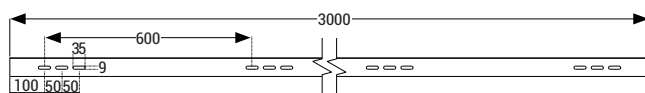


- Expansion set allows 35mm expansion.
- Expansion set includes 2 pcs expansion unit and 8 pcs bolts & nuts.

## ► UKE-UKFG-UKFE Separator

Pre-Galvanized (TS EN 10346 - TS EN 10143)

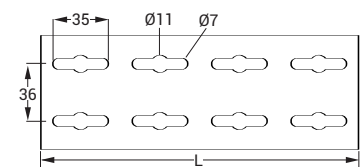
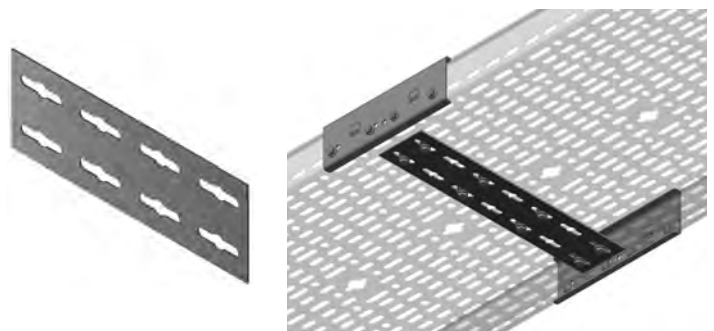
Description	H (mm)	T (mm)	Weight (kg/m)	PG Code
040 UKE-UKFG-UKFE SEPARATOR	35	0,8	0,378	3103127
050 UKE-UKFG-UKFE SEPARATOR	45	0,8	0,441	3103128
060 UKE-UKFG-UKFE SEPARATOR	55	0,8	0,491	3103129
075 UKE-UKFG-UKFE SEPARATOR	70	1	0,740	3299252
100 UKE-UKFG-UKFE SEPARATOR	95	1	0,952	3241740



## ► UK Fish Plate

Pre-Galvanized (TS EN 10346 - TS EN 10143)

Description	L (mm)	T=1,5		T=2	
		Weight (kg/pcs)	PG Code	Weight (kg/pcs)	PG Code
UK 100 Fish Plate	50	0,036	3264854	0,048	3264855
UK 150 Fish Plate	100	0,073	3264856	0,097	3264857
UK 200 Fish Plate	150	0,109	3264858	0,145	3264859
UK 250 Fish Plate	200	0,145	3264860	0,194	3264861
UK 300 Fish Plate	250	0,182	3264862	0,243	3264863
UK 400 Fish Plate	350	0,254	3264864	0,339	3264865
UK 500 Fish Plate	450	0,327	3264868	0,436	3264869
UK 600 Fish Plate	550	0,399	3264870	0,532	3264871



- Please contact your representative for inquiries regarding stainless steel alternatives.
- Please indicate order code in your orders.
- Please contact us for special dimensions.
- Material weights may vary by  $\pm 10\%$

■ All dimensions are given as in mm

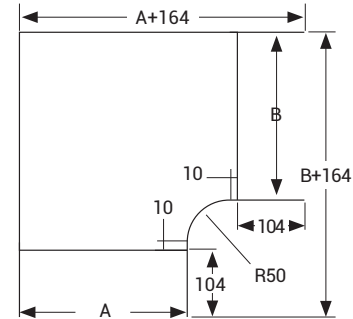
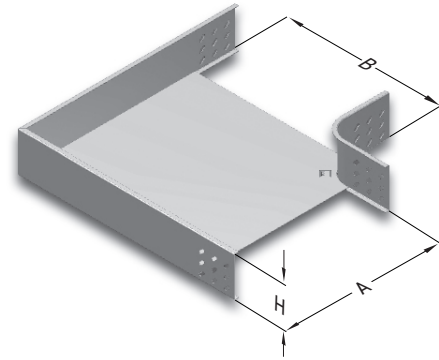
- PG= Pre-Galvanized
- HDG= Hot Dip Galvanized

## ►► BENDS

### ► UKE YD90° Horizontal Bend

Pre-Galvanized (TS EN 10346 - TS EN 10143)

Description	H (mm)	AB (mm)	T=1,2		T=1,5		T=2	
			Weight (kg/pcs)	PG Code	Weight (kg/pcs)	PG Code	Weight (kg/pcs)	PG Code
040 UKE 050 YD90°	40	50	0,515	3008527	0,643	3273854	0,860	3273918
040 UKE 100 YD90°	40	100	0,702	3008526	0,878	3273855	1,173	3273919
040 UKE 150 YD90°	40	150	0,938	3008525	1,172	3273856	1,564	3273920
040 UKE 200 YD90°	40	200	1,219	3008524	1,524	3273857	2,034	3273921
040 UKE 250 YD90°	40	250	1,548	3008523	1,936	3273858	2,583	3273922
040 UKE 300 YD90°	40	300	1,924	3008522	2,406	3273859	3,210	3273923
040 UKE 400 YD90°	40	400	2,817	3008521	3,523	3273860	4,699	3273924
040 UKE 500 YD90°	40	500	3,899	3008520	4,876	3273861	6,503	3273925
040 UKE 600 YD90°	40	600	5,169	3001754	6,463	3273862	8,621	3273926
050 UKE 050 YD90°	50	50	0,583	3273822	0,730	3273863	0,975	3273927
050 UKE 100 YD90°	50	100	0,780	3273823	0,976	3273864	1,304	3273928
050 UKE 150 YD90°	50	150	1,025	3273824	1,282	3273865	1,711	3273929
050 UKE 200 YD90°	50	200	1,316	3273825	1,646	3273866	2,196	3273930
050 UKE 250 YD90°	50	250	1,654	3273826	2,070	3273867	2,761	3273931
050 UKE 300 YD90°	50	300	2,040	3273827	2,551	3273868	3,404	3273932
050 UKE 400 YD90°	50	400	2,952	3273828	3,692	3273869	4,925	3273933
050 UKE 500 YD90°	50	500	4,052	3273829	5,068	3273870	6,759	3273934
050 UKE 600 YD90°	50	600	5,341	3273830	6,679	3273871	8,909	3273935
060 UKE 050 YD90°	60	50	0,654	3359042	0,818	3359043	1,090	3359044
060 UKE 100 YD90°	60	100	0,859	3008218	1,075	3273872	1,435	3273936
060 UKE 150 YD90°	60	150	1,113	3008217	1,392	3273873	1,857	3273937
060 UKE 200 YD90°	60	200	1,413	3008519	1,768	3273874	2,359	3273938
060 UKE 250 YD90°	60	250	1,761	3008518	2,203	3273875	2,939	3273939
060 UKE 300 YD90°	60	300	2,156	3008517	2,697	3273876	3,598	3273940
060 UKE 400 YD90°	60	400	3,087	3008516	3,861	3273877	5,150	3273941
060 UKE 500 YD90°	60	500	4,207	3008515	5,260	3273878	7,016	3273942
060 UKE 600 YD90°	60	600	5,514	3001755	6,895	3273879	9,197	3273943
075 UKE 100 YD90°	75	100	-	-	1,206	3273880	1,619	3273944
075 UKE 150 YD90°	75	150	-	-	1,541	3273881	2,066	3273945
075 UKE 200 YD90°	75	200	-	-	1,935	3273882	2,593	3273946
075 UKE 250 YD90°	75	250	-	-	2,388	3273883	3,198	3273947
075 UKE 300 YD90°	75	300	-	-	2,899	3273884	3,882	3273948
075 UKE 400 YD90°	75	400	-	-	4,099	3273885	5,484	3273949
075 UKE 500 YD90°	75	500	-	-	5,533	3273886	7,400	3273950
075 UKE 600 YD90°	75	600	-	-	7,203	3273887	9,631	3273951
100 UKE 100 YD90°	100	100	-	-	1,436	3273888	1,926	3273952
100 UKE 150 YD90°	100	150	-	-	1,800	3273889	2,413	3273953
100 UKE 200 YD90°	100	200	-	-	2,224	3273890	2,979	3273954
100 UKE 250 YD90°	100	250	-	-	2,706	3273891	3,623	3273955
100 UKE 300 YD90°	100	300	-	-	3,247	3273892	4,346	3273956
100 UKE 400 YD90°	100	400	-	-	4,505	3273893	6,027	3273957
100 UKE 500 YD90°	100	500	-	-	5,999	3273894	8,022	3273958
100 UKE 600 YD90°	100	600	-	-	7,728	3273895	10,331	3273959



■ Please contact your representative for inquiries regarding stainless steel alternatives.

■ Please indicate order code in your orders.

■ Please contact us for special dimensions.

■ Material weights may vary by ± 10%

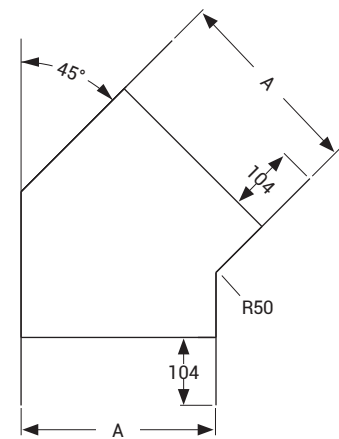
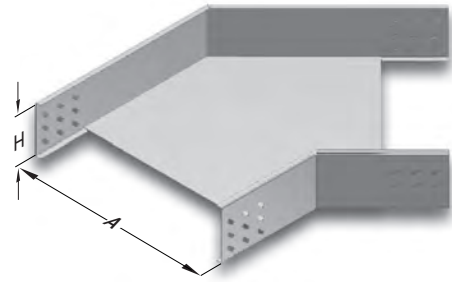
■ All dimensions are given as in mm

■ PG= Pre-Galvanized

■ HDG= Hot Dip Galvanized



Description	H (mm)	AB (mm)	T=1,2		T=1,5		T=2	
			Weight (kg/pcs)	PG Code	Weight (kg/pcs)	PG Code	Weight (kg/pcs)	PG Code
040 UKE 050 YD45°	40	50	0,410	3273510	0,513	3273443	0,683	3273377
040 UKE 100 YD45°	40	100	0,503	3273511	0,630	3273444	0,838	3273378
040 UKE 150 YD45°	40	150	0,616	3273512	0,771	3273445	1,027	3273379
040 UKE 200 YD45°	40	200	0,749	3273513	0,937	3273446	1,278	3273380
040 UKE 250 YD45°	40	250	0,901	3273514	1,126	3273447	1,501	3273381
040 UKE 300 YD45°	40	300	1,072	3273515	1,340	3273448	1,787	3273382
040 UKE 400 YD45°	40	400	1,473	3273516	1,843	3273449	2,455	3273383
040 UKE 500 YD45°	40	500	1,953	3273517	2,441	3273450	3,255	3273384
040 UKE 600 YD45	40	600	2,510	3273518	3,139	3273451	4,184	3273385
050 UKE 050 YD45°	50	50	0,468	3273519	0,587	3273452	0,781	3273386
050 UKE 100 YD45°	50	100	0,565	3273520	0,710	3273453	0,943	3273387
050 UKE 150 YD45°	50	150	0,682	3273521	0,855	3273454	1,138	3273388
050 UKE 200 YD45°	50	200	0,819	3273522	1,026	3273455	1,366	3273389
050 UKE 250 YD45°	50	250	0,975	3273523	1,220	3273456	1,626	3273390
050 UKE 300 YD45°	50	300	1,150	3273524	1,440	3273457	1,918	3273391
050 UKE 400 YD45°	50	400	1,559	3273525	1,952	3273458	2,599	3273392
050 UKE 500 YD45°	50	500	2,046	3273526	2,561	3273459	3,411	3273393
050 UKE 600 YD45°	50	600	2,611	3273527	3,268	3273460	4,354	3273394
060 UKE 050 YD45°	60	50	0,699	3359045	0,874	3359046	1,165	3359047
060 UKE 100 YD45°	60	100	0,629	3273528	0,788	3273461	1,047	3273395
060 UKE 150 YD45°	60	150	0,749	3273529	0,938	3273462	1,249	3273396
060 UKE 200 YD45°	60	200	0,890	3273530	1,114	3273463	1,482	3273397
060 UKE 250 YD45°	60	250	1,050	3273531	1,313	3273464	1,749	3273398
060 UKE 300 YD45°	60	300	1,229	3273532	1,537	3273465	2,048	3273399
060 UKE 400 YD45°	60	400	1,645	3273533	2,059	3273466	2,742	3273400
060 UKE 500 YD45°	60	500	2,141	3273534	2,678	3273467	3,567	3273401
060 UKE 600 YD45	60	600	2,713	3273535	3,395	3273468	4,523	3273402
075 UKE 100 YD45°	75	100	-	-	0,890	3273469	1,183	3273403
075 UKE 150 YD45°	75	150	-	-	1,048	3273470	1,394	3273404
075 UKE 200 YD45°	75	200	-	-	1,231	3273471	1,638	3273405
075 UKE 250 YD45°	75	250	-	-	1,438	3273472	1,914	3273406
075 UKE 300 YD45°	75	300	-	-	1,669	3273473	2,223	3273407
075 UKE 400 YD45°	75	400	-	-	2,206	3273474	2,936	3273408
075 UKE 500 YD45°	75	500	-	-	2,839	3273475	3,781	3273409
075 UKE 600 YD45°	75	600	-	-	3,571	3273476	4,756	3273410
100 UKE 100 YD45°	100	100	-	-	1,070	3273477	1,424	3273411
100 UKE 150 YD45°	100	150	-	-	1,239	3273478	1,651	3273412
100 UKE 200 YD45°	100	200	-	-	1,435	3273479	1,911	3273413
100 UKE 250 YD45°	100	250	-	-	1,654	3273480	2,204	3273414
100 UKE 300 YD45°	100	300	-	-	1,897	3273481	2,528	3273415
100 UKE 400 YD45°	100	400	-	-	2,459	3273482	3,275	3273416
100 UKE 500 YD45°	100	500	-	-	3,116	3273483	4,152	3273417
100 UKE 600 YD45°	100	600	-	-	3,872	3273484	5,159	3273418



■ Please contact your representative for inquiries regarding stainless steel alternatives.

■ Please indicate order code in your orders.

■ Please contact us for special dimensions.

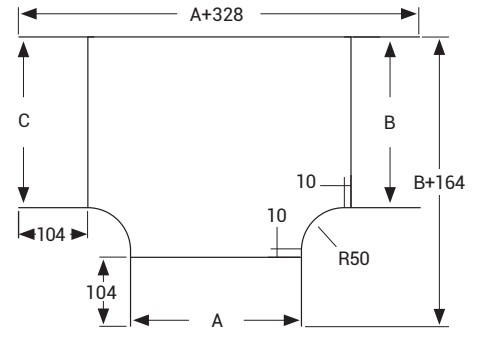
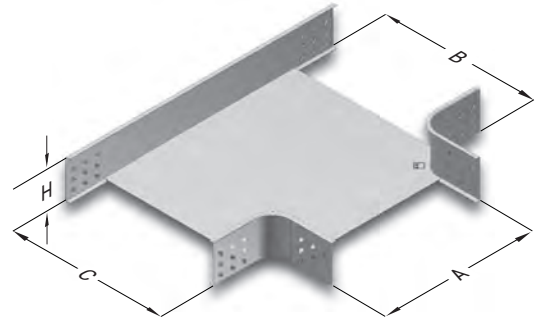
■ Material weights may vary by ± 10%

■ All dimensions are given as in mm

■ PG= Pre-Galvanized

■ HDG= Hot Dip Galvanized

Description	H (mm)	ABC (mm)	T=1,2		T=1,5		T=2	
			Weight (kg/pcs)	PG Code	Weight (kg/pcs)	PG Code	Weight (kg/pcs)	PG Code
040 UKE 050 YT	40	50	0,520	3008501	0,875	3274030	1,169	3274094
040 UKE 100 YT	40	100	0,706	3008500	1,107	3274031	1,478	3274095
040 UKE 150 YT	40	150	0,938	3008499	1,398	3274032	1,866	3274096
040 UKE 200 YT	40	200	1,218	3008498	1,748	3274033	2,332	3274097
040 UKE 250 YT	40	250	1,545	3008497	2,156	3274034	2,878	3274098
040 UKE 300 YT	40	300	1,919	3008496	2,624	3274035	3,501	3274099
040 UKE 400 YT	40	400	2,809	3008495	3,735	3274036	4,982	3274100
040 UKE 500 YT	40	500	3,886	3008494	5,082	3274037	6,779	3274101
040 UKE 600 YT	40	600	5,152	3001756	6,665	3274038	8,888	3274102
050 UKE 050 YT	50	50	0,583	3273998	0,992	3274039	1,326	3274103
050 UKE 100 YT	50	100	0,774	3273999	1,229	3274040	1,644	3274104
050 UKE 150 YT	50	150	1,011	3274000	1,526	3274041	2,040	3274105
050 UKE 200 YT	50	200	1,296	3274001	1,882	3274042	2,514	3274106
050 UKE 250 YT	50	250	1,628	3274002	2,296	3274043	3,068	3274107
050 UKE 300 YT	50	300	2,007	3274003	2,770	3274044	3,699	3274108
050 UKE 400 YT	50	400	2,905	3274004	3,893	3274045	5,197	3274109
050 UKE 500 YT	50	500	3,992	3274005	5,252	3274046	7,010	3274110
050 UKE 600 YT	50	600	5,268	3274006	6,846	3274047	9,135	3274111
060 UKE 050 YT	60	50	0,886	3359048	1,118	3359049	1,490	3359050
060 UKE 100 YT	60	100	1,081	3008215	1,352	3274048	1,807	3274112
060 UKE 150 YT	60	150	1,322	3008214	1,654	3274049	2,211	3274113
060 UKE 200 YT	60	200	1,612	3008493	2,017	3274050	2,693	3274114
060 UKE 250 YT	60	250	1,948	3008492	2,436	3274051	3,254	3274115
060 UKE 300 YT	60	300	2,332	3008491	2,915	3274052	3,894	3274116
060 UKE 400 YT	60	400	3,240	3008490	4,050	3274053	5,407	3274117
060 UKE 500 YT	60	500	4,336	3008489	5,421	3274054	7,236	3274118
060 UKE 600 YT	60	600	5,621	3001757	7,027	3274055	9,377	3274119
075 UKE 100 YT	75	100	-	-	1,512	3274056	2,019	3274120
075 UKE 150 YT	75	150	-	-	1,823	3274057	2,435	3274121
075 UKE 200 YT	75	200	-	-	2,194	3274058	2,929	3274122
075 UKE 250 YT	75	250	-	-	2,622	3274059	3,502	3274123
075 UKE 300 YT	75	300	-	-	3,111	3274060	4,153	3274124
075 UKE 400 YT	75	400	-	-	4,263	3274061	5,690	3274125
075 UKE 500 YT	75	500	-	-	5,652	3274062	7,542	3274126
075 UKE 600 YT	75	600	-	-	7,275	3274063	9,707	3274127
100 UKE 100 YT	100	100	-	-	1,786	3274064	2,397	3274128
100 UKE 150 YT	100	150	-	-	2,112	3274065	2,833	3274129
100 UKE 200 YT	100	200	-	-	2,498	3274066	3,346	3274130
100 UKE 250 YT	100	250	-	-	2,941	3274067	3,939	3274131
100 UKE 300 YT	100	300	-	-	3,444	3274068	4,610	3274132
100 UKE 400 YT	100	400	-	-	4,626	3274069	6,186	3274133
100 UKE 500 YT	100	500	-	-	6,044	3274070	8,077	3274134
100 UKE 600 YT	100	600	-	-	7,697	3274071	10,281	3274135



■ Please contact your representative for inquiries regarding stainless steel alternatives.

■ Please indicate order code in your orders.

■ Please contact us for special dimensions.

■ Material weights may vary by ± 10%

■ All dimensions are given as in mm

■ PG= Pre-Galvanized

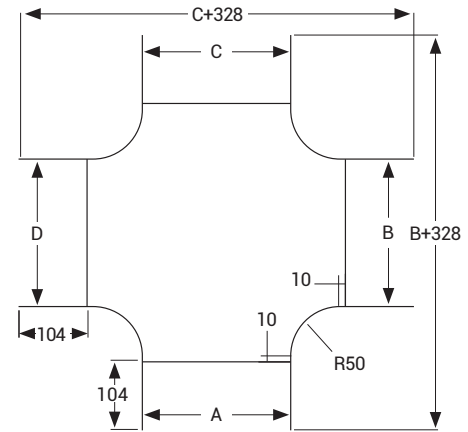
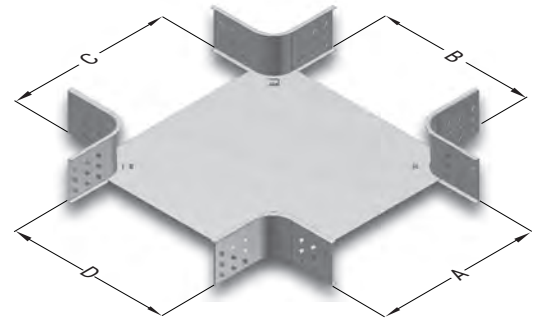
■ HDG= Hot Dip Galvanized

## ►► BENDS

### ► UKE AD Cross Over Bend

Pre-Galvanized (TS EN 10346 - TS EN 10143)

Description	H (mm)	ABC (mm)	T=1,2		T=1,5		T=2	
			Weight (kg/pcs)	PG Code	Weight (kg/pcs)	PG Code	Weight (kg/pcs)	PG Code
040 UKE 050 AD	40	50	0,877	3008514	1,096	3272418	1,465	3272482
040 UKE 100 AD	40	100	1,060	3008513	1,326	3272419	1,771	3272483
040 UKE 150 AD	40	150	1,291	3008512	1,614	3272420	2,156	3272484
040 UKE 200 AD	40	200	1,569	3008511	1,961	3272421	2,619	3272485
040 UKE 250 AD	40	250	1,894	3008510	2,368	3272422	3,161	3272486
040 UKE 300 AD	40	300	2,266	3008509	2,833	3272423	3,781	3272487
040 UKE 400 AD	40	400	3,152	3008508	3,940	3272424	5,257	3272488
040 UKE 500 AD	40	500	4,226	3008507	5,282	3272425	7,047	3272489
040 UKE 600 AD	40	600	5,506	3001758	6,860	3272426	9,150	3272490
050 UKE 050 AD	50	50	0,989	3272388	1,240	3272427	1,657	3272491
050 UKE 100 AD	50	100	1,172	3272389	1,470	3272428	1,963	3272492
050 UKE 150 AD	50	150	1,403	3272390	1,758	3272429	2,348	3272493
050 UKE 200 AD	50	200	1,681	3272391	2,105	3272430	2,811	3272494
050 UKE 250 AD	50	250	2,006	3272392	2,512	3272431	3,353	3272495
050 UKE 300 AD	50	300	2,378	3272393	2,977	3272432	3,973	3272496
050 UKE 400 AD	50	400	3,264	3272394	4,084	3272433	5,449	3272497
050 UKE 500 AD	50	500	4,338	3272395	5,426	3272434	7,239	3272498
050 UKE 600 AD	50	600	5,618	3272396	7,004	3272435	9,342	3272499
060 UKE 050 AD	60	50	1,110	3359051	1,388	3359052	1,850	3359053
060 UKE 100 AD	60	100	1,288	3008212	1,614	3272436	2,155	3272500
060 UKE 150 AD	60	150	1,519	3008211	1,902	3272437	2,540	3272501
060 UKE 200 AD	60	200	1,797	3008506	2,249	3272438	3,003	3272502
060 UKE 250 AD	60	250	2,122	3008505	2,656	3272439	3,545	3272503
060 UKE 300 AD	60	300	2,494	3008504	3,121	3272440	4,165	3272504
060 UKE 400 AD	60	400	3,380	3008503	4,228	3272441	5,641	3272505
060 UKE 500 AD	60	500	4,454	3008502	5,570	3272442	7,431	3272506
060 UKE 600 AD	60	600	5,734	3001759	7,148	3272443	9,534	3272507
075 UKE 100 AD	75	100	-	-	1,798	3272444	2,399	3272508
075 UKE 150 AD	75	150	-	-	2,086	3272445	2,784	3272509
075 UKE 200 AD	75	200	-	-	2,433	3272446	3,247	3272510
075 UKE 250 AD	75	250	-	-	2,840	3272447	3,789	3272511
075 UKE 300 AD	75	300	-	-	3,305	3272448	4,409	3272512
075 UKE 400 AD	75	400	-	-	4,412	3272449	5,885	3272513
075 UKE 500 AD	75	500	-	-	5,754	3272450	7,675	3272514
075 UKE 600 AD	75	600	-	-	7,332	3272451	9,778	3272515
100 UKE 100 AD	100	100	-	-	2,126	3272452	2,839	3272516
100 UKE 150 AD	100	150	-	-	2,414	3272453	3,224	3272517
100 UKE 200 AD	100	200	-	-	2,761	3272454	3,687	3272518
100 UKE 250 AD	100	250	-	-	3,168	3272455	4,229	3272519
100 UKE 300 AD	100	300	-	-	3,633	3272456	4,849	3272520
100 UKE 400 AD	100	400	-	-	4,740	3272457	6,325	3272521
100 UKE 500 AD	100	500	-	-	6,082	3272458	8,115	3272522
100 UKE 600 AD	100	600	-	-	7,660	3272459	10,218	3272523



■ Please contact your representative for inquiries regarding stainless steel alternatives.

■ Please indicate order code in your orders.

■ Please contact us for special dimensions.

■ Material weights may vary by ± 10%

■ All dimensions are given as in mm

■ PG= Pre-Galvanized

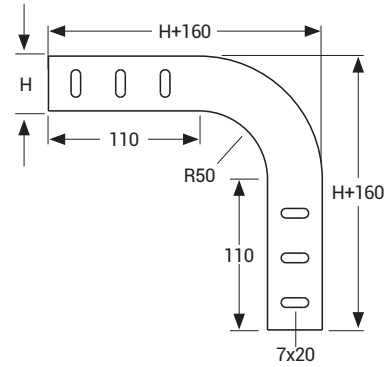
■ HDG= Hot Dip Galvanized

## ►► BENDS

### ► UKE DD Vertical Outside Bend

Pre-Galvanized (TS EN 10346 - TS EN 10143)

Description	H (mm)	A (mm)	T=1,2		T=1,5		T=2	
			Weight (kg/pcs)	PG Code	Weight (kg/pcs)	PG Code	Weight (kg/pcs)	PG Code
040 UKE 050 DD	40	50	0,446	3008475	0,542	3272670	0,722	3272560
040 UKE 100 DD	40	100	0,478	3008474	0,596	3272671	0,795	3272561
040 UKE 150 DD	40	150	0,522	3008473	0,651	3272672	0,869	3272562
040 UKE 200 DD	40	200	0,565	3008472	0,705	3272673	0,941	3272563
040 UKE 250 DD	40	250	0,610	3008471	0,761	3272674	1,016	3272564
040 UKE 300 DD	40	300	0,653	3008470	0,815	3272675	1,088	3272565
040 UKE 400 DD	40	400	0,740	3008469	0,925	3272676	1,235	3272566
040 UKE 500 DD	40	500	0,828	3008468	1,035	3272677	1,381	3272567
040 UKE 600 DD	40	600	0,914	3001762	1,143	3272678	1,526	3272568
050 UKE 050 DD	50	50	0,510	3272725	0,624	3272679	0,832	3272569
050 UKE 100 DD	50	100	0,542	3272726	0,678	3272680	0,905	3272570
050 UKE 150 DD	50	150	0,586	3272727	0,733	3272681	0,979	3272571
050 UKE 200 DD	50	200	0,629	3272728	0,787	3272682	1,051	3272572
050 UKE 250 DD	50	250	0,674	3272729	0,843	3272683	1,126	3272573
050 UKE 300 DD	50	300	0,717	3272730	0,897	3272684	1,198	3272574
050 UKE 400 DD	50	400	0,804	3272731	1,007	3272685	1,345	3272575
050 UKE 500 DD	50	500	0,892	3272732	1,117	3272686	1,491	3272576
050 UKE 600 DD	50	600	0,978	3272733	1,225	3272687	1,636	3272577
060 UKE 050 DD	60	50	0,565	3359054	0,707	3359055	0,942	3359056
060 UKE 100 DD	60	100	0,612	3008209	0,764	3272688	1,019	3272578
060 UKE 150 DD	60	150	0,656	3008208	0,819	3272689	1,093	3272579
060 UKE 200 DD	60	200	0,699	3008467	0,873	3272690	1,165	3272580
060 UKE 250 DD	60	250	0,744	3008466	0,929	3272691	1,240	3272581
060 UKE 300 DD	60	300	0,787	3008465	0,983	3272692	1,312	3272582
060 UKE 400 DD	60	400	0,874	3008464	1,093	3272693	1,459	3272583
060 UKE 500 DD	60	500	0,962	3008463	1,203	3272694	1,605	3272584
060 UKE 600 DD	60	600	1,048	3001763	1,311	3272695	1,750	3272585
075 UKE 100 DD	75	100	-	-	0,898	3272696	1,199	3272586
075 UKE 150 DD	75	150	-	-	0,953	3272697	1,273	3272587
075 UKE 200 DD	75	200	-	-	1,007	3272698	1,345	3272588
075 UKE 250 DD	75	250	-	-	1,063	3272699	1,420	3272589
075 UKE 300 DD	75	300	-	-	1,117	3272700	1,492	3272590
075 UKE 400 DD	75	400	-	-	1,227	3272701	1,639	3272591
075 UKE 500 DD	75	500	-	-	1,337	3272702	1,785	3272592
075 UKE 600 DD	75	600	-	-	1,445	3272703	1,930	3272593
100 UKE 100 DD	100	100	-	-	1,142	3272704	1,523	3272594
100 UKE 150 DD	100	150	-	-	1,197	3272705	1,597	3272595
100 UKE 200 DD	100	200	-	-	1,251	3272706	1,669	3272596
100 UKE 250 DD	100	250	-	-	1,307	3272707	1,744	3272597
100 UKE 300 DD	100	300	-	-	1,361	3272708	1,816	3272598
100 UKE 400 DD	100	400	-	-	1,471	3272709	1,963	3272599
100 UKE 500 DD	100	500	-	-	1,581	3272710	2,109	3272600
100 UKE 600 DD	100	600	-	-	1,689	3272711	2,254	3272601



■ Please contact your representative for inquiries regarding stainless steel alternatives.

■ Please indicate order code in your orders.

■ Please contact us for special dimensions.

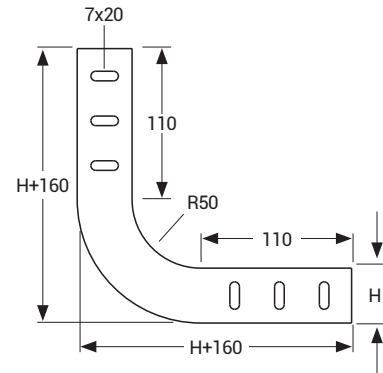
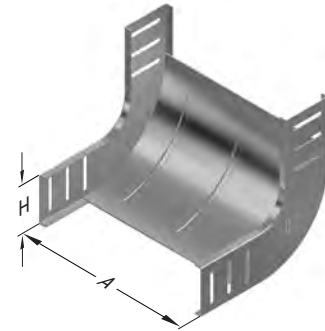
■ Material weights may vary by ± 10%

■ All dimensions are given as in mm

■ PG= Pre-Galvanized

■ HDG= Hot Dip Galvanized

Description	H (mm)	A (mm)	T=1,2		T=1,5		T=2	
			Weight (kg/pcs)	PG Code	Weight (kg/pcs)	PG Code	Weight (kg/pcs)	PG Code
040 UKE 050 ID	40	50	0,463	3008488	0,577	3273269	0,769	3273205
040 UKE 100 ID	40	100	0,536	3008487	0,669	3273270	0,892	3273206
040 UKE 150 ID	40	150	0,610	3008486	0,761	3273271	1,015	3273207
040 UKE 200 ID	40	200	0,683	3008485	0,852	3273272	1,136	3273208
040 UKE 250 ID	40	250	0,757	3008484	0,944	3273273	1,259	3273209
040 UKE 300 ID	40	300	0,829	3008483	1,035	3273274	1,379	3273210
040 UKE 400 ID	40	400	0,976	3008482	1,218	3273275	1,623	3273211
040 UKE 500 ID	40	500	1,122	3008481	1,400	3273276	1,867	3273212
040 UKE 600 ID	40	600	1,268	3001760	1,582	3273277	2,108	3273213
050 UKE 050 ID	50	50	0,534	3273333	0,668	3273278	0,891	3273214
050 UKE 100 ID	50	100	0,615	3273334	0,770	3273279	1,027	3273215
050 UKE 150 ID	50	150	0,697	3273335	0,871	3273280	1,163	3273216
050 UKE 200 ID	50	200	0,777	3273336	0,971	3273281	1,296	3273217
050 UKE 250 ID	50	250	0,858	3273337	1,073	3273282	1,431	3273218
050 UKE 300 ID	50	300	0,938	3273338	1,173	3273283	1,564	3273219
050 UKE 400 ID	50	400	1,099	3273339	1,374	3273284	1,833	3273220
050 UKE 500 ID	50	500	1,261	3273340	1,576	3273285	2,102	3273221
050 UKE 600 ID	50	600	1,421	3273341	1,776	3273286	2,368	3273222
060 UKE 050 ID	60	50	0,609	3008205	0,761	3359057	1,015	3359058
060 UKE 100 ID	60	100	0,700	3008206	0,874	3273287	1,166	3273223
060 UKE 150 ID	60	150	0,789	3008207	0,985	3273288	1,314	3273224
060 UKE 200 ID	60	200	0,877	3008480	1,095	3273289	1,460	3273225
060 UKE 250 ID	60	250	0,966	3008479	1,206	3273290	1,608	3273226
060 UKE 300 ID	60	300	1,053	3008478	1,315	3273291	1,753	3273227
060 UKE 400 ID	60	400	1,229	3008477	1,535	3273292	2,047	3273228
060 UKE 500 ID	60	500	1,406	3008476	1,755	3273293	2,341	3273229
060 UKE 600 ID	60	600	1,581	3001761	1,974	3273294	2,631	3273230
075 UKE 100 ID	75	100	-	-	1,036	3273295	1,383	3273231
075 UKE 150 ID	75	150	-	-	1,135	3273296	1,551	3273232
075 UKE 200 ID	75	200	-	-	1,285	3273297	1,715	3273233
075 UKE 250 ID	75	250	-	-	1,410	3273298	1,882	3273234
075 UKE 300 ID	75	300	-	-	1,533	3273299	2,046	3273235
075 UKE 400 ID	75	400	-	-	1,781	3273300	2,377	3273236
075 UKE 500 ID	75	500	-	-	2,029	3273301	2,708	3273237
075 UKE 600 ID	75	600	-	-	2,275	3273302	3,036	3273238
100 UKE 100 ID	100	100	-	-	1,327	3273303	1,770	3273239
100 UKE 150 ID	100	150	-	-	1,476	3273304	1,969	3273240
100 UKE 200 ID	100	200	-	-	1,622	3273305	2,163	3273241
100 UKE 250 ID	100	250	-	-	1,771	3273306	2,363	3273242
100 UKE 300 ID	100	300	-	-	1,917	3273307	2,557	3273243
100 UKE 400 ID	100	400	-	-	2,212	3273308	2,951	3273244
100 UKE 500 ID	100	500	-	-	2,507	3273309	3,345	3273245
100 UKE 600 ID	100	600	-	-	2,799	3273310	3,734	3273246



■ Please contact your representative for inquiries regarding stainless steel alternatives.

■ Please indicate order code in your orders.

■ Please contact us for special dimensions.

■ Material weights may vary by ± 10%

■ All dimensions are given as in mm

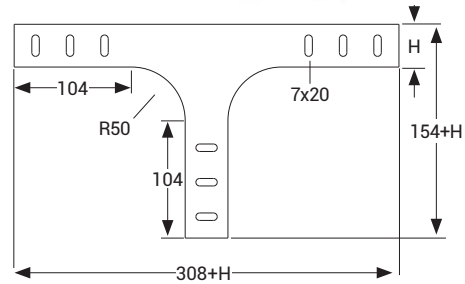
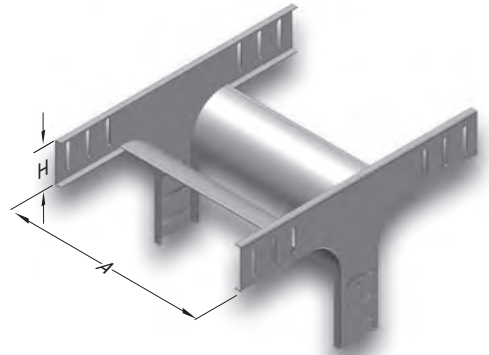
■ PG= Pre-Galvanized

■ HDG= Hot Dip Galvanized

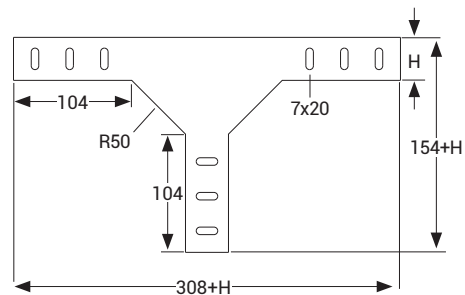
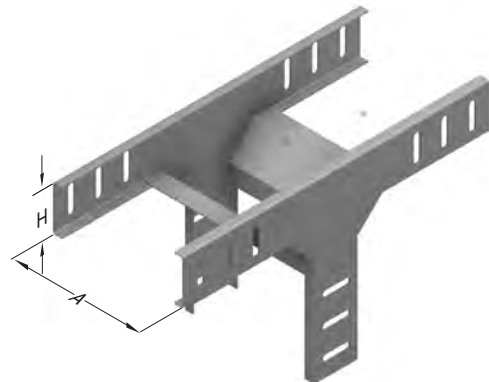
## ►► BENDS

### ► UKE Centre Descent Bend R=50 Pre-Galvanized (TS EN 10346 - TS EN 10143)

Description	H (mm)	A (mm)	T (mm)	Weight (kg/pcs)	PG Code
040 UKE 50 TO	40	50	1,2	0,630	3195732
040 UKE 100 TO	40	100	1,2	0,704	3195733
040 UKE 150 TO	40	150	1,2	0,780	3195734
040 UKE 200 TO	40	200	1,2	0,854	3195735
040 UKE 250 TO	40	250	1,2	0,928	3195736
040 UKE 300 TO	40	300	1,2	1,022	3195737
040 UKE 400 TO	40	400	1,2	1,152	3195738
040 UKE 500 TO	40	500	1,2	1,300	3195739
040 UKE 600 TO	40	600	1,2	1,450	3195740
060 UKE 50 TO	60	50	1,2	0,822	3195741
060 UKE 100 TO	60	100	1,2	0,896	3195742
060 UKE 150 TO	60	150	1,2	0,972	3195743
060 UKE 200 TO	60	200	1,2	1,046	3195744
060 UKE 250 TO	60	250	1,2	1,120	3195745
060 UKE 300 TO	60	300	1,2	1,214	3195746
060 UKE 400 TO	60	400	1,2	1,344	3195747
060 UKE 500 TO	60	500	1,2	1,492	3195748
060 UKE 600 TO	60	600	1,2	1,642	3195749



Description	H (mm)	A (mm)	T (mm)	Weight (kg/pcs)	PG Code
050 UKE 50 TO	50	50	1,2	0,716	3299999
050 UKE 100 TO	50	100	1,2	0,794	3300000
050 UKE 150 TO	50	150	1,2	0,873	3300001
050 UKE 200 TO	50	200	1,2	0,952	3300002
050 UKE 250 TO	50	250	1,2	1,031	3300003
050 UKE 300 TO	50	300	1,2	1,11	3300004
050 UKE 400 TO	50	400	1,2	1,267	3300005
050 UKE 500 TO	50	500	1,2	1,425	3300006
050 UKE 600 TO	50	600	1,2	1,583	3300007
075 UKE 100 TO	75	100	1,2	1,046	3300008
075 UKE 150 TO	75	150	1,2	1,125	3300009
075 UKE 200 TO	75	200	1,2	1,204	3300010
075 UKE 250 TO	75	250	1,2	1,282	3300011
075 UKE 300 TO	75	300	1,2	1,361	3300012
075 UKE 400 TO	75	400	1,2	1,519	3300013
075 UKE 500 TO	75	500	1,2	1,677	3300014
075 UKE 600 TO	75	600	1,2	1,834	3300015
100 UKE 100 TO	100	100	1,2	1,328	3300016
100 UKE 150 TO	100	150	1,2	1,406	3300017
100 UKE 200 TO	100	200	1,2	1,485	3300018
100 UKE 250 TO	100	250	1,2	1,564	3300019
100 UKE 300 TO	100	300	1,2	1,643	3300020
100 UKE 400 TO	100	400	1,2	1,801	3300021
100 UKE 500 TO	100	500	1,2	1,958	3300022
100 UKE 600 TO	100	600	1,2	2,116	3300023



- Please contact your representative for inquiries regarding stainless steel alternatives.
- Please indicate order code in your orders.
- Please contact us for special dimensions.
- Material weights may vary by ± 10%

■ All dimensions are given as in mm

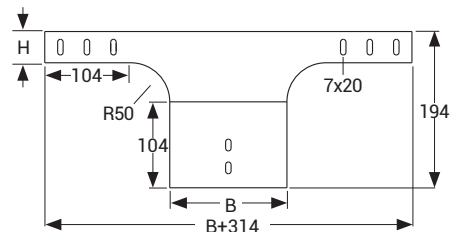
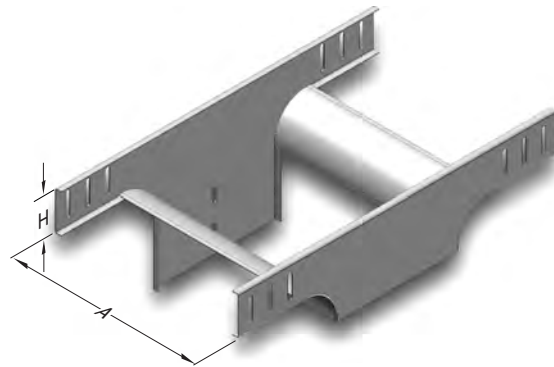
- PG= Pre-Galvanized
- HDG= Hot Dip Galvanized

## ►► BENDS

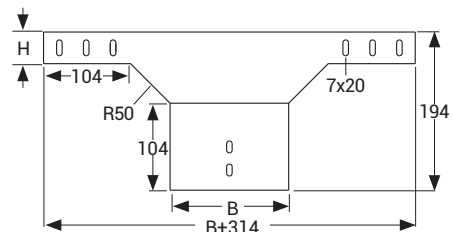
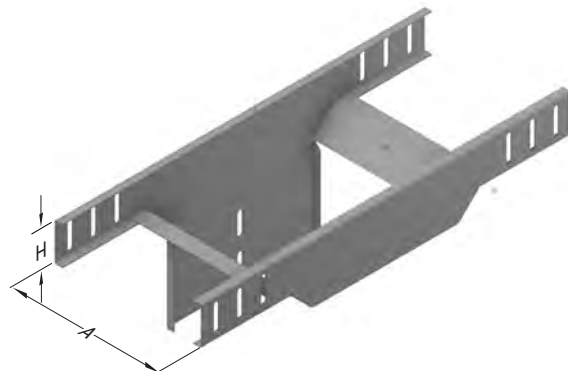
### ► UKE Wall Mounted Bend R=50

Pre-Galvanized (TS EN 10346 - TS EN 10143)

Description	H (mm)	A (mm)	B (mm)	T (mm)	Weight (kg/pcs)	PG Code
040 UKE 50 TD	40	50	50	1,2	0,605	3195713
040 UKE 100 TD	40	100	100	1,2	0,822	3195714
040 UKE 150 TD	40	150	150	1,2	1,042	3195715
040 UKE 200 TD	40	200	200	1,2	1,260	3195716
040 UKE 250 TD	40	250	200	1,2	1,334	3195717
040 UKE 300 TD	40	300	200	1,2	1,428	3195718
040 UKE 400 TD	40	400	200	1,2	1,558	3195719
040 UKE 500 TD	40	500	200	1,2	1,706	3195720
040 UKE 600 TD	40	600	200	1,2	1,856	3195721
060 UKE 50 TD	60	50	50	1,2	0,723	3195722
060 UKE 100 TD	60	100	100	1,2	0,960	3195724
060 UKE 150 TD	60	150	150	1,2	1,199	3195725
060 UKE 200 TD	60	200	200	1,2	1,436	3195726
060 UKE 250 TD	60	250	200	1,2	1,510	3195727
060 UKE 300 TD	60	300	200	1,2	1,604	3195728
060 UKE 400 TD	60	400	200	1,2	1,734	3195729
060 UKE 500 TD	60	500	200	1,2	1,882	3195730
060 UKE 600 TD	60	600	200	1,2	2,032	3195731



Description	H (mm)	A (mm)	B (mm)	T (mm)	Weight (kg/pcs)	PG Code
050 UKE 50 TD	50	50	50	1,2	0,616	3299974
050 UKE 100 TD	50	100	100	1,2	0,818	3299975
050 UKE 150 TD	50	150	150	1,2	1,020	3299976
050 UKE 200 TD	50	200	200	1,2	1,222	3299977
050 UKE 250 TD	50	250	200	1,2	1,280	3299978
050 UKE 300 TD	50	300	200	1,2	1,339	3299979
050 UKE 400 TD	50	400	200	1,2	1,457	3299980
050 UKE 500 TD	50	500	200	1,2	1,575	3299981
050 UKE 600 TD	50	600	200	1,2	1,693	3299982
075 UKE 100 TD	75	100	50	1,2	0,996	3299983
075 UKE 150 TD	75	150	100	1,2	1,221	3299984
075 UKE 200 TD	75	200	150	1,2	1,447	3299985
075 UKE 250 TD	75	250	200	1,2	1,505	3299986
075 UKE 300 TD	75	300	200	1,2	1,564	3299987
075 UKE 400 TD	75	400	200	1,2	1,682	3299988
075 UKE 500 TD	75	500	200	1,2	1,801	3299989
075 UKE 600 TD	75	600	200	1,2	1,918	3299990
100 UKE 100 TD	100	100	50	1,2	1,173	3299991
100 UKE 150 TD	100	150	100	1,2	1,421	3299992
100 UKE 200 TD	100	200	150	1,2	1,670	3299993
100 UKE 250 TD	100	250	200	1,2	1,729	3299994
100 UKE 300 TD	100	300	200	1,2	1,788	3299995
100 UKE 400 TD	100	400	200	1,2	1,906	3299996
100 UKE 500 TD	100	500	200	1,2	2,024	3299997
100 UKE 600 TD	100	600	200	1,2	2,142	3299998



■ Please contact your representative for inquiries regarding stainless steel alternatives.

■ Please indicate order code in your orders.

■ Please contact us for special dimensions.

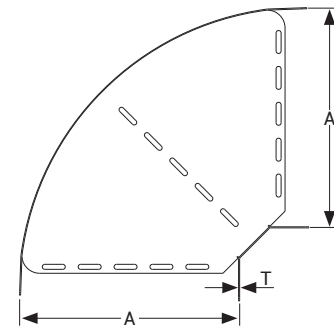
■ Material weights may vary by  $\pm 10\%$

■ All dimensions are given as in mm

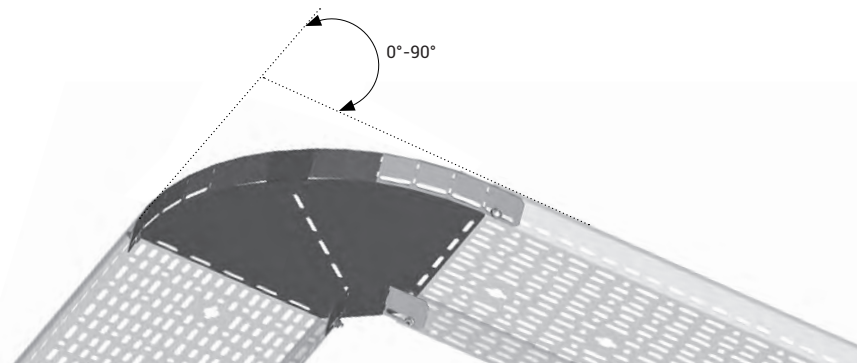
■ PG= Pre-Galvanized

■ HDG= Hot Dip Galvanized

Description	H (mm)	A (mm)	T=1,2		T=1,5		T=2	
			Weight (kg/pcs)	PG Code	Weight (kg/pcs)	PG Code	Weight (kg/pcs)	PG Code
40 UK 100 FLEXIBLE BEND	40	100	0,274	3300091	0,342	3134573	0,456	3300121
40 UK 150 FLEXIBLE BEND	40	150	0,418	3358622	0,522	3358612	0,696	3358632
40 UK 200 FLEXIBLE BEND	40	200	0,612	3300092	0,765	3134575	1,020	3300122
40 UK 250 FLEXIBLE BEND	40	250	0,830	3358623	1,038	3358613	1,384	3358633
40 UK 300 FLEXIBLE BEND	40	300	1,085	3300093	1,356	3134576	1,808	3300123
40 UK 400 FLEXIBLE BEND	40	400	1,740	3300094	2,175	3134577	2,900	3300124
40 UK 500 FLEXIBLE BEND	40	500	2,522	3300095	3,153	3134578	4,204	3300125
40 UK 600 FLEXIBLE BEND	40	600	3,454	3300096	4,317	3134579	5,756	3300126
50 UK 100 FLEXIBLE BEND	50	100	0,324	3300097	0,405	3300073	0,540	3300127
50 UK 150 FLEXIBLE BEND	50	150	0,473	3358624	0,592	3358614	0,789	3358634
50 UK 200 FLEXIBLE BEND	50	200	0,682	3300098	0,852	3300074	1,136	3300128
50 UK 250 FLEXIBLE BEND	50	250	0,904	3358625	1,131	3358615	1,508	3358635
50 UK 300 FLEXIBLE BEND	50	300	1,164	3300099	1,455	3300075	1,940	3300129
50 UK 400 FLEXIBLE BEND	50	400	1,847	3300100	2,309	3300076	3,079	3300130
50 UK 500 FLEXIBLE BEND	50	500	2,649	3300101	3,311	3300077	4,415	3300131
50 UK 600 FLEXIBLE BEND	50	600	3,598	3300102	4,498	3300078	5,997	3300132
60 UK 100 FLEXIBLE BEND	60	100	0,374	3300103	0,467	3134588	0,623	3300133
60 UK 150 FLEXIBLE BEND	60	150	0,527	3358626	0,659	3358616	0,879	3358636
60 UK 200 FLEXIBLE BEND	60	200	0,749	3300104	0,936	3134590	1,248	3300134
60 UK 250 FLEXIBLE BEND	60	250	0,979	3358627	1,224	3358617	1,632	3358637
60 UK 300 FLEXIBLE BEND	60	300	1,241	3300105	1,551	3134591	2,068	3300135
60 UK 400 FLEXIBLE BEND	60	400	1,950	3300106	2,438	3134592	3,251	3300136
60 UK 500 FLEXIBLE BEND	60	500	2,770	3300107	3,462	3134593	4,616	3300137
60 UK 600 FLEXIBLE BEND	60	600	3,737	3300108	4,671	3134594	6,228	3300138
75 UK 100 FLEXIBLE BEND	75	100	0,431	3300109	0,539	3300079	0,719	3300139
75 UK 150 FLEXIBLE BEND	75	150	0,592	3358628	0,740	3358618	0,987	3358638
75 UK 200 FLEXIBLE BEND	75	200	0,822	3300110	1,028	3300080	1,371	3300140
75 UK 250 FLEXIBLE BEND	75	250	1,057	3358629	1,321	3358619	1,761	3358639
75 UK 300 FLEXIBLE BEND	75	300	1,328	3300111	1,66	3300081	2,213	3300141
75 UK 400 FLEXIBLE BEND	75	400	2,062	3300112	2,578	3300082	3,437	3300142
75 UK 500 FLEXIBLE BEND	75	500	2,897	3300113	3,621	3300083	4,828	3300143
75 UK 600 FLEXIBLE BEND	75	600	3,880	3300114	4,85	3300084	6,467	3300144
100 UK 100 FLEXIBLE BEND	100	100	0,538	3300115	0,673	3300085	0,897	3300145
100 UK 150 FLEXIBLE BEND	100	150	0,718	3358630	0,897	3358620	1,196	3358640
100 UK 200 FLEXIBLE BEND	100	200	0,963	3300116	1,204	3300086	1,605	3300146
100 UK 250 FLEXIBLE BEND	100	250	1,210	3358631	1,513	3358621	2,017	3358641
100 UK 300 FLEXIBLE BEND	100	300	1,492	3300117	1,865	3300087	2,487	3300147
100 UK 400 FLEXIBLE BEND	100	400	2,277	3300118	2,846	3300088	3,795	3300148
100 UK 500 FLEXIBLE BEND	100	500	3,145	3300119	3,931	3300089	5,241	3300149
100 UK 600 FLEXIBLE BEND	100	600	4,162	3300120	5,202	3300090	6,936	3300150



\* M6x12 bolt set should be used with the product.



■ Please contact your representative for inquiries regarding stainless steel alternatives.

■ Please indicate order code in your orders.

■ Please contact us for special dimensions.

■ Material weights may vary by ± 10%

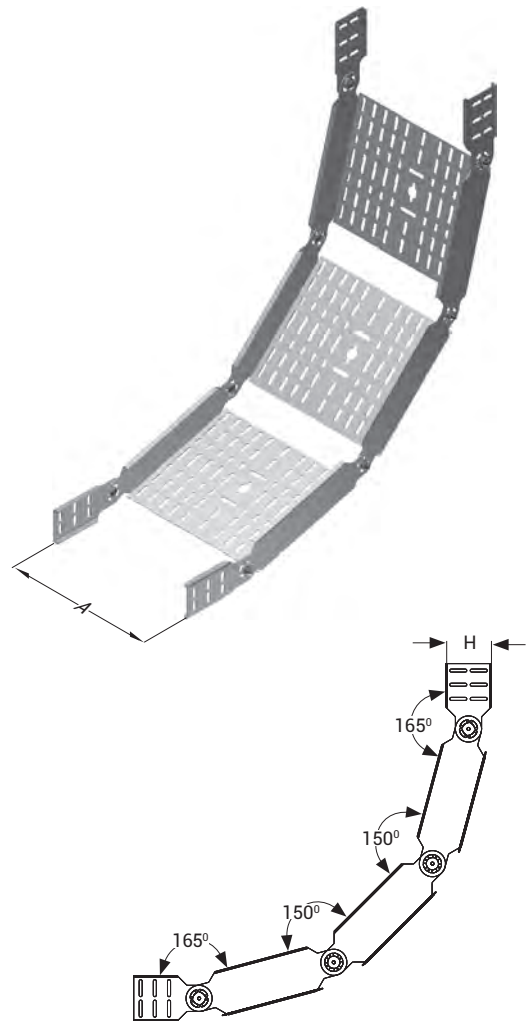
■ All dimensions are given as in mm

■ PG= Pre-Galvanized

■ HDG= Hot Dip Galvanized



Description	H (mm)	A (mm)	T=1,2		T=1,5		T=2	
			Weight (kg/pcs)	PG Code	Weight (kg/pcs)	PG Code	Weight (kg/pcs)	PG Code
040 UKE 050 SDM	40	50	1,312	3008454	1,640	3300236	2,186	3300291
040 UKE 100 SDM	40	100	1,543	3008453	1,928	3300237	2,571	3300292
040 UKE 150 SDM	40	150	1,774	3008452	2,218	3300238	2,957	3300293
040 UKE 200 SDM	40	200	2,006	3008451	2,507	3300239	3,343	3300294
040 UKE 250 SDM	40	250	2,237	3008450	2,797	3300240	3,729	3300295
040 UKE 300 SDM	40	300	2,469	3008449	3,086	3300241	4,115	3300296
040 UKE 400 SDM	40	400	2,932	3008448	3,665	3300242	4,887	3300297
040 UKE 500 SDM	40	500	3,395	3008447	4,244	3300243	5,659	3300298
040 UKE 600 SDM	40	600	3,859	3001764	4,823	3300244	6,431	3300299
050 UKE 050 SDM	50	50	1,460	3300211	1,826	3300245	2,434	3300300
050 UKE 100 SDM	50	100	1,692	3300212	2,115	3300246	2,820	3300301
050 UKE 150 SDM	50	150	1,923	3300213	2,405	3300247	3,206	3300302
050 UKE 200 SDM	50	200	2,155	3300214	2,694	3300248	3,592	3300303
050 UKE 250 SDM	50	250	2,386	3300215	2,984	3300249	3,978	3300304
050 UKE 300 SDM	50	300	2,618	3300216	3,273	3300250	4,364	3300305
050 UKE 400 SDM	50	400	3,031	3300217	3,852	3300251	5,136	3300306
050 UKE 500 SDM	50	500	3,544	3300218	4,430	3300252	5,907	3300307
050 UKE 600 SDM	50	600	4,007	3300219	5,009	3300253	6,679	3300308
060 UKE 050 SDM	60	50	1,603	3005831	2,004	3359093	2,672	3359094
060 UKE 100 SDM	60	100	1,893	3008185	2,366	3300254	3,155	3300309
060 UKE 150 SDM	60	150	2,125	3008176	2,656	3300255	3,541	3300310
060 UKE 200 SDM	60	200	2,356	3008446	2,945	3300256	3,927	3300311
060 UKE 250 SDM	60	250	2,588	3008445	3,235	3300257	4,313	3300312
060 UKE 300 SDM	60	300	2,819	3008444	3,524	3300258	4,699	3300313
060 UKE 400 SDM	60	400	3,283	3008443	4,103	3300259	5,471	3300314
060 UKE 500 SDM	60	500	3,745	3008442	4,682	3300260	6,242	3300315
060 UKE 600 SDM	60	600	4,208	3001765	5,261	3300261	7,014	3300316
075 UKE 100 SDM	75	100	1,975	3300220	2,470	3300262	3,293	3300317
075 UKE 150 SDM	75	150	2,130	3300221	2,663	3300263	3,551	3300318
075 UKE 200 SDM	75	200	2,285	3300222	2,857	3300264	3,809	3300319
075 UKE 250 SDM	75	250	2,439	3300223	3,050	3300265	4,066	3300320
075 UKE 300 SDM	75	300	2,594	3300224	3,243	3300266	4,324	3300321
075 UKE 400 SDM	75	400	2,903	3300225	3,629	3300267	4,839	3300322
075 UKE 500 SDM	75	500	3,213	3300226	4,016	3300268	5,355	3300323
075 UKE 600 SDM	75	600	3,522	3300227	4,403	3300269	5,870	3300324
100 UKE 100 SDM	100	100	2,262	3300228	2,828	3300270	3,770	3300325
100 UKE 150 SDM	100	150	2,416	3300229	3,021	3300271	4,028	3300326
100 UKE 200 SDM	100	200	2,571	3300230	3,214	3300272	4,285	3300327
100 UKE 250 SDM	100	250	2,725	3300231	3,407	3300273	4,543	3300328
100 UKE 300 SDM	100	300	2,880	3300232	3,601	3300274	4,801	3300329
100 UKE 400 SDM	100	400	3,189	3300233	3,987	3300275	5,316	3300330
100 UKE 500 SDM	100	500	3,498	3300234	4,373	3300276	5,831	3300331
100 UKE 600 SDM	100	600	3,808	3300235	4,760	3300277	6,347	3300332



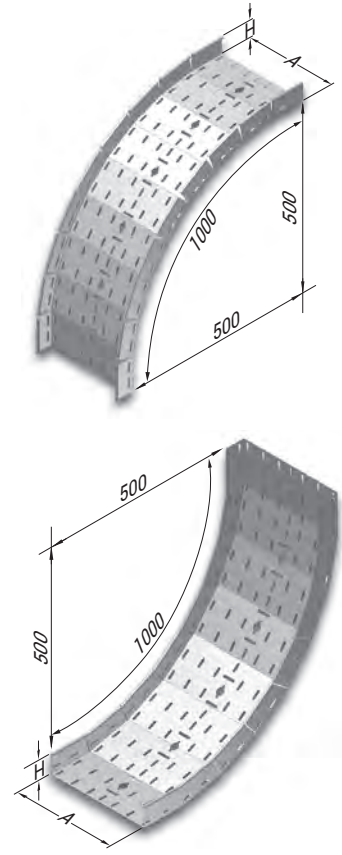
Includes:  
 1 Unit of Level Adaptation Bend,  
 16 Units of M6x12 Bolts,  
 16 Units of M6 Bolt Nuts and  
 4 Units of SDE.

- To be applied to a maximum angle of 120°.
- Please contact your representative for inquiries regarding stainless steel alternatives.
- Please indicate order code in your orders.
- Please contact us for special dimensions.
- Material weights may vary by ± 10%

■ All dimensions are given as in mm

■ PG= Pre-Galvanized  
 ■ HDG= Hot Dip Galvanized

Description	H (mm)	A (mm)	T=1		T=1,2		T=1,5		T=2	
			Weight (kg/pcs)	PG Code	Weight (kg/pcs)	PG Code	Weight (kg/pcs)	PG Code	Weight (kg/pcs)	PG Code
040 UKE 050 ADJ. CONCAVE	40	50	0,945	3004339	1,116	3300366	1,431	3300379	1,959	3300482
040 UKE 100 ADJ. CONCAVE	40	100	1,306	3004341	1,609	3300367	1,940	3300380	2,616	3300483
040 UKE 150 ADJ. CONCAVE	40	150	1,628	3004343	1,995	3300368	2,422	3300381	3,259	3300484
040 UKE 200 ADJ. CONCAVE	40	200	1,949	3300346	2,381	3004345	2,905	3300382	3,902	3300485
040 UKE 250 ADJ. CONCAVE	40	250	2,271	3300347	2,767	3004347	3,387	3300383	4,546	3300486
040 UKE 300 ADJ. CONCAVE	40	300	2,593	3300348	3,153	3300369	3,870	3004349	5,189	3300487
040 UKE 400 ADJ. CONCAVE	40	400	-	-	-	-	4,835	3004351	6,470	3300488
040 UKE 500 ADJ. CONCAVE	40	500	-	-	-	-	5,799	3004353	7,714	3300489
040 UKE 600 ADJ. CONCAVE	40	600	-	-	-	-	6,764	3004355	9,000	3300490
050 UKE 050 ADJ. CONCAVE	50	50	1,083	3300349	1,315	3300370	1,643	3300384	2,199	3300491
050 UKE 100 ADJ. CONCAVE	50	100	1,443	3300350	1,774	3300371	2,146	3300385	2,842	3300492
050 UKE 150 ADJ. CONCAVE	50	150	1,765	3300351	2,160	3300372	2,628	3300386	3,485	3300493
050 UKE 200 ADJ. CONCAVE	50	200	2,087	3300352	2,498	3300373	3,111	3300387	4,129	3300494
050 UKE 250 ADJ. CONCAVE	50	250	2,408	3300353	2,884	3300374	3,593	3300388	4,772	3300495
050 UKE 300 ADJ. CONCAVE	50	300	2,730	3300354	3,270	3300375	4,076	3300389	5,415	3300496
050 UKE 400 ADJ. CONCAVE	50	400	-	-	-	-	5,040	3300390	6,702	3300497
050 UKE 500 ADJ. CONCAVE	50	500	-	-	-	-	6,005	3300391	7,988	3300498
050 UKE 600 ADJ. CONCAVE	50	600	-	-	-	-	6,970	3300392	9,275	3300499
060 UKE 050 ADJ. CONCAVE	60	50	1,220	3359089	1,457	3359090	1,810	3359091	2,387	3359092
060 UKE 100 ADJ. CONCAVE	60	100	1,578	3004359	1,887	3300376	2,347	3300393	3,111	3300500
060 UKE 150 ADJ. CONCAVE	60	150	1,900	3004361	2,273	3300377	2,830	3300394	3,754	3300501
060 UKE 200 ADJ. CONCAVE	60	200	2,221	3300355	2,659	3004363	3,312	3300395	4,397	3300502
060 UKE 250 ADJ. CONCAVE	60	250	2,543	3300356	3,045	3004365	3,795	3300396	5,040	3300503
060 UKE 300 ADJ. CONCAVE	60	300	2,864	3300357	3,431	3300378	4,277	3004367	5,684	3300504
060 UKE 400 ADJ. CONCAVE	60	400	-	-	-	-	5,242	3004369	6,970	3300505
060 UKE 500 ADJ. CONCAVE	60	500	-	-	-	-	6,207	3004371	8,257	3300506
060 UKE 600 ADJ. CONCAVE	60	600	-	-	-	-	7,172	3004373	9,543	3300507
075 UKE 100 ADJ. CONCAVE	75	100	-	-	-	-	2,607	3300397	3,456	3300508
075 UKE 150 ADJ. CONCAVE	75	150	-	-	-	-	3,089	3300398	4,099	3300509
075 UKE 200 ADJ. CONCAVE	75	200	-	-	-	-	3,572	3300399	4,742	3300510
075 UKE 250 ADJ. CONCAVE	75	250	-	-	-	-	4,054	3300400	5,386	3300511
075 UKE 300 ADJ. CONCAVE	75	300	-	-	-	-	4,536	3300401	6,029	3300512
075 UKE 400 ADJ. CONCAVE	75	400	-	-	-	-	5,501	3300402	7,315	3300513
075 UKE 500 ADJ. CONCAVE	75	500	-	-	-	-	6,466	3300403	8,602	3300514
075 UKE 600 ADJ. CONCAVE	75	600	-	-	-	-	7,431	3300404	9,888	3300515
100 UKE 100 ADJ. CONCAVE	100	100	-	-	-	-	3,040	3300405	4,034	3300516
100 UKE 150 ADJ. CONCAVE	100	150	-	-	-	-	3,523	3300406	4,677	3300517
100 UKE 200 ADJ. CONCAVE	100	200	-	-	-	-	4,005	3300407	5,320	3300518
100 UKE 250 ADJ. CONCAVE	100	250	-	-	-	-	4,488	3300408	5,963	3300519
100 UKE 300 ADJ. CONCAVE	100	300	-	-	-	-	4,970	3300409	6,607	3300520
100 UKE 400 ADJ. CONCAVE	100	400	-	-	-	-	5,935	3300410	7,893	3300521
100 UKE 500 ADJ. CONCAVE	100	500	-	-	-	-	6,900	3300411	9,180	3300522
100 UKE 600 ADJ. CONCAVE	100	600	-	-	-	-	7,865	3300412	10,466	3300523



■ Please contact your representative for inquiries regarding stainless steel alternatives.

■ Please indicate order code in your orders.

■ Please contact us for special dimensions.

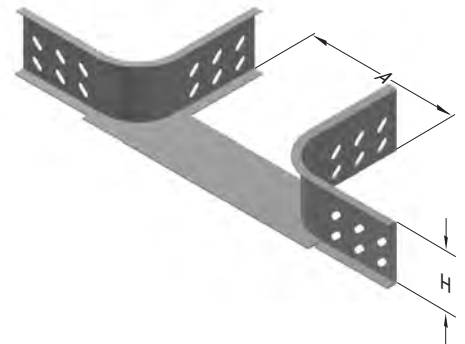
■ Material weights may vary by ± 10%

■ All dimensions are given as in mm

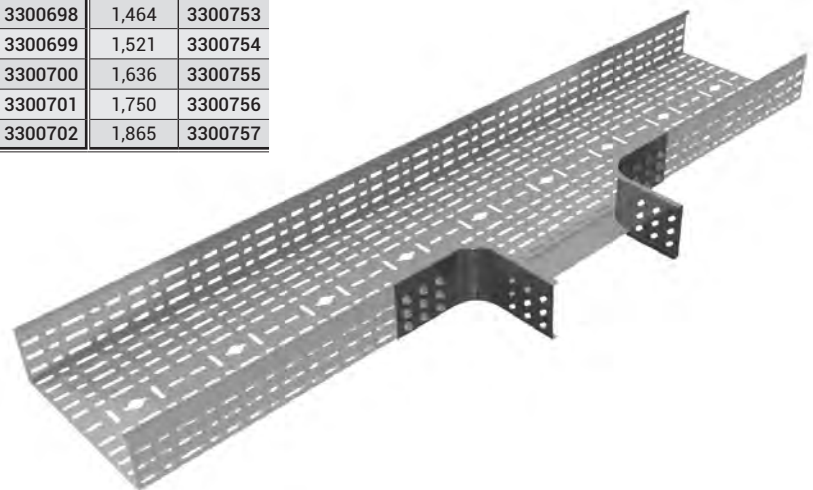
■ PG= Pre-Galvanized

■ HDG= Hot Dip Galvanized

Description	H (mm)	A (mm)	T= 1,2		T= 1,5		T= 2	
			Weight (kg/pcs)	PG Code	Weight (kg/pcs)	PG Code	Weight (kg/pcs)	PG Code
040 UKE 050 ADD-ON TEE	40	50	0,427	3086575	0,526	3300661	0,701	3300716
040 UKE 100 ADD-ON TEE	40	100	0,462	3086576	0,569	3300662	0,758	3300717
040 UKE 150 ADD-ON TEE	40	150	0,496	3086577	0,611	3300663	0,815	3300718
040 UKE 200 ADD-ON TEE	40	200	0,531	3086578	0,655	3300664	0,873	3300719
040 UKE 250 ADD-ON TEE	40	250	0,565	3086579	0,698	3300665	0,930	3300720
040 UKE 300 ADD-ON TEE	40	300	0,599	3086580	0,740	3300666	0,987	3300721
040 UKE 400 ADD-ON TEE	40	400	0,668	3086581	0,827	3300667	1,102	3300722
040 UKE 500 ADD-ON TEE	40	500	0,736	3086582	0,912	3300668	1,216	3300723
040 UKE 600 ADD-ON TEE	40	600	0,805	3086583	0,998	3300669	1,331	3300724
050 UKE 050 ADD-ON TEE	50	50	0,485	3300636	0,598	3300670	0,797	3300725
050 UKE 100 ADD-ON TEE	50	100	0,52	3300637	0,641	3300671	0,854	3300726
050 UKE 150 ADD-ON TEE	50	150	0,554	3300638	0,683	3300672	0,911	3300727
050 UKE 200 ADD-ON TEE	50	200	0,589	3300639	0,727	3300673	0,969	3300728
050 UKE 250 ADD-ON TEE	50	250	0,623	3300640	0,770	3300674	1,026	3300729
050 UKE 300 ADD-ON TEE	50	300	0,657	3300641	0,812	3300675	1,083	3300730
050 UKE 400 ADD-ON TEE	50	400	0,726	3300642	0,899	3300676	1,198	3300731
050 UKE 500 ADD-ON TEE	50	500	0,794	3300643	0,984	3300677	1,312	3300732
050 UKE 600 ADD-ON TEE	50	600	0,863	3300644	1,070	3300678	1,427	3300733
060 UKE 050 ADD-ON TEE	60	50	0,524	3359059	0,655	3359060	0,873	3359061
060 UKE 100 ADD-ON TEE	60	100	0,612	3086585	0,713	3300679	0,950	3300734
060 UKE 150 ADD-ON TEE	60	150	0,647	3086586	0,755	3300680	1,007	3300735
060 UKE 200 ADD-ON TEE	60	200	0,681	3086587	0,799	3300681	1,065	3300736
060 UKE 250 ADD-ON TEE	60	250	0,715	3086588	0,842	3300682	1,122	3300737
060 UKE 300 ADD-ON TEE	60	300	0,784	3086589	0,884	3300683	1,179	3300738
060 UKE 400 ADD-ON TEE	60	400	0,852	3086590	0,971	3300684	1,294	3300739
060 UKE 500 ADD-ON TEE	60	500	0,921	3086591	1,056	3300685	1,408	3300740
060 UKE 600 ADD-ON TEE	60	600	0,977	3086592	1,142	3300686	1,523	3300741
075 UKE 100 ADD-ON TEE	75	100	0,652	3300645	0,806	3300687	1,074	3300742
075 UKE 150 ADD-ON TEE	75	150	0,686	3300646	0,848	3300688	1,131	3300743
075 UKE 200 ADD-ON TEE	75	200	0,721	3300647	0,892	3300689	1,189	3300744
075 UKE 250 ADD-ON TEE	75	250	0,755	3300648	0,935	3300690	1,246	3300745
075 UKE 300 ADD-ON TEE	75	300	0,789	3300649	0,977	3300691	1,303	3300746
075 UKE 400 ADD-ON TEE	75	400	0,858	3300650	1,064	3300692	1,418	3300747
075 UKE 500 ADD-ON TEE	75	500	0,926	3300651	1,149	3300693	1,532	3300748
075 UKE 600 ADD-ON TEE	75	600	0,995	3300652	1,235	3300694	1,647	3300749
100 UKE 100 ADD-ON TEE	100	100	0,784	3300653	0,969	3300695	1,292	3300750
100 UKE 150 ADD-ON TEE	100	150	0,818	3300654	1,012	3300696	1,349	3300751
100 UKE 200 ADD-ON TEE	100	200	0,853	3300655	1,055	3300697	1,407	3300752
100 UKE 250 ADD-ON TEE	100	250	0,887	3300656	1,098	3300698	1,464	3300753
100 UKE 300 ADD-ON TEE	100	300	0,921	3300657	1,141	3300699	1,521	3300754
100 UKE 400 ADD-ON TEE	100	400	0,990	3300658	1,227	3300700	1,636	3300755
100 UKE 500 ADD-ON TEE	100	500	1,058	3300659	1,313	3300701	1,750	3300756
100 UKE 600 ADD-ON TEE	100	600	1,127	3300660	1,399	3300702	1,865	3300757



UK

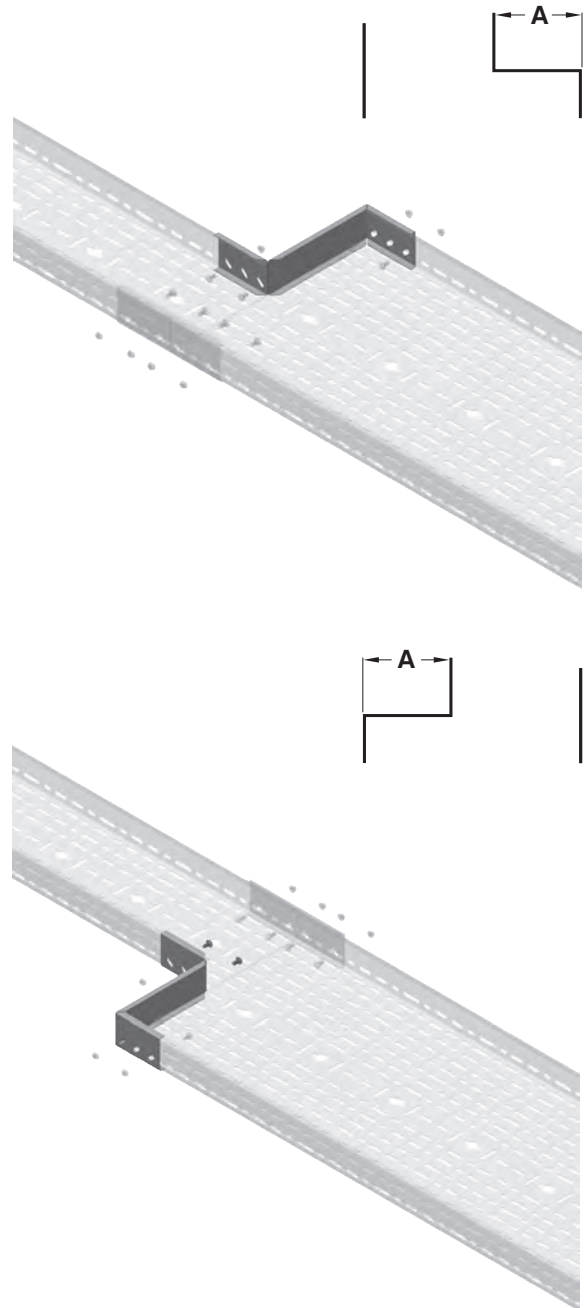


- Please contact your representative for inquiries regarding stainless steel alternatives.
- Please indicate order code in your orders.
- Please contact us for special dimensions.
- Material weights may vary by ± 10%

■ All dimensions are given as in mm

- PG= Pre-Galvanized
- HDG= Hot Dip Galvanized

Description	H (mm)	A (mm)	T=1,2		T=2	
			Weight (kg/pcs)	PG Code	Weight (kg/pcs)	PG Code
040 UKE 025-RD1 REDUCTION	40	25	0,134	3002329	0,213	3300543
040 UKE 050-RD1 REDUCTION	40	50	0,148	3002330	0,240	3300544
040 UKE 100-RD1 REDUCTION	40	100	0,176	3002331	0,290	3300545
040 UKE 150-RD1 REDUCTION	40	150	0,205	3002332	0,340	3300546
040 UKE 200-RD1 REDUCTION	40	200	0,233	3002333	0,390	3300547
040 UKE 250-RD1 REDUCTION	40	250	0,262	3002334	0,440	3300548
040 UKE 300-RD1 REDUCTION	40	300	0,290	3002335	0,490	3300549
050 UKE 025-RD1 REDUCTION	50	25	0,150	3300524	0,250	3300550
050 UKE 050-RD1 REDUCTION	50	50	0,168	3300525	0,280	3300551
050 UKE 100-RD1 REDUCTION	50	100	0,203	3300526	0,338	3300552
050 UKE 150-RD1 REDUCTION	50	150	0,237	3300527	0,395	3300553
050 UKE 200-RD1 REDUCTION	50	200	0,272	3300528	0,453	3300554
050 UKE 250-RD1 REDUCTION	50	250	0,307	3300529	0,512	3300555
050 UKE 300-RD1 REDUCTION	50	300	0,342	3300530	0,570	3300556
060 UKE 025-RD1 REDUCTION	60	25	0,178	3002336	0,287	3300557
060 UKE 050-RD1 REDUCTION	60	50	0,197	3002337	0,320	3300558
060 UKE 100-RD1 REDUCTION	60	100	0,235	3002338	0,385	3300559
060 UKE 150-RD1 REDUCTION	60	150	0,273	3002339	0,452	3300560
060 UKE 200-RD1 REDUCTION	60	200	0,311	3002340	0,517	3300561
060 UKE 250-RD1 REDUCTION	60	250	0,349	3002341	0,583	3300562
060 UKE 300-RD1 REDUCTION	60	300	0,387	3002342	0,650	3300563
075 UKE 050-RD1 REDUCTION	75	75	0,220	3300531	0,367	3300564
075 UKE 100-RD1 REDUCTION	75	100	0,266	3300532	0,443	3300565
075 UKE 150-RD1 REDUCTION	75	150	0,313	3300533	0,522	3300566
075 UKE 200-RD1 REDUCTION	75	200	0,359	3300534	0,598	3300567
075 UKE 250-RD1 REDUCTION	75	250	0,405	3300535	0,675	3300568
075 UKE 300-RD1 REDUCTION	75	300	0,451	3300536	0,752	3300569
100 UKE 050-RD1 REDUCTION	100	50	0,275	3300537	0,458	3253039
100 UKE 100-RD1 REDUCTION	100	100	0,333	3300538	0,555	3253040
100 UKE 150-RD1 REDUCTION	100	150	0,391	3300539	0,652	3253043
100 UKE 200-RD1 REDUCTION	100	200	0,449	3300540	0,748	3253045
100 UKE 250-RD1 REDUCTION	100	250	0,507	3300541	0,845	3253048
100 UKE 300-RD1 REDUCTION	100	300	0,565	3300542	0,942	3253049

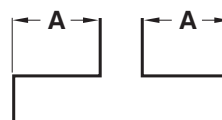
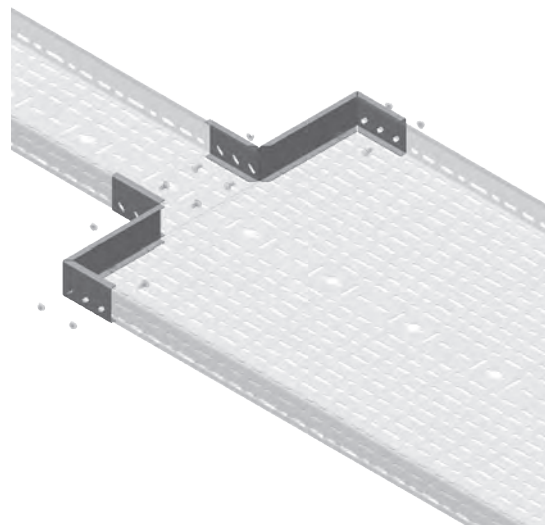


- Please contact your representative for inquiries regarding stainless steel alternatives.
- Please indicate order code in your orders.
- Please contact us for special dimensions.
- Material weights may vary by ± 10%

■ All dimensions are given as in mm

- PG= Pre-Galvanized
- HDG= Hot Dip Galvanized

Description	H (mm)	A (mm)	T=1,2		T=2	
			Weight (kg/pcs)	PG Code	Weight (kg/pcs)	PG Code
040 UKE 025-RD1 MIDDLE REDUCTION	40	25	0,267	3008462	0,427	3300603
040 UKE 050-RD1 MIDDLE REDUCTION	40	50	0,296	3008461	0,480	3300604
040 UKE 100-RD1 MIDDLE REDUCTION	40	100	0,353	3008460	0,580	3300605
040 UKE 150-RD1 MIDDLE REDUCTION	40	150	0,410	3008118	0,680	3300606
040 UKE 200-RD1 MIDDLE REDUCTION	40	200	0,466	3008119	0,780	3300607
040 UKE 250-RD1 MIDDLE REDUCTION	40	250	0,523	3008111	0,880	3300608
040 UKE 300-RD1 MIDDLE REDUCTION	40	300	0,580	3008105	0,980	3300609
050 UKE 025-RD1 MIDDLE REDUCTION	50	25	0,300	3300577	0,500	3300610
050 UKE 050-RD1 MIDDLE REDUCTION	50	50	0,336	3300578	0,560	3300611
050 UKE 100-RD1 MIDDLE REDUCTION	50	100	0,406	3300579	0,677	3300612
050 UKE 150-RD1 MIDDLE REDUCTION	50	150	0,474	3300580	0,790	3300613
050 UKE 200-RD1 MIDDLE REDUCTION	50	200	0,544	3300581	0,907	3300614
050 UKE 250-RD1 MIDDLE REDUCTION	50	250	0,614	3300582	1,023	3300615
050 UKE 300-RD1 MIDDLE REDUCTION	50	300	0,684	3300583	1,140	3300616
060 UKE 025-RD1 MIDDLE REDUCTION	60	25	0,356	3008459	0,573	3300617
060 UKE 050-RD1 MIDDLE REDUCTION	60	50	0,394	3008458	0,640	3300618
060 UKE 100-RD1 MIDDLE REDUCTION	60	100	0,470	3008457	0,770	3300619
060 UKE 150-RD1 MIDDLE REDUCTION	60	150	0,546	3008110	0,903	3300620
060 UKE 200-RD1 MIDDLE REDUCTION	60	200	0,622	3008103	1,033	3300621
060 UKE 250-RD1 MIDDLE REDUCTION	60	250	0,698	3008104	1,167	3300622
060 UKE 300-RD1 MIDDLE REDUCTION	60	300	0,774	3008106	1,300	3300623
075 UKE 075-RD1 MIDDLE REDUCTION	75	75	0,440	3300591	0,733	3300624
075 UKE 100-RD1 MIDDLE REDUCTION	75	100	0,532	3300592	0,887	3300625
075 UKE 150-RD1 MIDDLE REDUCTION	75	150	0,626	3300593	1,043	3300626
075 UKE 200-RD1 MIDDLE REDUCTION	75	200	0,718	3300594	1,197	3300627
075 UKE 250-RD1 MIDDLE REDUCTION	75	250	0,810	3300595	1,350	3300628
075 UKE 300-RD1 MIDDLE REDUCTION	75	300	0,902	3300596	1,503	3300629
100 UKE 050-RD1 MIDDLE REDUCTION	100	50	0,550	3300597	0,917	3300630
100 UKE 100-RD1 MIDDLE REDUCTION	100	100	0,666	3300598	1,110	3300631
100 UKE 150-RD1 MIDDLE REDUCTION	100	150	0,782	3300599	1,303	3300632
100 UKE 200-RD1 MIDDLE REDUCTION	100	200	0,898	3300600	1,497	3300633
100 UKE 250-RD1 MIDDLE REDUCTION	100	250	1,014	3300601	1,690	3300634
100 UKE 300-RD1 MIDDLE REDUCTION	100	300	1,130	3300602	1,883	3300635



UK

■ Please contact your representative for inquiries regarding stainless steel alternatives.

■ Please indicate order code in your orders.

■ Please contact us for special dimensions.

■ Material weights may vary by ± 10%

■ All dimensions are given as in mm

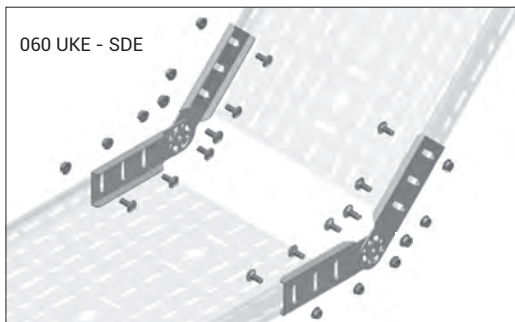
■ PG= Pre-Galvanized

■ HDG= Hot Dip Galvanized

## ►► UKE LEVEL ADAPTATION JOINT SET

Pre-Galvanized (TS EN 10346 - TS EN 10143)

Description	H (mm)	Pack (pcs)	T=1,2		T=1,5		T=2	
			Weight (kg/pcs)	PG Code	Weight (kg/pcs)	PG Code	Weight (kg/pcs)	PG Code
040 SDE PRG	40	10	0,316	3008375	0,384	3300935	0,500	3300940
050 SDE PRG	50	10	0,364	3300932	0,444	3300936	0,580	3300941
060 SDE PRG (1,2)	60	10	0,392	3008374	0,480	3300937	0,628	3300942
075 SDE PRG (1,2)	75	10	0,500	3300933	0,620	3300938	0,812	3300943
100 SDE PRG (1,2)	100	10	0,596	3241742	0,736	3300939	0,968	3300944



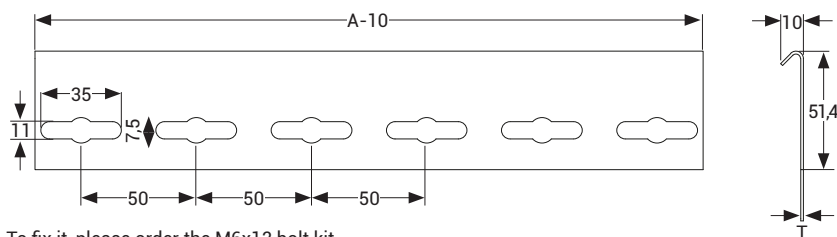
Level Adaptation Joint Set

Includes: 4 Units of Level Adaptation Joint,  
4 Units of M6x12 Bolts, 4 Units of M6 Bolt Nuts.

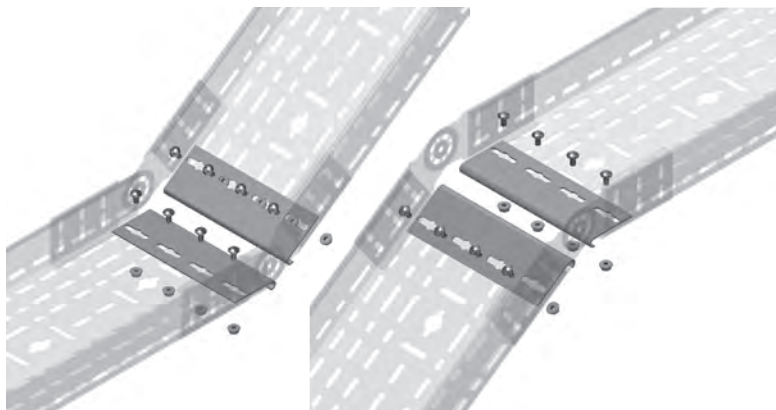
## ► UK SDE Bend Protection Plate

Pre-Galvanized (TS EN 10346 - TS EN 10143)

Description	A (mm)	T=1	
		Weight (kg/pcs)	PG Code
UK SDE ELBOW PROTECTION PLATE 100	100	0,054	3135707
UK SDE ELBOW PROTECTION PLATE 150	150	0,083	3135708
UK SDE ELBOW PROTECTION PLATE 200	200	0,114	3135709
UK SDE ELBOW PROTECTION PLATE 250	250	0,142	3135710
UK SDE ELBOW PROTECTION PLATE 300	300	0,173	3135711
UK SDE ELBOW PROTECTION PLATE 400	400	0,233	3135712
UK SDE ELBOW PROTECTION PLATE 500	500	0,292	3135713
UK SDE ELBOW PROTECTION PLATE 600	600	0,352	3135714



To fix it, please order the M6x12 bolt kit.



■ Please contact your representative for inquiries regarding stainless steel alternatives.

■ Please indicate order code in your orders.

■ Please contact us for special dimensions.

■ Material weights may vary by  $\pm 10\%$

■ All dimensions are given as in mm

■ PG= Pre-Galvanized

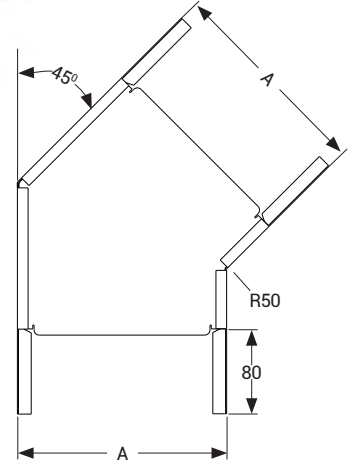
■ HDG= Hot Dip Galvanized

## ►► BENDS

### ► UKFG YD 45° Horizontal Degree Bend Pre-Galvanized (TS EN 10346 - TS EN 10143)

Description	H (mm)	A (mm)	T (mm)	Weight (kg/pcs)	PG Code
040 UKFG 100 YD45°	40	100	1,2	0,366	3102947
040 UKFG 200 YD45°	40	200	1,2	0,627	3102948
040 UKFG 300 YD45°	40	300	1,2	0,961	3102949
050 UKFG 100 YD45°	50	100	1,2	0,404	3102950
050 UKFG 200 YD45°	50	200	1,2	0,671	3102951
050 UKFG 300 YD45°	50	300	1,2	1,011	3102952
050 UKFG 400 YD45°	50	400	1,2	1,427	3102953
050 UKFG 500 YD45°	50	500	1,2	1,915	3102954
050 UKFG 600 YD45°	50	600	1,2	2,478	3102955
060 UKFG 100 YD45°	60	100	1,2	0,440	3102956
060 UKFG 200 YD45°	60	200	1,2	0,714	3102957
060 UKFG 300 YD45°	60	300	1,2	1,060	3102958
060 UKFG 400 YD45°	60	400	1,2	1,482	3102959
060 UKFG 500 YD45°	60	500	1,2	1,976	3102960
060 UKFG 600 YD45°	60	600	1,2	2,545	3102961

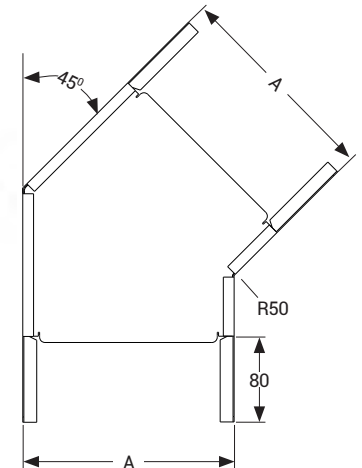
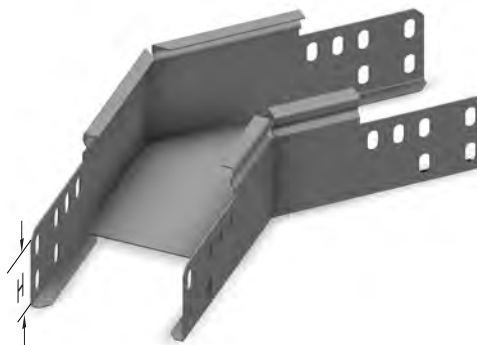
Description	A (mm)	T (mm)	Weight (kg/pcs)	PG Code
UKFG 100 YD COVER 45°	100	1,2	0,165	3103028
UKFG 200 YD COVER 45°	200	1,2	0,385	3103029
UKFG 300 YD COVER 45°	300	1,2	0,679	3103030
UKFG 400 YD COVER 45°	400	1,2	1,046	3103031
UKFG 500 YD COVER 45°	500	1,2	1,488	3103032
UKFG 600 YD COVER 45°	600	1,2	2,004	3103033



### ► UKFG YD 45° Horizontal Degree Bend With Snap-on Cover Pre-Galvanized (TS EN 10346 - TS EN 10143)

Description	H (mm)	A (mm)	T (mm)	Weight (kg/pcs)	PG Code
075 UKFG 100 YD45°	75	100	1	0,483	3293305
075 UKFG 200 YD45°	75	200	1	0,728	3293307
075 UKFG 300 YD45°	75	300	1	1,037	3293309
075 UKFG 400 YD45°	75	400	1	1,412	3293310
075 UKFG 500 YD45°	75	500	1	1,852	3293311
075 UKFG 600 YD45°	75	600	1	2,357	3293312
100 UKFG 100 YD45°	100	100	1	0,602	3300049
100 UKFG 200 YD45°	100	200	1	0,862	3300051
100 UKFG 300 YD45°	100	300	1	1,187	3300053
100 UKFG 400 YD45°	100	400	1	1,577	3300054
100 UKFG 500 YD45°	100	500	1	2,032	3300055
100 UKFG 600 YD45°	100	600	1	2,552	3300056

Description	A (mm)	T (mm)	Weight (kg/pcs)	PG Code
UKFG 100 YD COVER 45°	100	1	0,167	3300065
UKFG 200 YD COVER 45°	200	1	0,366	3300067
UKFG 300 YD COVER 45°	300	1	0,630	3300069
UKFG 400 YD COVER 45°	400	1	0,959	3300070
UKFG 500 YD COVER 45°	500	1	1,354	3300071
UKFG 600 YD COVER 45°	600	1	1,813	3300072



Note: No need for cover clamp thanks to Snap-on cover.

- Please indicate order code in your orders.
- Please contact us for special dimensions.
- Material weights may vary by ± 10%

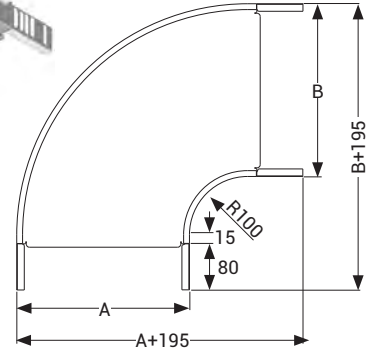
■ All dimensions are given as in mm

- PG= Pre-Galvanized
- HDG= Hot Dip Galvanized

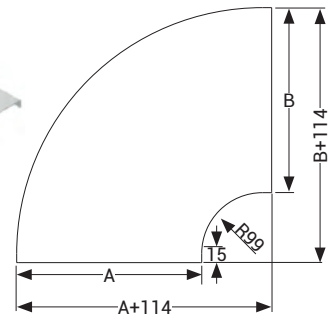
## ►► BENDS

### ► UKFG Horizontal Degree Bend (90°) Pre-Galvanized (TS EN 10346 - TS EN 10143)

Description	H (mm)	AB (mm)	T (mm)	Weight (kg/pcs)	PG Code
040 UKFG 100 YD90°	40	100	1,2	0,584	3102932
040 UKFG 200 YD90°	40	200	1,2	1,065	3102933
040 UKFG 300 YD90°	40	300	1,2	1,694	3102934
050 UKFG 100 YD90°	50	100	1,2	0,640	3102935
050 UKFG 200 YD90°	50	200	1,2	1,133	3102936
050 UKFG 300 YD90°	50	300	1,2	1,775	3102937
050 UKFG 400 YD90°	50	400	1,2	2,564	3102938
050 UKFG 500 YD90°	50	500	1,2	3,501	3102939
050 UKFG 600 YD90°	50	600	1,2	4,586	3102940
060 UKFG 100 YD90°	60	100	1,2	0,695	3102941
060 UKFG 200 YD90°	60	200	1,2	1,200	3102942
060 UKFG 300 YD90°	60	300	1,2	1,854	3102943
060 UKFG 400 YD90°	60	400	1,2	2,656	3102944
060 UKFG 500 YD90°	60	500	1,2	3,605	3102945
060 UKFG 600 YD90°	60	600	1,2	4,703	3102946

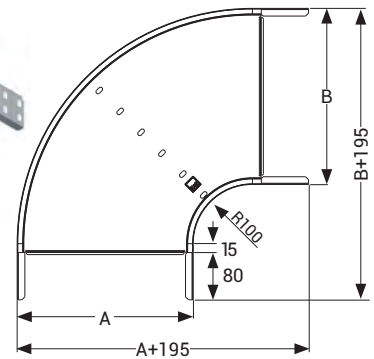


Description	AB (mm)	T (mm)	Weight (kg/pcs)	PG Code
UKFG 100 YD COVER (90°)	100	1,2	0,297	3103034
UKFG 200 YD COVER (90°)	200	1,2	0,703	3103035
UKFG 300 YD COVER (90°)	300	1,2	1,267	3103036
UKFG 400 YD COVER (90°)	400	1,2	1,974	3103037
UKFG 500 YD COVER (90°)	500	1,2	3,058	3103038
UKFG 600 YD COVER (90°)	600	1,2	4,336	3103039

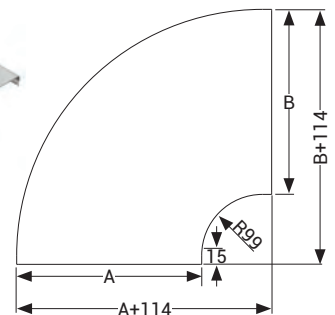


### ► UKFG Horizontal Degree Bend (90°) With Snap-on Cover Pre-Galvanized (TS EN 10346 - TS EN 10143)

Description	H (mm)	AB (mm)	T (mm)	Weight (kg/pcs)	PG Code
075 UKFG 100 YD90°	75	100	1	0,742	3254396
075 UKFG 200 YD90°	75	200	1	1,195	3254397
075 UKFG 300 YD90°	75	300	1	1,855	3254398
075 UKFG 400 YD90°	75	400	1	2,470	3254399
075 UKFG 500 YD90°	75	500	1	3,292	3254400
075 UKFG 600 YD90°	75	600	1	4,238	3254401
100 UKFG 100 YD90°	100	100	1	0,914	3254402
100 UKFG 200 YD90°	100	200	1	1,397	3254403
100 UKFG 300 YD90°	100	300	1	2,088	3254404
100 UKFG 400 YD90°	100	400	1	2,734	3254405
100 UKFG 500 YD90°	100	500	1	3,586	3254406
100 UKFG 600 YD90°	100	600	1	4,563	3254407



Description	AB (mm)	T (mm)	Weight (kg/pcs)	PG Code
UKFG 100 YD COVER (90°)	100	1	0,261	3254474
UKFG 200 YD COVER (90°)	200	1	0,608	3254475
UKFG 300 YD COVER (90°)	300	1	1,078	3254476
UKFG 400 YD COVER (90°)	400	1	1,671	3254477
UKFG 500 YD COVER (90°)	500	1	2,388	3254478
UKFG 600 YD COVER (90°)	600	1	3,228	3254479



Note: No need for cover clamp thanks to Snap-on cover.

- Please indicate order code in your orders.
- Please contact us for special dimensions.
- Material weights may vary by ± 10%

■ All dimensions are given as in mm

- PG= Pre-Galvanized
- HDG= Hot Dip Galvanized

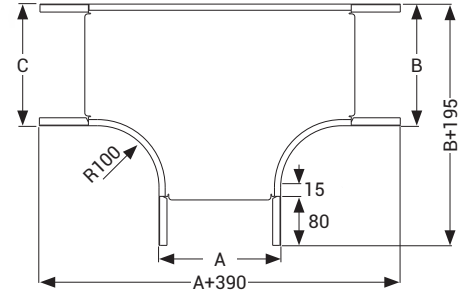
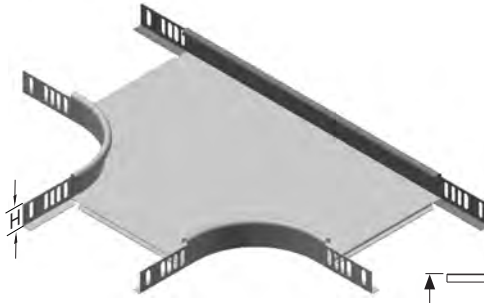


## ►► BENDS

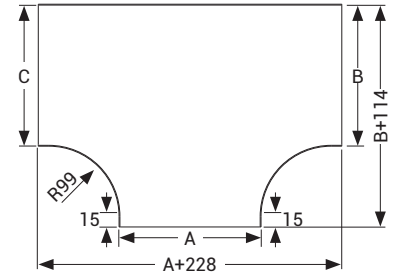
### ► UKFG YT Tee Bend

Pre-Galvanized (TS EN 10346 - TS EN 10143)

Description	H (mm)	ABC (mm)	T (mm)	Weight (kg/pcs)	PG Code
040 UKFG 100 YT	40	100	1,2	0,927	3102962
040 UKFG 200 YT	40	200	1,2	1,604	3102963
040 UKFG 300 YT	40	300	1,2	2,466	3102964
050 UKFG 100 YT	50	100	1,2	1,004	3102965
050 UKFG 200 YT	50	200	1,2	1,689	3102966
050 UKFG 300 YT	50	300	1,2	2,558	3102967
050 UKFG 400 YT	50	400	1,2	3,615	3102968
050 UKFG 500 YT	50	500	1,2	4,859	3102969
050 UKFG 600 YT	50	600	1,2	6,293	3102970
060 UKFG 100 YT	60	100	1,2	1,082	3102971
060 UKFG 200 YT	60	200	1,2	1,775	3102972
060 UKFG 300 YT	60	300	1,2	2,653	3102973
060 UKFG 400 YT	60	400	1,2	3,717	3102974
060 UKFG 500 YT	60	500	1,2	4,969	3102975
060 UKFG 600 YT	60	600	1,2	6,411	3102976



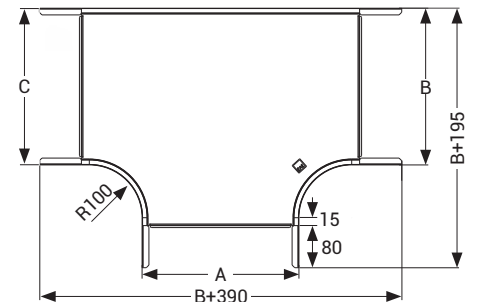
Description	ABC (mm)	T (mm)	Weight (kg/pcs)	PG Code
UKFG 100 YT COVER	100	1,2	0,523	3103040
UKFG 200 YT COVER	200	1,2	1,138	3103041
UKFG 300 YT COVER	300	1,2	1,942	3103042
UKFG 400 YT COVER	400	1,2	2,934	3103043
UKFG 500 YT COVER	500	1,2	4,115	3103044
UKFG 600 YT COVER	600	1,2	5,484	3103045



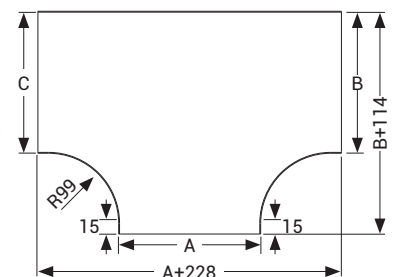
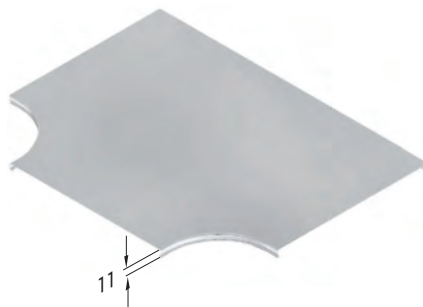
### ► UKFG YT Tee Bend With Snap-on Cover

Pre-Galvanized (TS EN 10346 - TS EN 10143)

Description	H (mm)	ABC (mm)	T (mm)	Weight (kg/pcs)	PG Code
075 UKFG 100 YT	75	100	1	1,126	3254408
075 UKFG 200 YT	75	200	1	1,717	3254409
075 UKFG 300 YT	75	300	1	2,464	3254410
075 UKFG 400 YT	75	400	1	3,368	3254411
075 UKFG 500 YT	75	500	1	4,430	3254412
075 UKFG 600 YT	75	600	1	5,648	3254413
100 UKFG 100 YT	100	100	1	1,357	3254414
100 UKFG 200 YT	100	200	1	1,968	3254415
100 UKFG 300 YT	100	300	1	2,735	3254416
100 UKFG 400 YT	100	400	1	3,658	3254417
100 UKFG 500 YT	100	500	1	4,740	3254418
100 UKFG 600 YT	100	600	1	5,978	3254419



Description	ABC (mm)	T (mm)	Weight (kg/pcs)	PG Code
UKFG 100 YT COVER	100	1	0,452	3254480
UKFG 200 YT COVER	200	1	0,967	3254481
UKFG 300 YT COVER	300	1	1,639	3254482
UKFG 400 YT COVER	400	1	2,467	3254483
UKFG 500 YT COVER	500	1	3,453	3254484
UKFG 600 YT COVER	600	1	4,596	3254485



Note: No need for cover clamp thanks to Snap-on cover.

- Please indicate order code in your orders.
- Please contact us for special dimensions.
- Material weights may vary by ± 10%

■ All dimensions are given as in mm

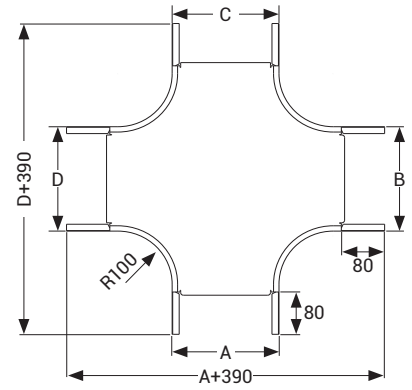
- PG= Pre-Galvanized
- HDG= Hot Dip Galvanized

## ►► BENDS

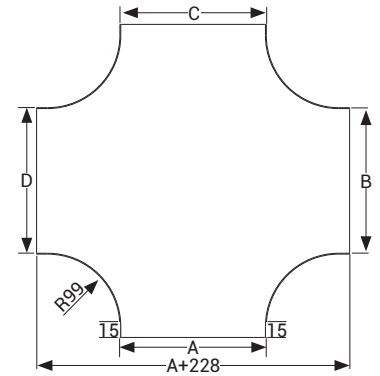
### ► UKFG AD Cross Over Bend

Pre-Galvanized (TS EN 10346 - TS EN 10143)

Description	H (mm)	ABCD (mm)	T (mm)	Weight (kg/pcs)	PG Code
040 UKFG 100 AD	40	100	1,2	1,047	3102977
040 UKFG 200 AD	40	200	1,2	1,662	3102978
040 UKFG 300 AD	40	300	1,2	2,435	3102979
050 UKFG 100 AD	50	100	1,2	1,135	3102980
050 UKFG 200 AD	50	200	1,2	1,750	3102981
050 UKFG 300 AD	50	300	1,2	2,523	3102982
050 UKFG 400 AD	50	400	1,2	3,454	3102983
050 UKFG 500 AD	50	500	1,2	4,540	3102984
050 UKFG 600 AD	50	600	1,2	5,784	3102985
060 UKFG 100 AD	60	100	1,2	1,219	3102986
060 UKFG 200 AD	60	200	1,2	1,834	3102987
060 UKFG 300 AD	60	300	1,2	2,607	3102988
060 UKFG 400 AD	60	400	1,2	3,538	3102989
060 UKFG 500 AD	60	500	1,2	4,624	3102990
060 UKFG 600 AD	60	600	1,2	5,868	3102991



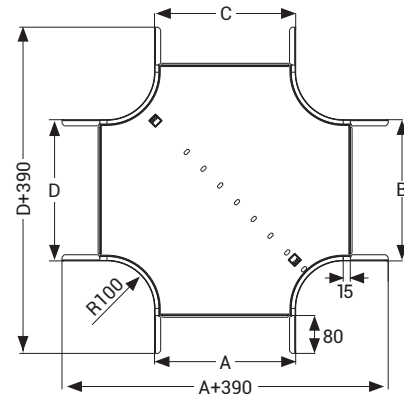
Description	ABCD (mm)	T (mm)	Weight (kg/pcs)	PG Code
UKFG 100 AD COVER	100	1,2	0,672	3103046
UKFG 200 AD COVER	200	1,2	1,385	3103047
UKFG 300 AD COVER	300	1,2	2,285	3103048
UKFG 400 AD COVER	400	1,2	3,375	3103049
UKFG 500 AD COVER	500	1,2	4,652	3103050
UKFG 600 AD COVER	600	1,2	6,118	3103051



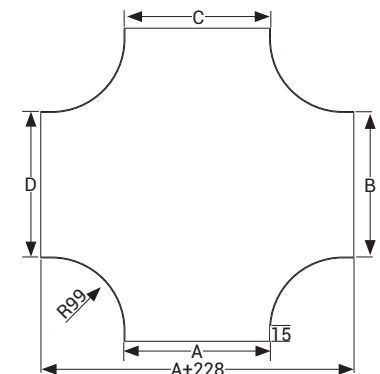
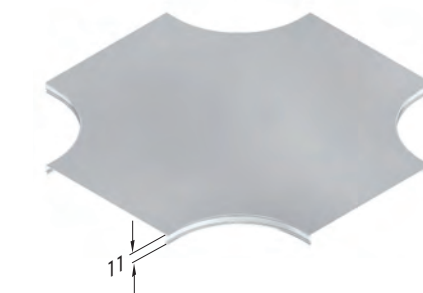
### ► UKFG AD Cross Over Bend With Snap-on Cover

Pre-Galvanized (TS EN 10346 - TS EN 10143)

Description	H (mm)	ABCD (mm)	T (mm)	Weight (kg/pcs)	PG Code
075 UKFG 100 AD	75	100	1	1,457	3254420
075 UKFG 200 AD	75	200	1	1,983	3254421
075 UKFG 300 AD	75	300	1	2,751	3254422
075 UKFG 400 AD	75	400	1	3,675	3254423
075 UKFG 500 AD	75	500	1	4,755	3254424
075 UKFG 600 AD	75	600	1	5,992	3254425
100 UKFG 100 AD	100	100	1	1,733	3254426
100 UKFG 200 AD	100	200	1	2,259	3254427
100 UKFG 300 AD	100	300	1	3,027	3254428
100 UKFG 400 AD	100	400	1	3,951	3254429
100 UKFG 500 AD	100	500	1	5,031	3254430
100 UKFG 600 AD	100	600	1	6,268	3254431



Description	ABCD (mm)	T (mm)	Weight (kg/pcs)	PG Code
UKFG 100 AD COVER	100	1	0,581	3254486
UKFG 200 AD COVER	200	1	1,175	3254487
UKFG 300 AD COVER	300	1	1,927	3254488
UKFG 400 AD COVER	400	1	2,835	3254489
UKFG 500 AD COVER	500	1	3,900	3254490
UKFG 600 AD COVER	600	1	5,122	3254491



Note: No need for cover clamp due to Snap-on cover.

- Please indicate order code in your orders.
- Please contact us for special dimensions.
- Material weights may vary by ± 10%

■ All dimensions are given as in mm

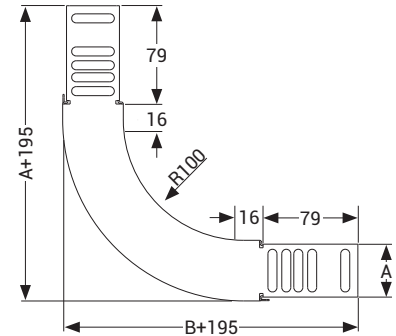
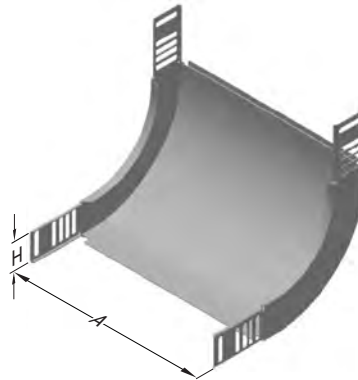
- PG= Pre-Galvanized
- HDG= Hot Dip Galvanized

## ►► BENDS

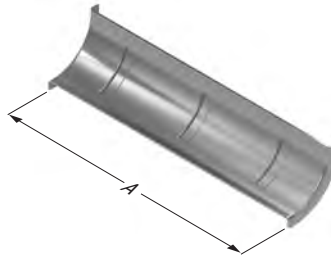
### ► UKFG ID Vertical Inside Bend (90°)

Pre-Galvanized (TS EN 10346 - TS EN 10143)

Description	H (mm)	A (mm)	T (mm)	Weight (kg/pcs)	PG Code
040 UKFG 100 ID	40	100	1,2	0,464	3102992
040 UKFG 200 ID	40	200	1,2	0,669	3102993
040 UKFG 300 ID	40	300	1,2	0,874	3102994
050 UKFG 100 ID	50	100	1,2	0,533	3102995
050 UKFG 200 ID	50	200	1,2	0,751	3102996
050 UKFG 300 ID	50	300	1,2	0,968	3102997
050 UKFG 400 ID	50	400	1,2	1,186	3102998
050 UKFG 500 ID	50	500	1,2	1,403	3102999
050 UKFG 600 ID	50	600	1,2	1,620	3103000
060 UKFG 100 ID	60	100	1,2	0,605	3103001
060 UKFG 200 ID	60	200	1,2	0,835	3103002
060 UKFG 300 ID	60	300	1,2	1,064	3103003
060 UKFG 400 ID	60	400	1,2	1,294	3103004
060 UKFG 500 ID	60	500	1,2	1,524	3103005
060 UKFG 600 ID	60	600	1,2	1,754	3103006



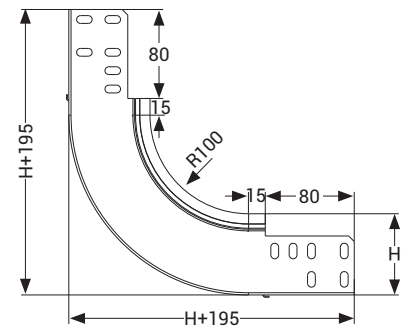
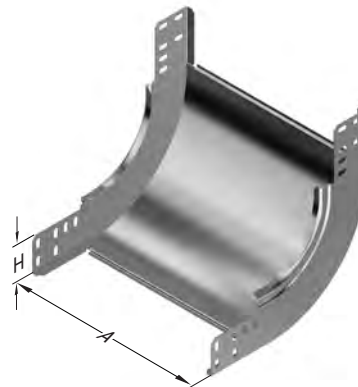
Description	A (mm)	T (mm)	Weight (kg/pcs)	PG Code
UKFG 100 ID COVER	100	1,2	0,196	3103052
UKFG 200 ID COVER	200	1,2	0,373	3103053
UKFG 300 ID COVER	300	1,2	0,546	3103054
UKFG 400 ID COVER	400	1,2	0,721	3103055
UKFG 500 ID COVER	500	1,2	0,896	3103056
UKFG 600 ID COVER	600	1,2	1,070	3103057



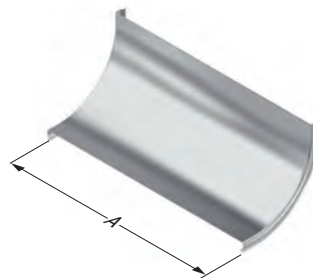
### ► UKFG ID Vertical Inside Bend With Snap-on Cover (90°)

Pre-Galvanized (TS EN 10346 - TS EN 10143)

Description	H (mm)	A (mm)	T (mm)	Weight (kg/pcs)	PG Code
075 UKFG 100 ID	75	100	1	0,628	3254432
075 UKFG 200 ID	75	200	1	0,990	3254433
075 UKFG 300 ID	75	300	1	1,351	3254434
075 UKFG 400 ID	75	400	1	1,712	3254435
075 UKFG 500 ID	75	500	1	2,074	3254436
075 UKFG 600 ID	75	600	1	2,435	3254437
100 UKFG 100 ID	100	100	1	0,751	3254438
100 UKFG 200 ID	100	200	1	1,144	3254439
100 UKFG 300 ID	100	300	1	1,536	3254440
100 UKFG 400 ID	100	400	1	1,928	3254441
100 UKFG 500 ID	100	500	1	2,320	3254442
100 UKFG 600 ID	100	600	1	2,712	3254443



Description	A (mm)	T (mm)	Weight (kg/pcs)	PG Code
UKFG 100 ID COVER	100	1	0,169	3254468
UKFG 200 ID COVER	200	1	0,302	3254469
UKFG 300 ID COVER	300	1	0,434	3254470
UKFG 400 ID COVER	400	1	0,566	3254471
UKFG 500 ID COVER	500	1	0,698	3254472
UKFG 600 ID COVER	600	1	0,830	3254473



Note: No need for cover clamp thanks to Snap-on cover.

- Please indicate order code in your orders.
- Please contact us for special dimensions.
- Material weights may vary by  $\pm 10\%$

■ All dimensions are given as in mm

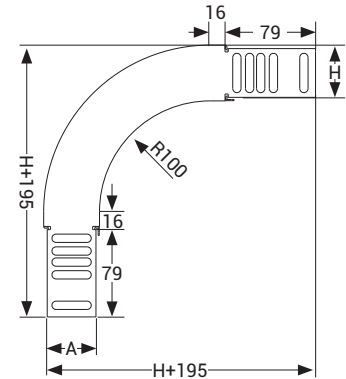
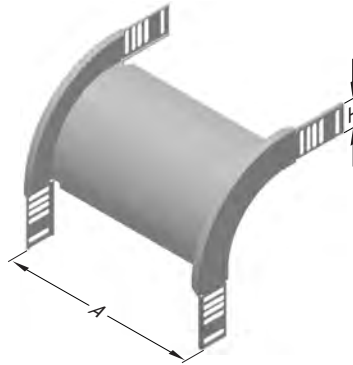
- PG= Pre-Galvanized
- HDG= Hot Dip Galvanized

## ►► BENDS

### ► UKFG DD Vertical Outside Bend (90°)

Pre-Galvanized (TS EN 10346 - TS EN 10143)

Description	H (mm)	A (mm)	T (mm)	Weight (kg/pcs)	PG Code
040 UKFG 100 DD	40	100	1,2	0,423	3103007
040 UKFG 200 DD	40	200	1,2	0,586	3103008
040 UKFG 300 DD	40	300	1,2	0,749	3103009
050 UKFG 100 DD	50	100	1,2	0,481	3103010
050 UKFG 200 DD	50	200	1,2	0,644	3103011
050 UKFG 300 DD	50	300	1,2	0,807	3103012
050 UKFG 400 DD	50	400	1,2	0,970	3103013
050 UKFG 500 DD	50	500	1,2	1,133	3103014
050 UKFG 600 DD	50	600	1,2	1,296	3103015
060 UKFG 100 DD	60	100	1,2	0,541	3103016
060 UKFG 200 DD	60	200	1,2	0,704	3103017
060 UKFG 300 DD	60	300	1,2	0,867	3103018
060 UKFG 400 DD	60	400	1,2	1,030	3103019
060 UKFG 500 DD	60	500	1,2	1,193	3103020
060 UKFG 600 DD	60	600	1,2	1,356	3103021



### ► UKFG DD Vertical Outside Bend (90°) Cover

Pre-Galvanized (TS EN 10346 - TS EN 10143)

Description	A (mm)	T (mm)	Weight (kg/pcs)	PG Code
040 UKFG 100 DD COVER	100	1,2	0,259	3103058
040 UKFG 200 DD COVER	200	1,2	0,495	3103059
040 UKFG 300 DD COVER	300	1,2	0,732	3103060
050 UKFG 100 DD COVER	100	1,2	0,275	3103061
050 UKFG 200 DD COVER	200	1,2	0,527	3103062
050 UKFG 300 DD COVER	300	1,2	0,778	3103063
050 UKFG 400 DD COVER	400	1,2	1,029	3103064
050 UKFG 500 DD COVER	500	1,2	1,280	3103065
050 UKFG 600 DD COVER	600	1,2	1,531	3103066
060 UKFG 100 DD COVER	100	1,2	0,292	3103067
060 UKFG 200 DD COVER	200	1,2	0,558	3103068
060 UKFG 300 DD COVER	300	1,2	0,823	3103069
060 UKFG 400 DD COVER	400	1,2	1,089	3103070
060 UKFG 500 DD COVER	500	1,2	1,355	3103071
060 UKFG 600 DD COVER	600	1,2	1,621	3103072



- Please indicate order code in your orders.
- Please contact us for special dimensions.
- Material weights may vary by  $\pm 10\%$

■ All dimensions are given as in mm

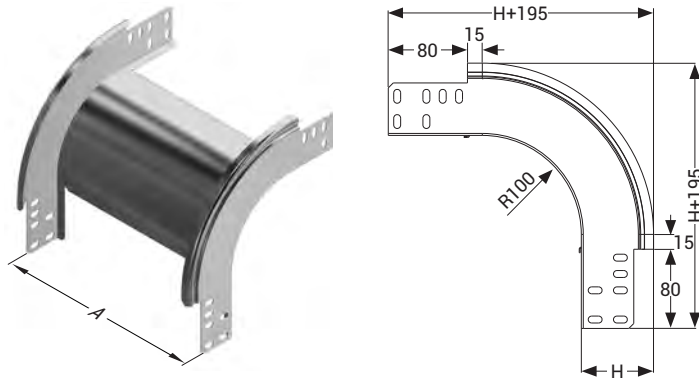
- PG= Pre-Galvanized
- HDG= Hot Dip Galvanized

## ►► BENDS

### ► UKFG DD Vertical Outside Bend (90°)

Pre-Galvanized (TS EN 10346 - TS EN 10143)

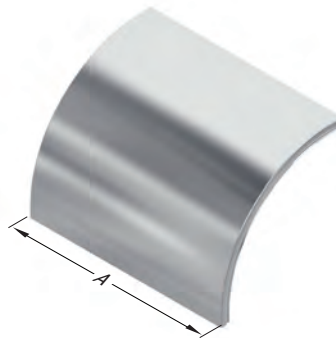
Description	H (mm)	A (mm)	T (mm)	Weight (kg/pcs)	PG Code
075 UKFG 100 DD	75	100	1	0,634	3254444
075 UKFG 200 DD	75	200	1	0,791	3254445
075 UKFG 300 DD	75	300	1	0,948	3254446
075 UKFG 400 DD	75	400	1	1,105	3254447
075 UKFG 500 DD	75	500	1	1,262	3254448
075 UKFG 600 DD	75	600	1	1,418	3254449
100 UKFG 100 DD	100	100	1	0,822	3254450
100 UKFG 200 DD	100	200	1	0,979	3254451
100 UKFG 300 DD	100	300	1	1,136	3254452
100 UKFG 400 DD	100	400	1	1,293	3254453
100 UKFG 500 DD	100	500	1	1,450	3254454
100 UKFG 600 DD	100	600	1	1,606	3254455



### ► UKFG DD Vertical Outside Bend (90°) Cover

Pre-Galvanized (TS EN 10346 - TS EN 10143)

Description	A (mm)	T (mm)	Weight (kg/pcs)	PG Code
075 UKFG 100 DD COVER	100	1	0,297	3254456
075 UKFG 200 DD COVER	200	1	0,535	3254457
075 UKFG 300 DD COVER	300	1	0,772	3254458
075 UKFG 400 DD COVER	400	1	1,010	3254459
075 UKFG 500 DD COVER	500	1	1,247	3254460
075 UKFG 600 DD COVER	600	1	1,485	3254461
100 UKFG 100 DD COVER	100	1	0,336	3254462
100 UKFG 200 DD COVER	200	1	0,604	3254463
100 UKFG 300 DD COVER	300	1	0,873	3254464
100 UKFG 400 DD COVER	400	1	1,141	3254465
100 UKFG 500 DD COVER	500	1	1,409	3254466
100 UKFG 600 DD COVER	600	1	1,678	3254467



- Please indicate order code in your orders.
- Please contact us for special dimensions.
- Material weights may vary by ± 10%

■ All dimensions are given as in mm

- PG= Pre-Galvanized
- HDG= Hot Dip Galvanized

## ►► REDUCTION FITTING

### ► UKFG REDUCTION

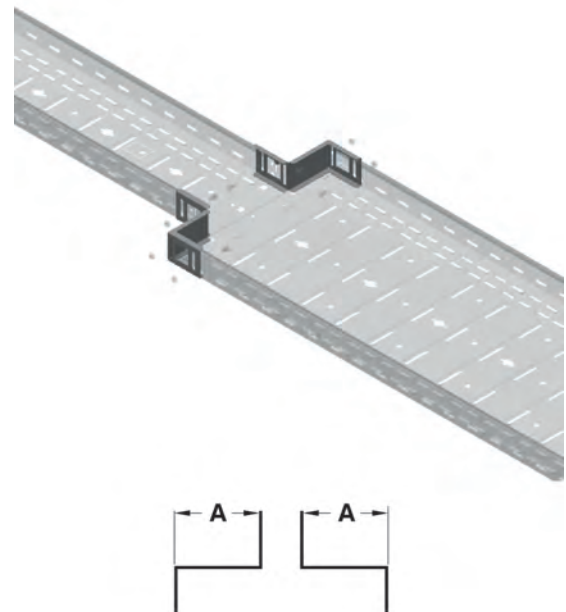
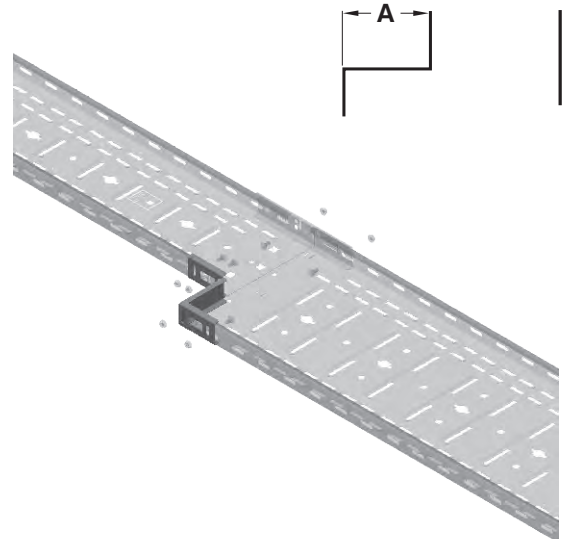
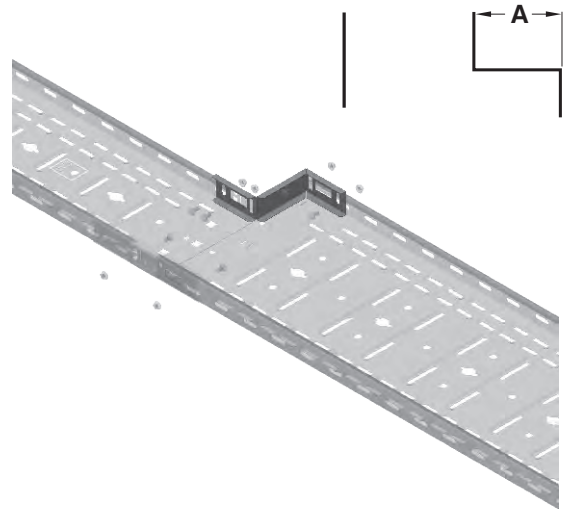
Pre-Galvanized (TS EN 10346 - TS EN 10143)

Description	H (mm)	A (mm)	T (mm)	Weight (kg/pcs)	PG Code
040 UKFG 050 RD	40	50	1,2	0,179	3103088
040 UKFG 100 RD	40	100	1,2	0,207	3103089
040 UKFG 150 RD	40	150	1,2	0,236	3103090
040 UKFG 200 RD	40	200	1,2	0,264	3103091
040 UKFG 250 RD	40	250	1,2	0,293	3103092
040 UKFG 300 RD	40	300	1,2	0,321	3103093
050 UKFG 050 RD	50	50	1,2	0,199	3103094
050 UKFG 100 RD	50	100	1,2	0,232	3103095
050 UKFG 150 RD	50	150	1,2	0,266	3103096
050 UKFG 200 RD	50	200	1,2	0,299	3103097
050 UKFG 250 RD	50	250	1,2	0,332	3103098
050 UKFG 300 RD	50	300	1,2	0,365	3103099
060 UKFG 050 RD	60	50	1,2	0,237	3103100
060 UKFG 100 RD	60	100	1,2	0,275	3103101
060 UKFG 150 RD	60	150	1,2	0,313	3103102
060 UKFG 200 RD	60	200	1,2	0,351	3103103
060 UKFG 250 RD	60	250	1,2	0,389	3103104
060 UKFG 300 RD	60	300	1,2	0,427	3103105

### ► UKFG Middle Reduction Fitting

Pre-Galvanized (TS EN 10346 - TS EN 10143)

Description	H (mm)	A (mm)	T (mm)	Weight (kg/pcs)	PG Code
040 UKFG 050 RD	40	50	1,2	0,200	3103106
040 UKFG 100 RD	40	100	1,2	0,256	3103107
040 UKFG 150 RD	40	150	1,2	0,314	3103108
040 UKFG 200 RD	40	200	1,2	0,370	3103109
040 UKFG 250 RD	40	250	1,2	0,428	3103110
040 UKFG 300 RD	40	300	1,2	0,484	3103111
050 UKFG 050 RD	50	50	1,2	0,220	3103112
050 UKFG 100 RD	50	100	1,2	0,286	3103113
050 UKFG 150 RD	50	150	1,2	0,354	3103114
050 UKFG 200 RD	50	200	1,2	0,420	3103115
050 UKFG 250 RD	50	250	1,2	0,486	3103116
050 UKFG 300 RD	50	300	1,2	0,552	3103117
060 UKFG 050 RD	60	50	1,2	0,240	3103118
060 UKFG 100 RD	60	100	1,2	0,316	3103119
060 UKFG 150 RD	60	150	1,2	0,392	3103120
060 UKFG 200 RD	60	200	1,2	0,468	3103121
060 UKFG 250 RD	60	250	1,2	0,544	3103122
060 UKFG 300 RD	60	300	1,2	0,620	3103123



- Please indicate order code in your orders.
- Please contact us for special dimensions.
- Material weights may vary by ± 10%

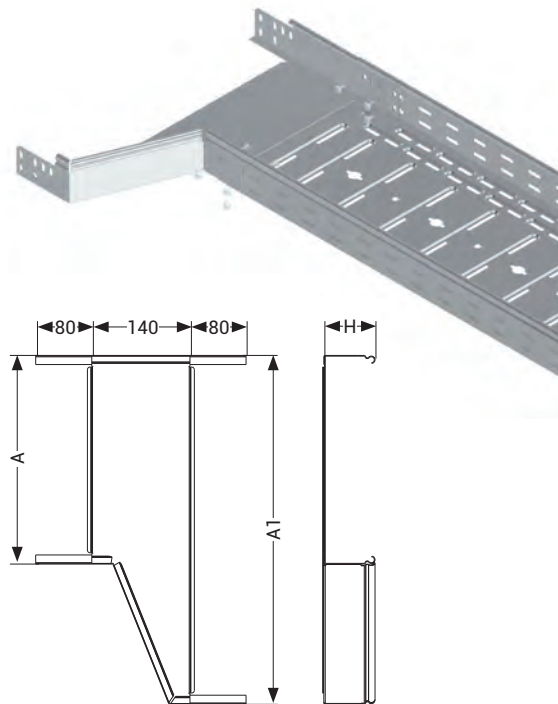
■ All dimensions are given as in mm

- PG= Pre-Galvanized
- HDG= Hot Dip Galvanized

## ►► UKFG LEFT-HAND REDUCTION FITTING

Pre-Galvanized (TS EN 10346 - TS EN 10143)

Description	H (mm)	A (mm)	A1 (mm)	L (mm)	T (mm)	Weight (kg/pcs)	PG Code
075 UKFG RD(100-200)	75	100	200	90	1	0,446	3254569
075 UKFG RD(100-300)	75	100	300	140	1	0,685	3254570
075 UKFG RD(200-300)	75	200	300	90	1	0,529	3254571
075 UKFG RD(200-400)	75	200	400	140	1	0,807	3254572
075 UKFG RD(300-400)	75	200	500	90	1	0,956	3254573
075 UKFG RD(200-500)	75	300	400	190	1	0,779	3254574
075 UKFG RD(300-500)	75	300	500	140	1	0,929	3254575
075 UKFG RD(400-500)	75	300	600	90	1	1,118	3254576
075 UKFG RD(300-600)	75	400	500	190	1	0,862	3254577
075 UKFG RD(400-600)	75	400	600	140	1	1,051	3254578
075 UKFG RD(500-600)	75	500	600	90	1	0,777	3254579
100 UKFG RD(100-200)	100	100	200	90	1	0,559	3254580
100 UKFG RD(100-300)	100	100	300	140	1	0,829	3254581
100 UKFG RD(200-300)	100	200	300	90	1	0,642	3254582
100 UKFG RD(200-400)	100	200	400	140	1	0,951	3254583
100 UKFG RD(300-400)	100	200	500	90	1	0,994	3254584
100 UKFG RD(200-500)	100	300	400	190	1	1,030	3254585
100 UKFG RD(300-500)	100	300	500	140	1	1,073	3254586
100 UKFG RD(400-500)	100	300	600	90	1	1,251	3254587
100 UKFG RD(300-600)	100	400	500	190	1	1,018	3254588
100 UKFG RD(400-600)	100	400	600	140	1	1,195	3254589
100 UKFG RD(500-600)	100	500	600	90	1	0,890	3254590

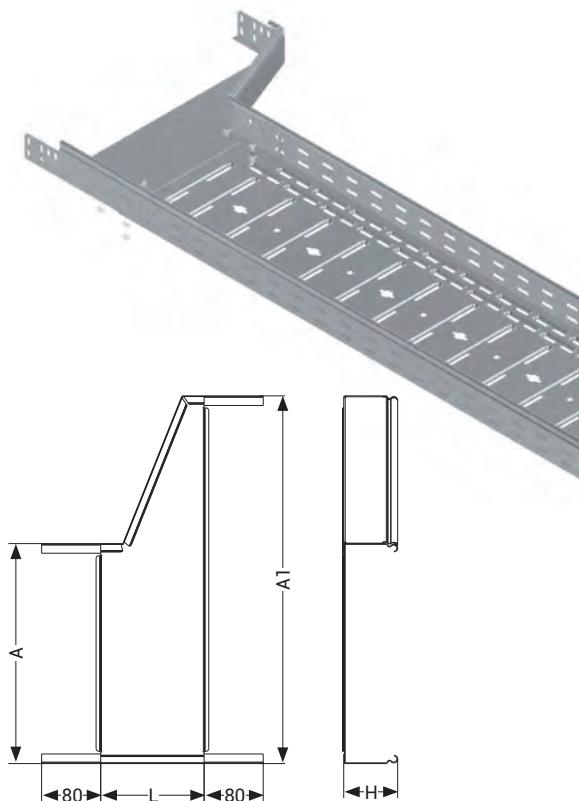


UK

## ► UKFG Right-Hand Reduction Fitting

Pre-Galvanized (TS EN 10346 - TS EN 10143)

Description	H (mm)	A (mm)	A1 (mm)	L (mm)	T (mm)	Weight (kg/pcs)	PG Code
075 UKFG RD(100-200)	75	100	200	90	1	0,446	3254547
075 UKFG RD(100-300)	75	100	300	140	1	0,685	3254548
075 UKFG RD(200-300)	75	200	300	90	1	0,529	3254549
075 UKFG RD(200-400)	75	200	400	140	1	0,807	3254550
075 UKFG RD(300-400)	75	200	500	90	1	0,956	3254551
075 UKFG RD(200-500)	75	300	400	190	1	0,779	3254552
075 UKFG RD(300-500)	75	300	500	140	1	0,929	3254553
075 UKFG RD(400-500)	75	300	600	90	1	1,118	3254554
075 UKFG RD(300-600)	75	400	500	190	1	0,862	3254555
075 UKFG RD(400-600)	75	400	600	140	1	1,051	3254556
075 UKFG RD(500-600)	75	500	600	90	1	0,777	3254557
100 UKFG RD(100-200)	100	100	200	90	1	0,559	3254558
100 UKFG RD(100-300)	100	100	300	140	1	0,829	3254559
100 UKFG RD(200-300)	100	200	300	90	1	0,642	3254560
100 UKFG RD(200-400)	100	200	400	140	1	0,951	3254561
100 UKFG RD(300-400)	100	200	500	90	1	0,994	3254562
100 UKFG RD(200-500)	100	300	400	190	1	1,030	3254563
100 UKFG RD(300-500)	100	300	500	140	1	1,073	3254564
100 UKFG RD(400-500)	100	300	600	90	1	1,251	3254565
100 UKFG RD(300-600)	100	400	500	190	1	1,018	3254566
100 UKFG RD(400-600)	100	400	600	140	1	1,195	3254567
100 UKFG RD(500-600)	100	500	600	90	1	0,89	3254568



- Please indicate order code in your orders.
- Please contact us for special dimensions.
- Material weights may vary by ± 10%

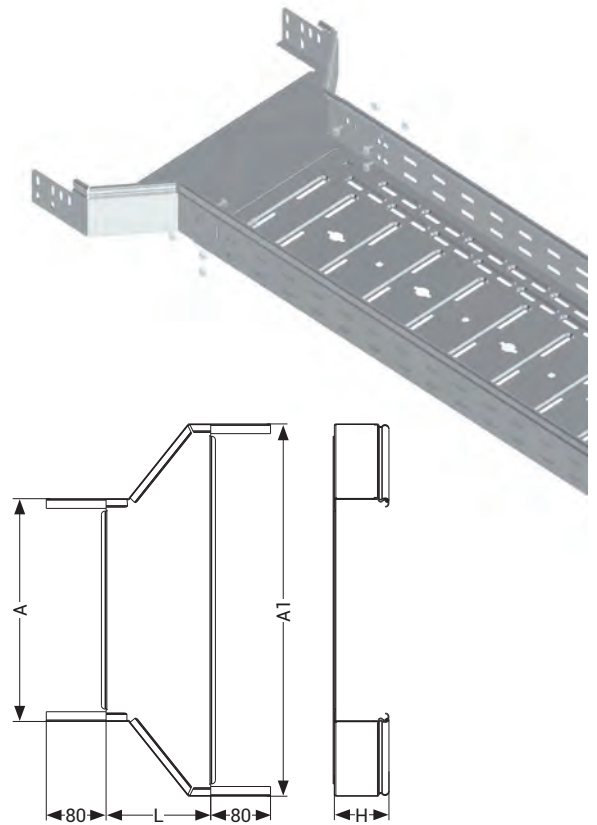
■ All dimensions are given as in mm

- PG= Pre-Galvanized
- HDG= Hot Dip Galvanized

## ►► UKFG MIDDLE REDUCTION FITTING

Pre-Galvanized (TS EN 10346 - TS EN 10143)

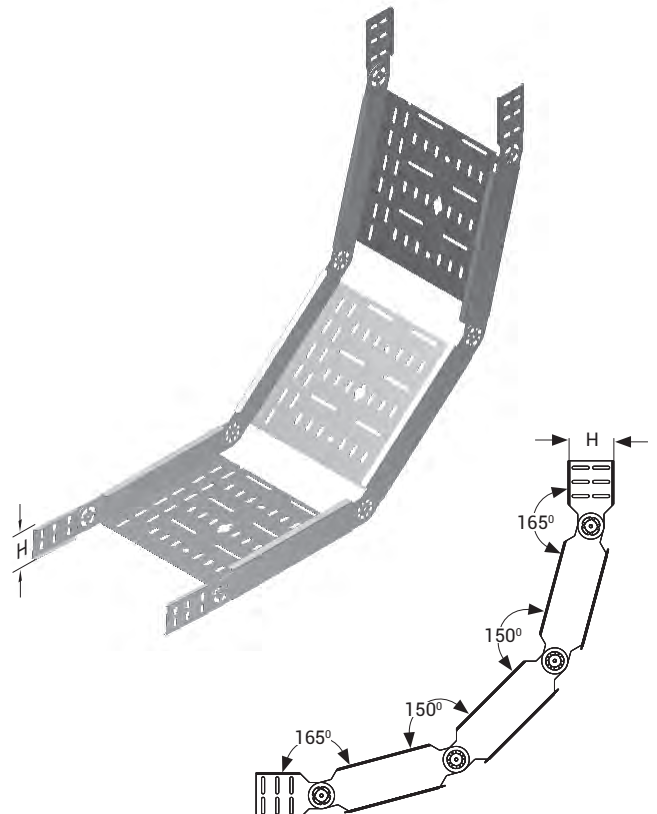
Description	H (mm)	A (mm)	A1 (mm)	L (mm)	T (mm)	Weight (kg/pcs)	PG Code
075 UKFG RD(100-200)	75	100	200	90	1	0,430	3254525
075 UKFG RD(100-300)	75	100	300	140	1	0,653	3254526
075 UKFG RD(200-300)	75	200	300	90	1	0,513	3254527
075 UKFG RD(200-400)	75	200	400	140	1	0,775	3254528
075 UKFG RD(300-400)	75	200	500	90	1	0,595	3254529
075 UKFG RD(200-500)	75	300	400	190	1	1,077	3254530
075 UKFG RD(300-500)	75	300	500	140	1	0,897	3254531
075 UKFG RD(400-500)	75	300	600	90	1	0,678	3254532
075 UKFG RD(300-600)	75	400	500	190	1	1,238	3254533
075 UKFG RD(400-600)	75	400	600	140	1	1,019	3254534
075 UKFG RD(500-600)	75	500	600	90	1	0,761	3254535
100 UKFG RD(100-200)	100	100	200	90	1	0,538	3254536
100 UKFG RD(100-300)	100	100	300	140	1	0,789	3254537
100 UKFG RD(200-300)	100	200	300	90	1	0,621	3254538
100 UKFG RD(200-400)	100	200	400	140	1	0,911	3254539
100 UKFG RD(300-400)	100	200	500	90	1	0,703	3254540
100 UKFG RD(200-500)	100	300	400	190	1	1,241	3254541
100 UKFG RD(300-500)	100	300	500	140	1	1,033	3254542
100 UKFG RD(400-500)	100	300	600	90	1	0,786	3254543
100 UKFG RD(300-600)	100	400	500	190	1	1,402	3254544
100 UKFG RD(400-600)	100	400	600	140	1	1,155	3254545
100 UKFG RD(500-600)	100	500	600	90	1	0,869	3254546



## ► UKFG Level Adaptation Bend

Pre-Galvanized (TS EN 10346 - TS EN 10143)

Description	H (mm)	A (mm)	T (mm)	Weight (kg/pcs)	PG Code
040 UKFG 100 SDM	40	100	1,2	1,805	3103073
040 UKFG 200 SDM	40	200	1,2	2,354	3103074
040 UKFG 300 SDM	40	300	1,2	2,900	3103075
050 UKFG 100 SDM	50	100	1,2	2,033	3103076
050 UKFG 200 SDM	50	200	1,2	2,582	3103077
050 UKFG 300 SDM	50	300	1,2	3,128	3103078
050 UKFG 400 SDM	50	400	1,2	3,683	3103079
050 UKFG 500 SDM	50	500	1,2	4,223	3103080
050 UKFG 600 SDM	50	600	1,2	4,778	3103081
060 UKFG 100 SDM	60	100	1,2	2,295	3103082
060 UKFG 200 SDM	60	200	1,2	2,844	3103083
060 UKFG 300 SDM	60	300	1,2	3,390	3103084
060 UKFG 400 SDM	60	400	1,2	3,945	3103085
060 UKFG 500 SDM	60	500	1,2	4,485	3103086
060 UKFG 600 SDM	60	600	1,2	5,040	3103087



- Please indicate order code in your orders.
- Please contact us for special dimensions.
- Material weights may vary by ± 10%

■ All dimensions are given as in mm

- PG= Pre-Galvanized
- HDG= Hot Dip Galvanized



## ►► UKFG JOINT FITTINGS

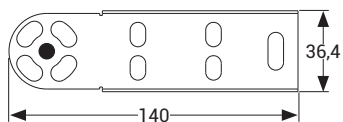
### ► UKFG Level Adaptation Joint Set

Pre-Galvanized (TS EN 10346 - TS EN 10143)

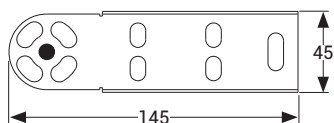
Description	A (mm)	T (mm)	Weight (kg/pcs)	PG Code
040 UKFG SDE	40	1,2	0,224	3103124
050 UKFG SDE	50	1,2	0,284	3103125
060 UKFG SDE	60	1,2	0,360	3103126



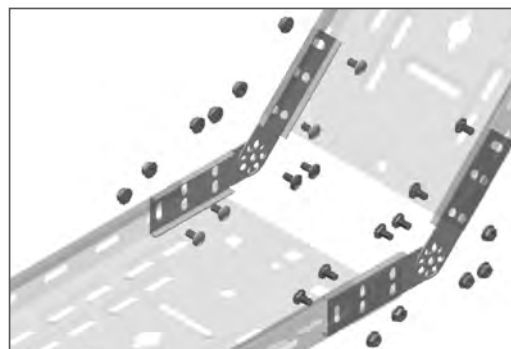
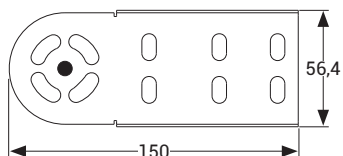
040 UKFG - SDE



050 UKFG - SDE



060 UKFG - SDE

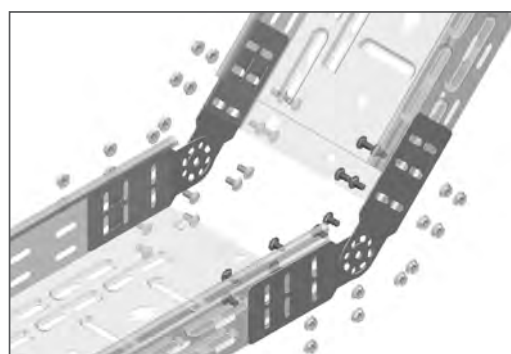
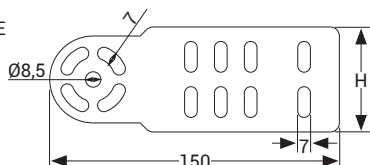


Includes: 4 Units of Level Adaptation Joint,  
4 Units of M6x12 Bolts, 4 Units of M6 Bolt Nuts.

Description	A (mm)	T (mm)	Weight (kg/pcs)	PG Code
075 UKFG SDE	75	1,2	0,304	3254591
100 UKFG SDE	100	1,2	0,376	3254592



075 UKFG - SDE



Includes: 4 Units of Level Adaptation Joint,  
4 Units of M6x12 Bolts, 4 Units of M6 Bolt Nuts.

- Please indicate order code in your orders.
- Please contact us for special dimensions.
- Material weights may vary by ± 10%

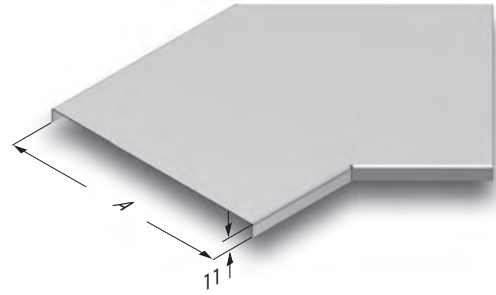
■ All dimensions are given as in mm

- PG= Pre-Galvanized
- HDG= Hot Dip Galvanized

## ►► BEND COVER

### ► UKK Horizontal Degree Bend (45°) Pre-Galvanized (TS EN 10346 - TS EN 10143)

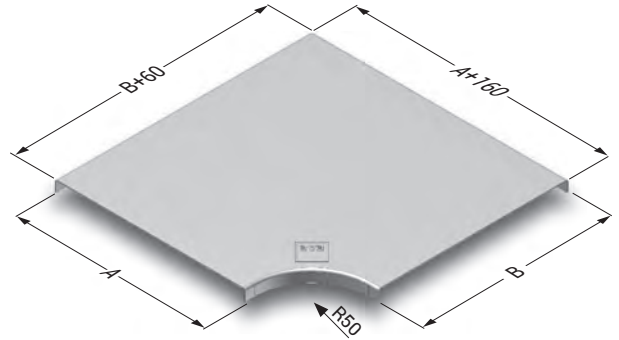
Description	A (mm)	T=1,2		T=1,5		T=2	
		Weight (kg/pcs)	PG Code	Weight (kg/pcs)	PG Code	Weight (kg/pcs)	PG Code
UKK 050 YD 45°	50	0,072	3273566	0,092	3273499	0,125	3273433
UKK 100 YD 45°	100	0,145	3273567	0,183	3273500	0,248	3273434
UKK 150 YD 45°	150	0,237	3273568	0,299	3273501	0,404	3273435
UKK 200 YD 45°	200	0,349	3273569	0,439	3273502	0,592	3273436
UKK 250 YD 45°	250	0,481	3273570	0,604	3273503	0,812	3273437
UKK 300 YD 45°	300	0,632	3273571	0,793	3273504	1,065	3273438
UKK 400 YD 45°	400	0,992	3273572	1,245	3273505	1,668	3273439
UKK 500 YD 45°	500	1,431	3273573	1,794	3273506	2,402	3273440
UKK 600 YD 45°	600	1,947	3273574	2,440	3273507	3,265	3273441



### ► UKK Horizontal Degree Bend (90°) R=50

Pre-Galvanized (TS EN 10346 - TS EN 10143)

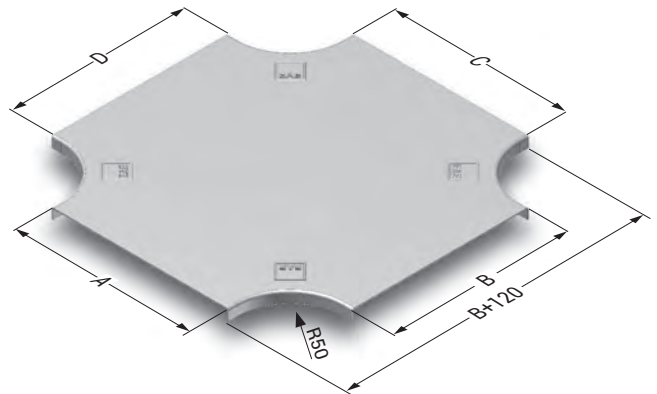
Description	AB (mm)	T=1,2		T=1,5		T=2	
		Weight (kg/pcs)	PG Code	Weight (kg/pcs)	PG Code	Weight (kg/pcs)	PG Code
UKK 050 YD 90°	50	0,121	3008347	0,151	3273909	0,202	3273973
UKK 100 YD 90°	100	0,259	3008346	0,324	3273910	0,434	3273974
UKK 150 YD 90°	150	0,445	3008345	0,556	3273911	0,743	3273975
UKK 200 YD 90°	200	0,677	3008344	0,847	3273912	1,131	3273976
UKK 250 YD 90°	250	0,957	3008343	1,197	3273913	1,598	3273977
UKK 300 YD 90°	300	1,284	3008342	1,606	3273914	2,143	3273978
UKK 400 YD 90°	400	2,079	3008341	2,600	3273915	3,469	3273979
UKK 500 YD 90°	500	3,062	3008340	3,829	3273916	5,109	3273980
UKK 600 YD 90°	600	4,234	3001735	5,294	3273917	7,062	3273981



### ► UKK Cross Over Bend Cover R=50

Pre-Galvanized (TS EN 10346 - TS EN 10143)

Description	ABCD (mm)	T=1,2		T=1,5		T=2	
		Weight (kg/pcs)	PG Code	Weight (kg/pcs)	PG Code	Weight (kg/pcs)	PG Code
UKK 050 AD	50	0,200	3008363	0,250	3272473	0,334	3272537
UKK 100 AD	100	0,384	3008362	0,480	3272474	0,640	3272538
UKK 150 AD	150	0,614	3008361	0,768	3272475	1,024	3272539
UKK 200 AD	200	0,892	3008360	1,115	3272476	1,488	3272540
UKK 250 AD	250	1,217	3008359	1,522	3272477	2,029	3272541
UKK 300 AD	300	1,589	3008358	1,987	3272478	2,649	3272542
UKK 400 AD	400	2,475	3008357	3,094	3272479	4,125	3272543
UKK 500 AD	500	3,549	3008356	4,436	3272480	5,195	3272544
UKK 600 AD	600	4,811	3001737	6,014	3272481	8,019	3272545



■ Please contact your representative for inquiries regarding stainless steel alternatives.

■ Please indicate order code in your orders.

■ Please contact us for special dimensions.

■ Material weights may vary by ± 10%

■ All dimensions are given as in mm

■ PG= Pre-Galvanized

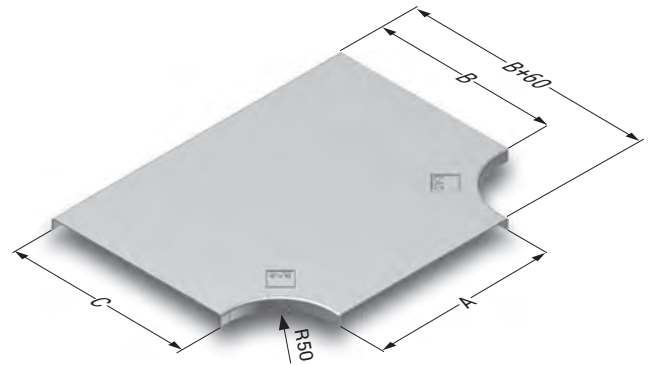
■ HDG= Hot Dip Galvanized

## ►► BEND COVER

### ► UKK YT Tee Bend Cover R=50

Pre-Galvanized (TS EN 10346 - TS EN 10143)

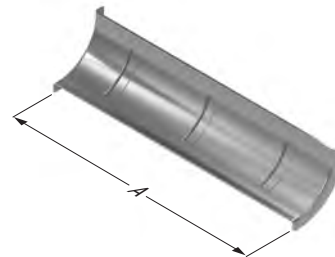
Description	ABC (mm)	T=1,2		T=1,5		T=2	
		Weight (kg/pcs)	PG Code	Weight (kg/pcs)	PG Code	Weight (kg/pcs)	PG Code
UKK 050 YT	50	0,160	3008355	0,200	3274085	0,266	3274149
UKK 100 YT	100	0,322	3008354	0,402	3274086	0,535	3274150
UKK 150 YT	150	0,530	3008353	0,662	3274087	0,882	3274151
UKK 200 YT	200	0,786	3008352	0,982	3274088	1,308	3274152
UKK 250 YT	250	1,089	3008351	1,360	3274089	1,812	3274153
UKK 300 YT	300	1,438	3008350	1,797	3274090	2,394	3274154
UKK 400 YT	400	2,284	3008349	2,854	3274091	3,803	3274155
UKK 500 YT	500	3,320	3008348	4,149	3274092	5,529	3274156
UKK 600 YT	600	4,540	3001736	5,674	3274093	7,561	3274157



### ► UKK Vertical Inside Bend (90°)

Pre-Galvanized (TS EN 10346 - TS EN 10143)

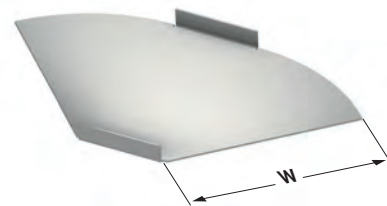
Description	A (mm)	T=1,2		T=1,5		T=2	
		Weight (kg/pcs)	PG Code	Weight (kg/pcs)	PG Code	Weight (kg/pcs)	PG Code
UKK 050 ID	50	0,061	3194643	0,076	3273324	0,101	3273260
UKK 100 ID	100	0,102	3194645	0,127	3273325	0,168	3273261
UKK 150 ID	150	0,142	3194646	0,177	3273326	0,234	3273262
UKK 200 ID	200	0,182	3194647	0,227	3273327	0,301	3273263
UKK 250 ID	250	0,222	3194648	0,277	3273328	0,367	3273264
UKK 300 ID	300	0,263	3194649	0,327	3273329	0,434	3273265
UKK 400 ID	400	0,343	3194650	0,428	3273330	0,567	3273266
UKK 500 ID	500	0,424	3194651	0,528	3273331	0,700	3273267
UKK 600 ID	600	0,505	3194652	0,628	3273332	0,833	3273268



### ► UK Flexible Bend Cover

Pre-Galvanized (TS EN 10346 - TS EN 10143)

Description	W (mm)	T (mm)	Weight (kg)	PG Code
100 UK Flexible Bend Cover	55	1	0,047	3246174
100 UK Flexible Bend Cover	105	1	0,115	3246175
150 UK Flexible Bend Cover	155	1	0,214	3253954
200 UK Flexible Bend Cover	205	1	0,344	3246176
300 UK Flexible Bend Cover	305	1,2	0,835	3246178
400 UK Flexible Bend Cover	405	1,2	1,406	3246179
500 UK Flexible Bend Cover	505	1,5	2,655	3246177
600 UK Flexible Bend Cover	605	1,5	3,738	3246180



### ► UKK Add-On Tee Cover

Pre-Galvanized (TS EN 10346 - TS EN 10143)

Description	A (mm)	T=1,2		T=1,5		T=2	
		Weight (kg/pcs)	PG Code	Weight (kg/pcs)	PG Code	Weight (kg/pcs)	PG Code
UKK 050 Add-On Tee Cover	50	0,088	3246190	0,110	3300887	0,147	3300896
UKK 100 Add-On Tee Cover	100	0,126	3246191	0,158	3300888	0,210	3300897
UKK 150 Add-On Tee Cover	150	0,163	3253979	0,204	3300889	0,272	3300898
UKK 200 Add-On Tee Cover	200	0,201	3300881	0,251	3300890	0,335	3300899
UKK 250 Add-On Tee Cover	250	0,239	3300882	0,299	3300891	0,398	3300900
UKK 300 Add-On Tee Cover	300	0,276	3300883	0,345	3300892	0,460	3300901
UKK 400 Add-On Tee Cover	400	0,352	3300884	0,440	3300893	0,587	3300902
UKK 500 Add-On Tee Cover	500	0,427	3300885	0,534	3300894	0,712	3300903
UKK 600 Add-On Tee Cover	600	0,502	3300886	0,628	3300895	0,837	3300904



- Please contact your representative for inquiries regarding stainless steel alternatives.
- Please indicate order code in your orders.
- Please contact us for special dimensions.
- Material weights may vary by ± 10%

■ All dimensions are given as in mm

- PG= Pre-Galvanized
- HDG= Hot Dip Galvanized

Description	A (mm)	T=1,2		T=2	
		Weight (kg/pcs)	PG Code	Weight (kg/pcs)	PG Code
40 UKK DD COVER 050	50	0,112	3274269	0,188	3272615
40 UKK DD COVER 100	100	0,188	3274270	0,314	3272616
40 UKK DD COVER 150	150	0,265	3274294	0,443	3272617
40 UKK DD COVER 200	200	0,341	3274295	0,569	3272618
40 UKK DD COVER 250	250	0,418	3274296	0,698	3272619
40 UKK DD COVER 300	300	0,494	3274297	0,825	3272620
40 UKK DD COVER 400	400	0,647	3274298	1,080	3272621
40 UKK DD COVER 500	500	0,800	3274299	1,335	3272622
40 UKK DD COVER 600	600	0,950	3274300	1,587	3272623
50 UKK DD COVER 050	50	0,124	3272819	0,207	3272624
50 UKK DD COVER 100	100	0,206	3272820	0,346	3272625
50 UKK DD COVER 150	150	0,292	3272821	0,487	3272626
50 UKK DD COVER 200	200	0,375	3272822	0,625	3272627
50 UKK DD COVER 250	250	0,460	3272823	0,767	3272628
50 UKK DD COVER 300	300	0,543	3272824	0,906	3272629
50 UKK DD COVER 400	400	0,711	3272825	1,186	3272630
50 UKK DD COVER 500	500	0,879	3272826	1,466	3272631
50 UKK DD COVER 600	600	1,044	3272827	1,743	3272632
60 UKK DD COVER 050	50	0,138	3359113	0,230	3359114
60 UKK DD COVER 100	100	0,225	3274301	0,376	3272633
60 UKK DD COVER 150	150	0,318	3274302	0,531	3272634
60 UKK DD COVER 200	200	0,408	3274303	0,681	3272635
60 UKK DD COVER 250	250	0,501	3274304	0,836	3272636
60 UKK DD COVER 300	300	0,591	3274305	0,987	3272637
60 UKK DD COVER 400	400	0,775	3274306	1,292	3272638
60 UKK DD COVER 500	500	0,958	3274307	1,597	3272639
60 UKK DD COVER 600	600	1,138	3274308	1,899	3272640
75 UKK DD COVER 100	100	0,253	3272828	0,423	3272641
75 UKK DD COVER 150	150	0,358	3272829	0,596	3272642
75 UKK DD COVER 200	200	0,459	3272830	0,765	3272643
75 UKK DD COVER 250	250	0,564	3272831	0,938	3272644
75 UKK DD COVER 300	300	0,665	3272832	1,108	3272645
75 UKK DD COVER 400	400	0,871	3272833	1,450	3272646
75 UKK DD COVER 500	500	1,076	3272834	1,793	3272647
75 UKK DD COVER 600	600	1,279	3272835	2,132	3272648
100 UKK DD COVER 100	100	0,300	3274309	0,500	3272649
100 UKK DD COVER 150	150	0,424	3274310	0,705	3272650
100 UKK DD COVER 200	200	0,543	3274311	0,906	3272651
100 UKK DD COVER 250	250	0,667	3274312	1,111	3272652
100 UKK DD COVER 300	300	0,787	3274313	1,311	3272653
100 UKK DD COVER 400	400	1,030	3274314	1,716	3272654
100 UKK DD COVER 500	500	1,274	3274315	2,121	3272655
100 UKK DD COVER 600	600	1,514	3274316	2,522	3272656



■ Please contact your representative for inquiries regarding stainless steel alternatives.

■ Please indicate order code in your orders.

■ Please contact us for special dimensions.

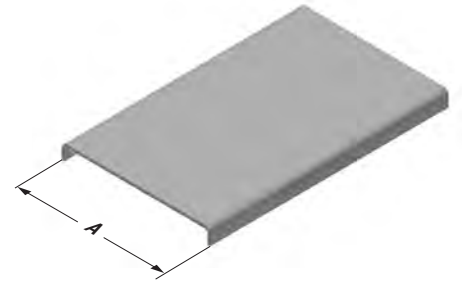
■ Material weights may vary by ± 10%

■ All dimensions are given as in mm

■ PG= Pre-Galvanized

■ HDG= Hot Dip Galvanized

Description	A (mm)	T=1,2		T=1,5		T=2	
		Weight (kg/pcs)	PG Code	Weight (kg/pcs)	PG Code	Weight (kg/pcs)	PG Code
040-050-060 UK SDM COVER 50	50	0,134	3301039	0,168	3301080	0,224	3253452
040-050-060 UK SDM COVER 100	100	0,229	3301040	0,286	3301081	0,381	3253453
040-050-060 UK SDM COVER 150	150	0,323	3301041	0,404	3301082	0,538	3253454
040-050-060 UK SDM COVER 200	200	0,417	3301042	0,521	3301083	0,695	3253455
040-050-060 UK SDM COVER 250	250	0,511	3301043	0,639	3301084	0,852	3253456
040-050-060 UK SDM COVER 300	300	0,605	3301044	0,757	3301085	1,009	3253457
040-050-060 UK SDM COVER 400	400	0,794	3301045	0,992	3301086	1,323	3253458
040-050-060 UK SDM COVER 500	500	0,982	3301046	1,228	3301087	1,637	3253459
040-050-060 UK SDM COVER 600	600	1,171	3301047	1,463	3301088	1,951	3253460
075 UK SDM COVER 100	100	0,194	3301048	0,243	3301089	0,324	3301097
075 UK SDM COVER 150	150	0,275	3301049	0,344	3301090	0,458	3301098
075 UK SDM COVER 200	200	0,355	3301050	0,443	3301091	0,591	3301099
075 UK SDM COVER 250	250	0,434	3301051	0,543	3301092	0,724	3301100
075 UK SDM COVER 300	300	0,515	3301052	0,644	3301093	0,858	3301101
075 UK SDM COVER 400	400	0,675	3301053	0,844	3301094	1,125	3301102
075 UK SDM COVER 500	500	0,835	3301054	1,044	3301095	1,392	3301103
075 UK SDM COVER 600	600	0,995	3301055	1,244	3301096	1,659	3301104
100 UK SDM COVER 100	100	0,172	3302028	0,215	3302036	0,286	3302044
100 UK SDM COVER 150	150	0,242	3302029	0,303	3302037	0,404	3302045
100 UK SDM COVER 200	200	0,313	3302030	0,391	3302038	0,521	3302046
100 UK SDM COVER 250	250	0,383	3302031	0,479	3302039	0,639	3302047
100 UK SDM COVER 300	300	0,454	3302032	0,568	3302040	0,757	3302048
100 UK SDM COVER 400	400	0,595	3302033	0,744	3302041	0,992	3302049
100 UK SDM COVER 500	500	0,737	3302034	0,921	3302042	1,228	3302050
100 UK SDM COVER 600	600	0,878	3302035	1,097	3302043	1,463	3302051

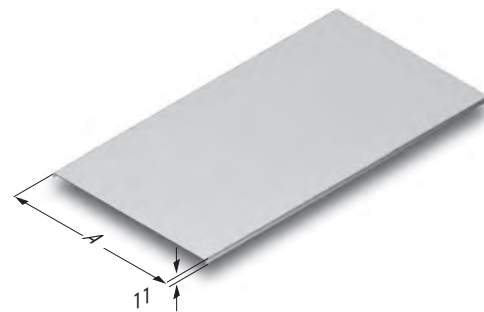


UK

### ► UKE TD Wall Mounted Bend Cover

Pre-Galvanized (TS EN 10346 - TS EN 10143)

Description	A (mm)	T (mm)	Weight (kg/pcs)	PG Code
UKE 50 TD COVER	50	1,2	0,104	3006661
UKE 100 TD COVER	100	1,2	0,233	3006660
UKE 150 TD COVER	150	1,2	0,409	3006659
UKE 200 TD COVER	200	1,2	0,632	3006658
UKE 250 TD COVER	250	1,2	0,773	3006657
UKE 300 TD COVER	300	1,2	0,915	3006656
UKE 400 TD COVER	400	1,2	1,197	3006655
UKE 500 TD COVER	500	1,2	1,480	3006654
UKE 600 TD COVER	600	1,2	1,762	3001732



■ Please contact your representative for inquiries regarding stainless steel alternatives.

■ Please indicate order code in your orders.

■ Please contact us for special dimensions.

■ Material weights may vary by ± 10%

■ All dimensions are given as in mm

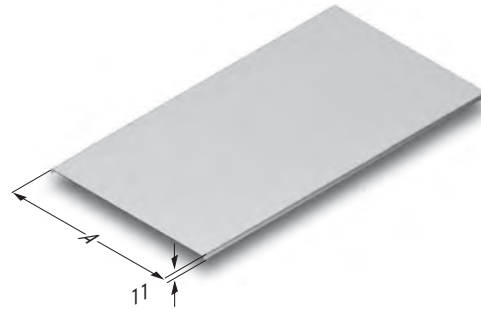
■ PG= Pre-Galvanized

■ HDG= Hot Dip Galvanized

## ►► BEND COVER

### ► UKE TO Centre Descent Bend Cover Pre-Galvanized (TS EN 10346 - TS EN 10143)

Description	H (mm)	A (mm)	T (mm)	Weight (kg/pcs)	PG Code
040 UKE 50 TO COVER	40	50	1,2	0,106	3008339
040 UKE 100 TO COVER	40	100	1,2	0,177	3008338
040 UKE 150 TO COVER	40	150	1,2	0,249	3008337
040 UKE 200 TO COVER	40	200	1,2	0,321	3008336
040 UKE 250 TO COVER	40	250	1,2	0,392	3008335
040 UKE 300 TO COVER	40	300	1,2	0,464	3008334
040 UKE 400 TO COVER	40	400	1,2	0,607	3008333
040 UKE 500 TO COVER	40	500	1,2	0,750	3008332
040 UKE 600 TO COVER	40	600	1,2	0,893	3001733
050 UKE 50 TO COVER	50	50	1,2	0,104	3300024
050 UKE 100 TO COVER	50	100	1,2	0,175	3300025
050 UKE 150 TO COVER	50	150	1,2	0,246	3300026
050 UKE 200 TO COVER	50	200	1,2	0,316	3300027
050 UKE 250 TO COVER	50	250	1,2	0,387	3300028
050 UKE 300 TO COVER	50	300	1,2	0,458	3300029
050 UKE 400 TO COVER	50	400	1,2	0,599	3300030
050 UKE 500 TO COVER	50	500	1,2	0,740	3300031
050 UKE 600 TO COVER	50	600	1,2	0,882	3300032
060 UKE 50 TO COVER	60	50	1,2	0,120	3005356
060 UKE 100 TO COVER	60	100	1,2	0,201	3005355
060 UKE 150 TO COVER	60	150	1,2	0,282	3005354
060 UKE 200 TO COVER	60	200	1,2	0,363	3005353
060 UKE 250 TO COVER	60	250	1,2	0,444	3005352
060 UKE 300 TO COVER	60	300	1,2	0,525	3005351
060 UKE 400 TO COVER	60	400	1,2	0,687	3005350
060 UKE 500 TO COVER	60	500	1,2	0,849	3005349
060 UKE 600 TO COVER	60	600	1,2	1,011	3001734
075 UKE 100 TO COVER	75	100	1,2	0,204	3300033
075 UKE 150 TO COVER	75	150	1,2	0,287	3300034
075 UKE 200 TO COVER	75	200	1,2	0,369	3300035
075 UKE 250 TO COVER	75	250	1,2	0,451	3300036
075 UKE 300 TO COVER	75	300	1,2	0,534	3300037
075 UKE 400 TO COVER	75	400	1,2	0,699	3300038
075 UKE 500 TO COVER	75	500	1,2	0,864	3300039
075 UKE 600 TO COVER	75	600	1,2	1,028	3300040
100 UKE 100 TO COVER	100	100	1,2	0,233	3300041
100 UKE 150 TO COVER	100	150	1,2	0,328	3300042
100 UKE 200 TO COVER	100	200	1,2	0,422	3300043
100 UKE 250 TO COVER	100	250	1,2	0,516	3300044
100 UKE 300 TO COVER	100	300	1,2	0,610	3300045
100 UKE 400 TO COVER	100	400	1,2	0,799	3300046
100 UKE 500 TO COVER	100	500	1,2	0,987	3300047
100 UKE 600 TO COVER	100	600	1,2	1,175	3300048



- Please contact your representative for inquiries regarding stainless steel alternatives.
- Please indicate order code in your orders.
- Please contact us for special dimensions.
- Material weights may vary by ± 10%

■ All dimensions are given as in mm

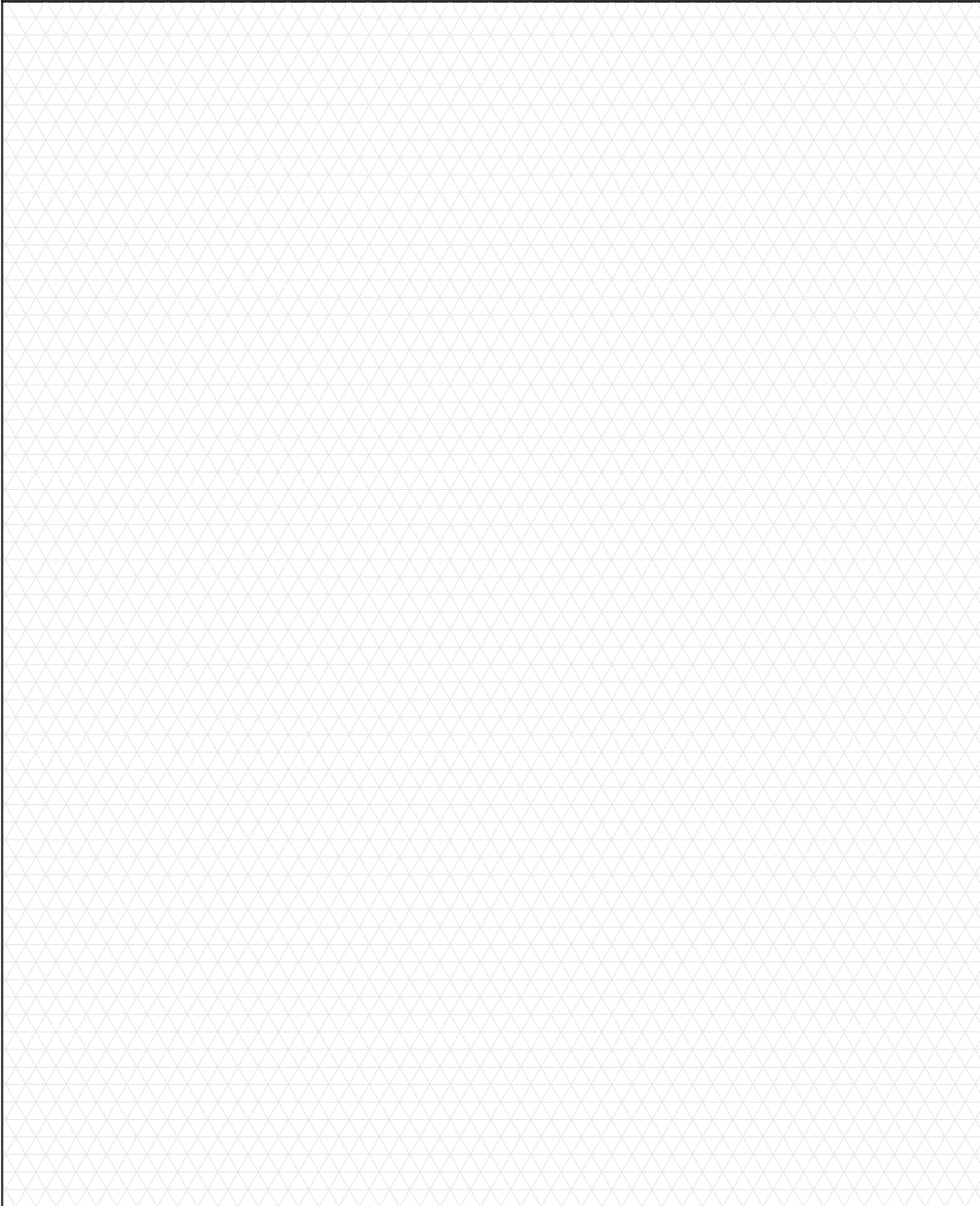

- PG= Pre-Galvanized
- HDG= Hot Dip Galvanized

## ▶▶ PROJECT DESIGN FORM

Item	Component List	Quantity	Company: Project: Project No:	Name : Date : Signature : Prepared by
<p>Please duplicate this page for your own use.</p>				

UK

## ▶▶ PROJECT DESIGN FORM

Component List	Item	Component	Quantity		
				Company: Project: Project No:	Name : Date : Signature : Prepared by
					

Please duplicate this page for your own use.